




Economy Round Shank Clamp Installation AA-9025

Go to www.tilmor.com/resources for complete parts list, additional resources and replacement part ordering.

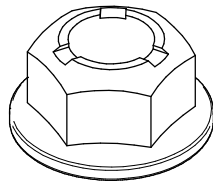
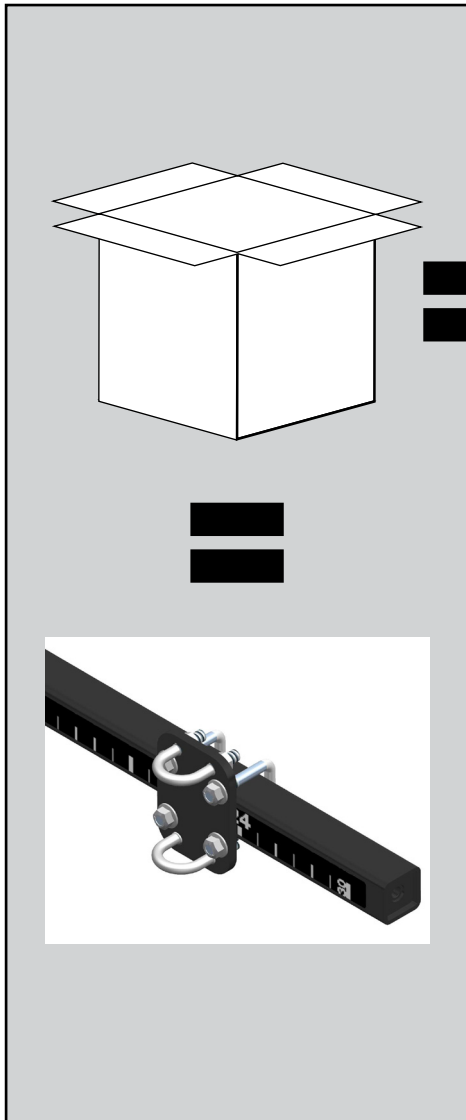
Release Date: 11/29/2018
Document Number: 12-70007
Revision Number: 00

ATTENTION
Review safety information before operation.

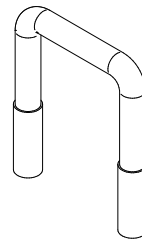
 Tools
3/4" wrench 3/4" socket Torque Wrench

Installation Time (estimated) 10 minutes

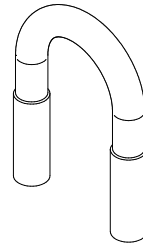
REQUIRED PARTS



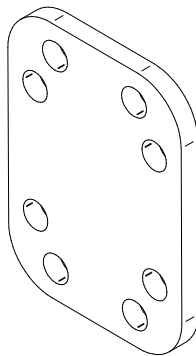
8x
99-E0103
1/2" Locking Flange
Nut



2x
11-0085
1/2" U-Bolt



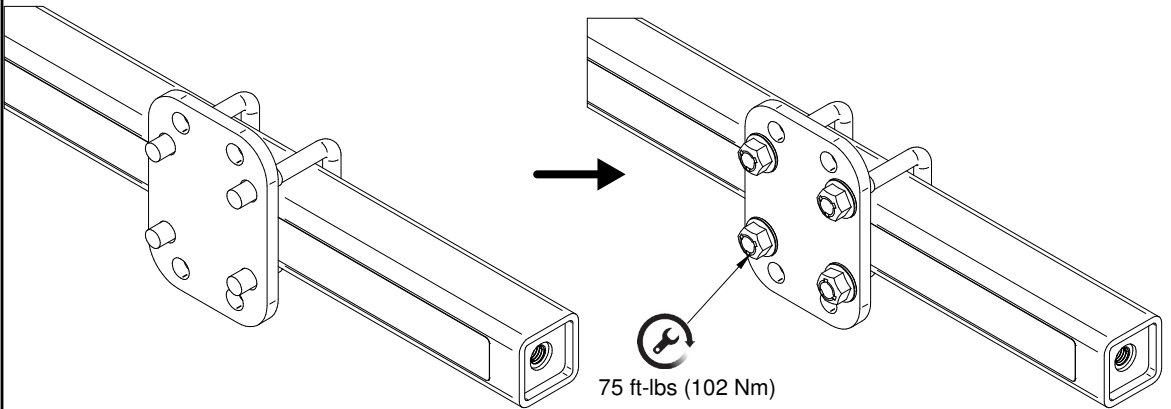
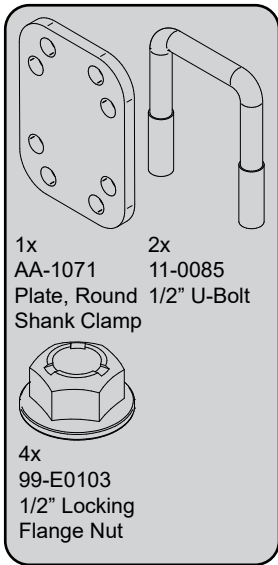
2x
11-0083
1/2" U-Bolt



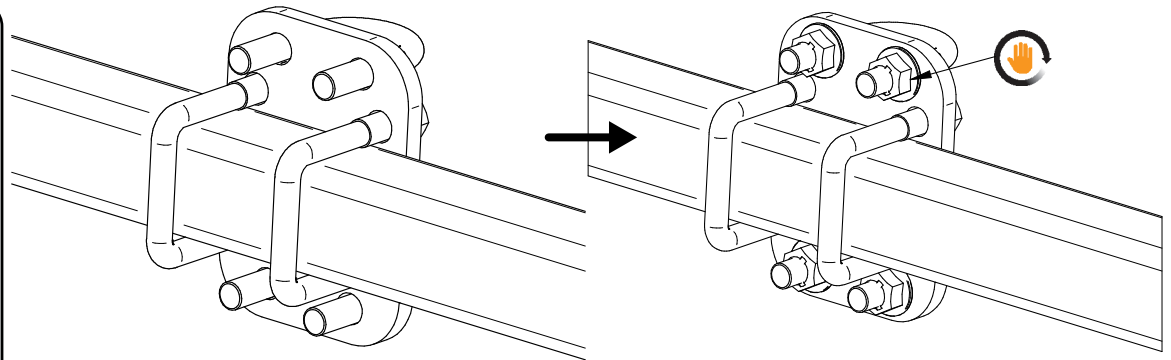
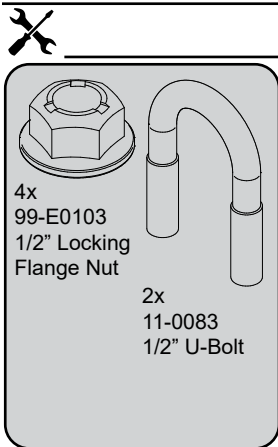
1x
AA-1071
Plate, Round Shank
Clamp

ASSEMBLY

 3/4" Socket, Torque Wrench



1



The 1/2" flange nut should be installed hand tight. When a shank is installed through the u-bolts the 1/2" flange nut should be torqued to 75 ft-lbs (102 Nm) to hold the shank in place.

2