





Kit, Clamp 2" to 2" Tube AA-9074

Go to www.tilmor.com/resources for complete parts list, additional resources and replacement part ordering.

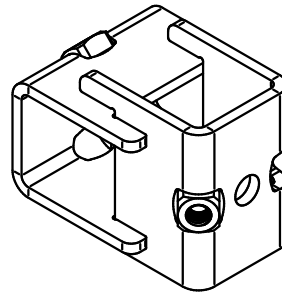
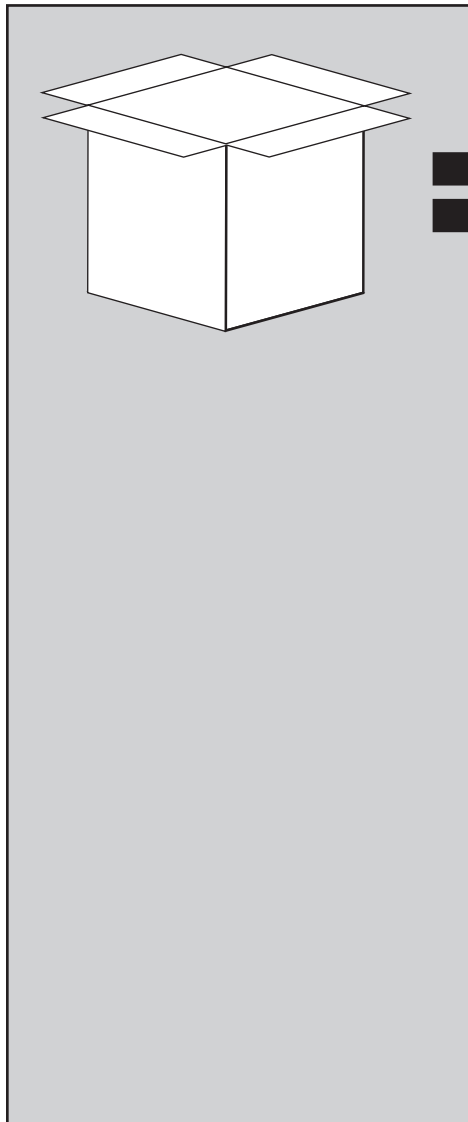
Release Date: 09/24/2019
Document Number: 12-70040
Revision Number: 00

 **ATTENTION**
Review safety information before operation.

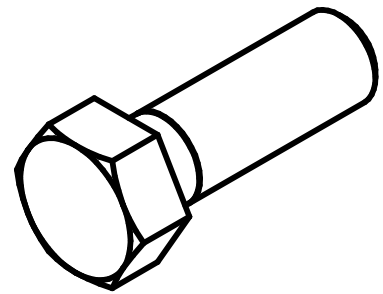
 Tools
3/4" Socket 3/4" Wrench

Installation Time (estimated) 15 minutes

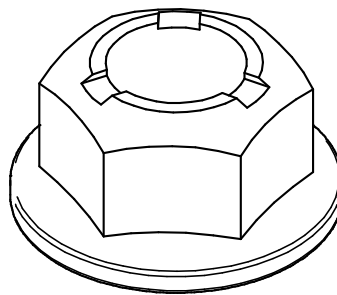
REQUIRED PARTS



1x
Bracket
2" Tube To 2" Tube
AA-6060




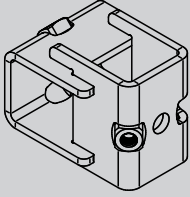
2x
Bolt
1/2 - 13 USS X 1-1/4
90-0810



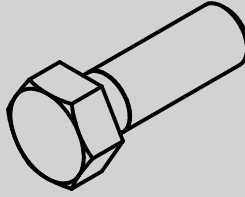
2x
Flange Nut
1/2 - 13 USS
99-SF08

ASSEMBLY

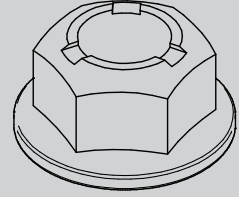
 3/4" Socket, 3/4" Wrench, Ratchet



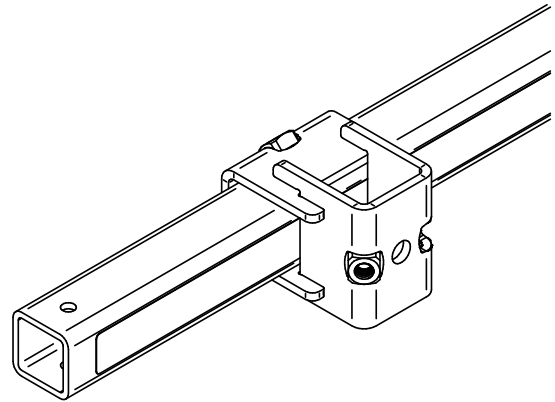
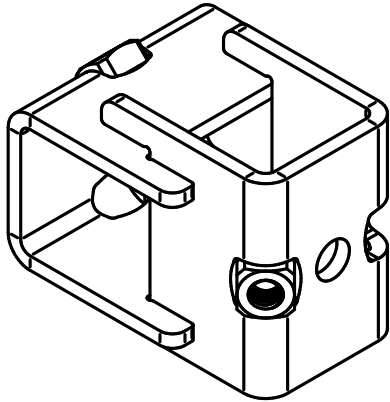
1x
Bracket
2" Tube To 2" Tube
AA-6060



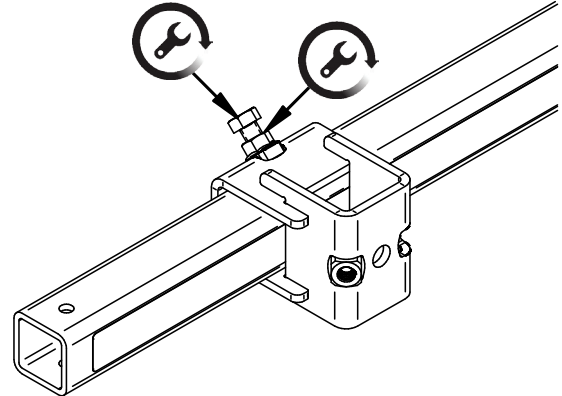
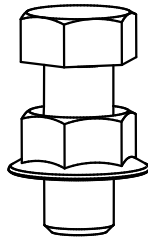
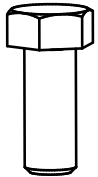
2x
Bolt
1/2 - 13 USS X 1-1/4
90-0810



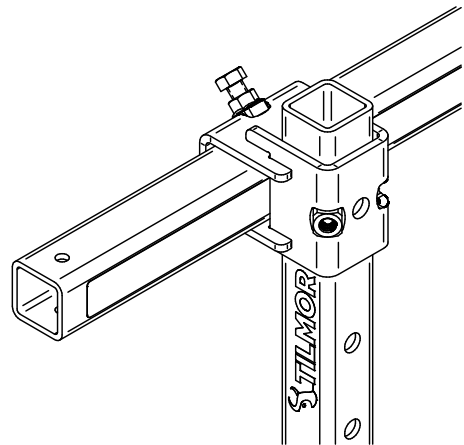
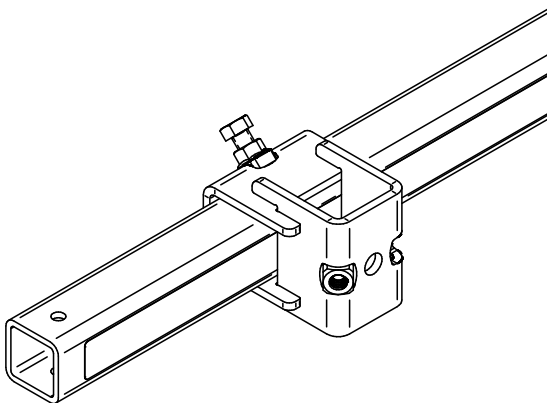
2x
Flange Nut
1/2 - 13 USS
99-SF08



1




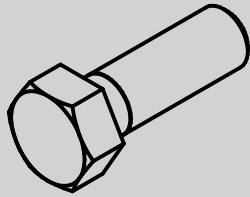
2



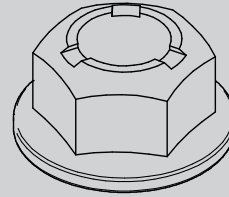
3

ASSEMBLY

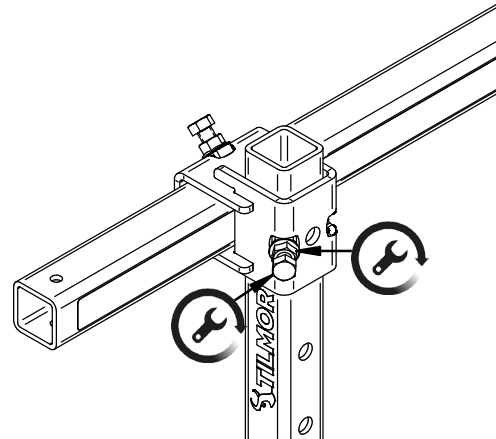
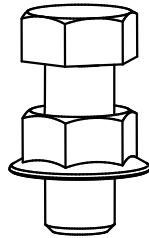
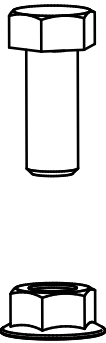
 3/4" Socket, 3/4" Wrench, Ratchet



2x
Bolt
1/2 - 13 USS X 1-1/4
90-0810



2x
Flange Nut
1/2 - 13 USS
99-SF08



4

