





# Kit, Clamp 1-1/2" to 1-1/2" Tube AA-9075

Go to [www.tilmor.com/resources](http://www.tilmor.com/resources) for complete parts list, additional resources and replacement part ordering.

Release Date: 09/24/2019  
Document Number: 12-70041  
Revision Number: 00

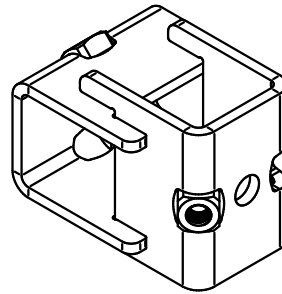
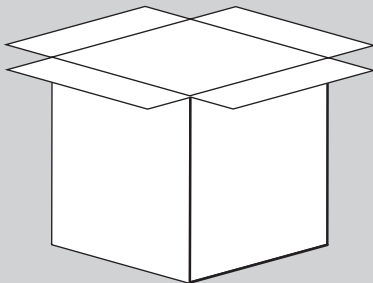
 **ATTENTION**  
Review safety information before operation.

 Tools
3/4" Socket 3/4" Wrench

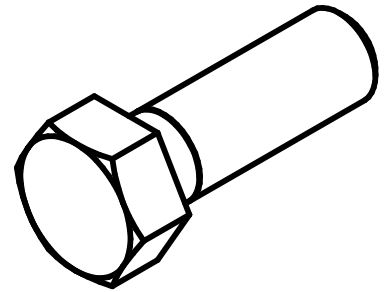
**Installation Time (estimated)**

**15 minutes**

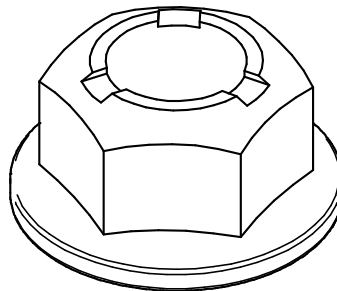
## REQUIRED PARTS



1x  
Bracket  
1-1/2" To 1/2" Tube  
AA-6061



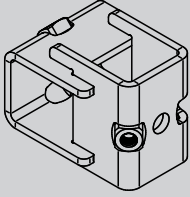
2x  
Bolt  
1/2 - 13 USS X 1-1/4  
90-0810



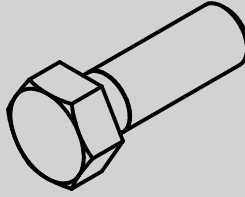
2x  
Flange Nut  
1/2 - 13 USS  
99-SF08

# ASSEMBLY

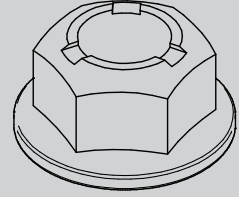
 3/4" Socket, 3/4 Wrench, Ratchet



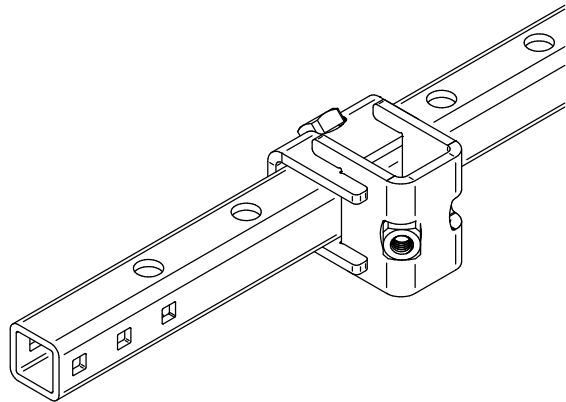
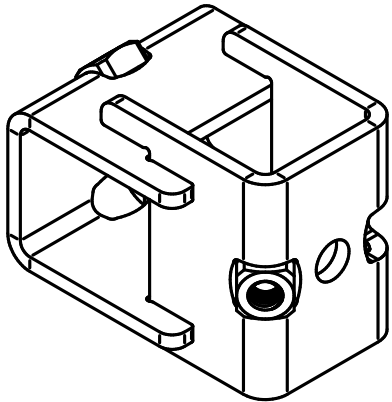
1x  
Bracket  
1/2" Tube To 1/2" Tube  
AA-6061



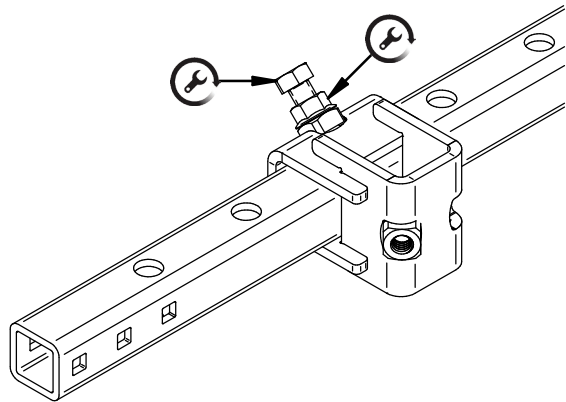
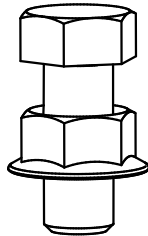
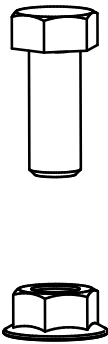
2x  
Bolt  
1/2 - 13 USS X 1-1/4  
90-0810



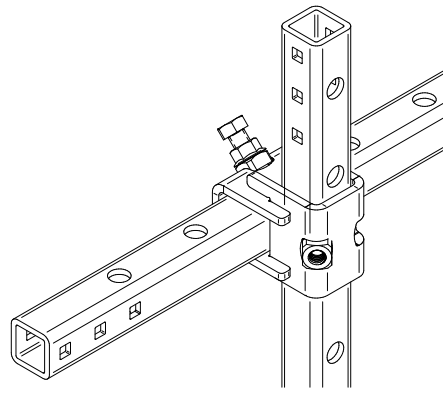
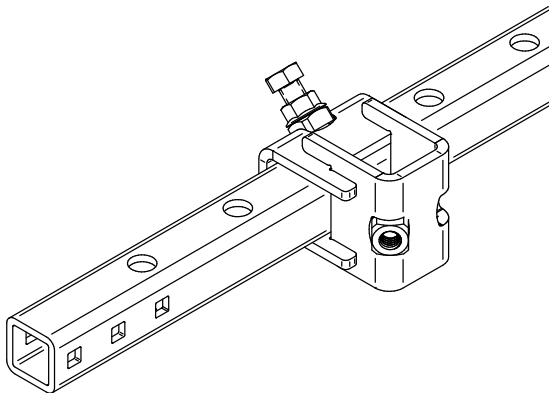
2x  
Flange Nut  
1/2 - 13 USS  
99-SF08



1




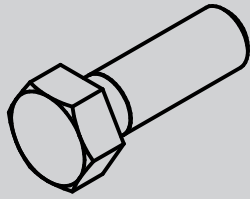
2



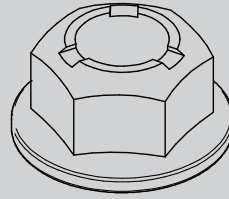
3

# ASSEMBLY

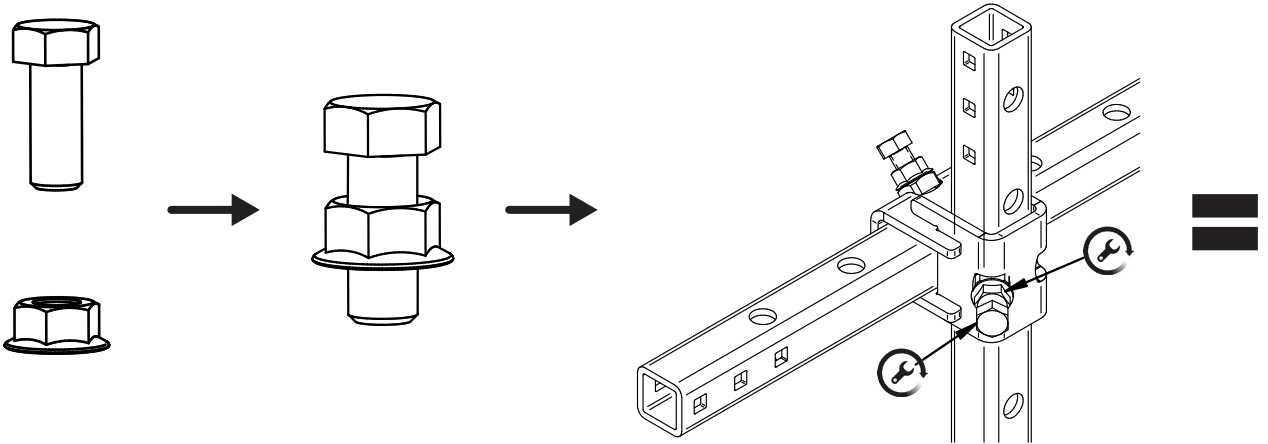
 3/4" Socket, 3/4 Wrench, Ratchet



2x  
Bolt  
1/2 - 13 USS X 1-1/4  
90-0810



2x  
Flange Nut  
1/2 - 13 USS  
99-SF08



4

