





Kit, Clamp 2" to 1-1/2" Tube AA-9076

Go to www.tilmor.com/resources for complete parts list, additional resources and replacement part ordering.

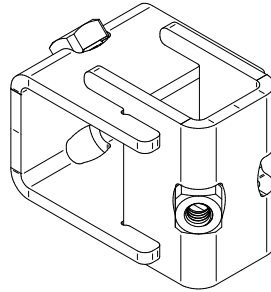
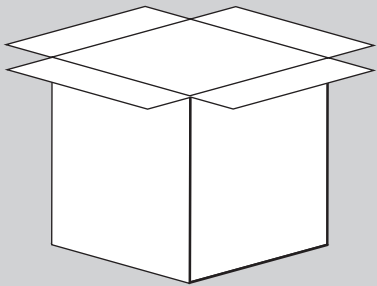
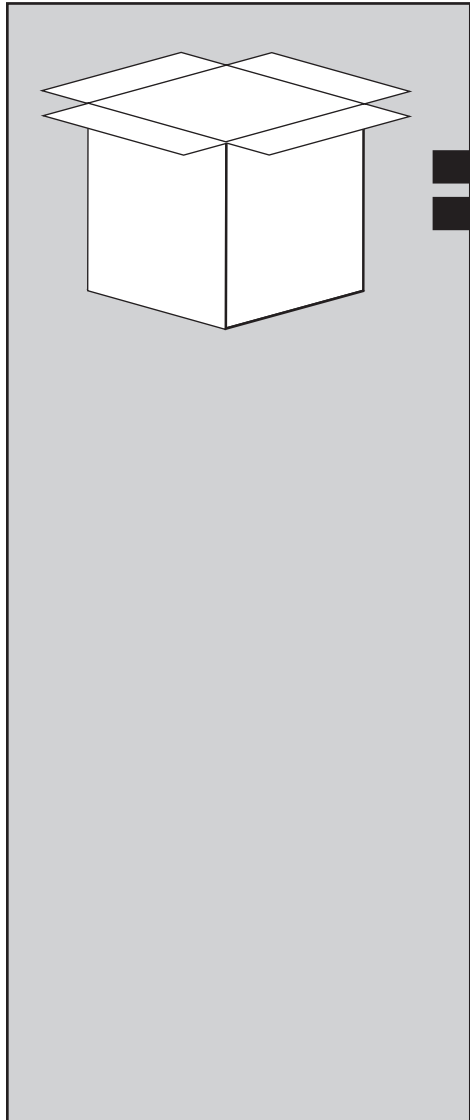
Release Date: 09/24/2019
Document Number: 12-70042
Revision Number: 00

 **ATTENTION**
Review safety information before operation.

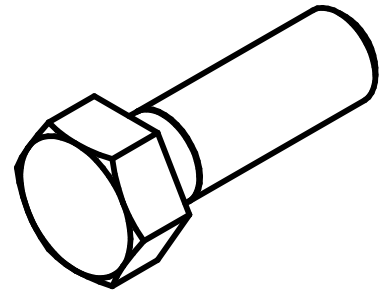
 Tools
3/4" Socket 3/4" Wrench

Installation Time (estimated) **15 minutes**

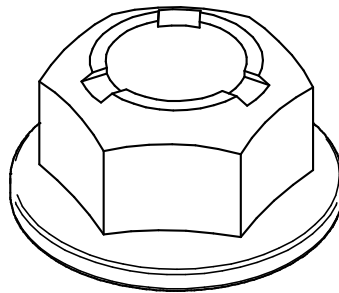
REQUIRED PARTS



1x
Bracket
2" To 1/2" Tube
AA-6062



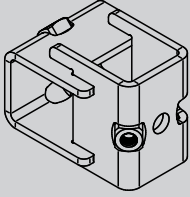
2x
Bolt
1/2 - 13 USS X 1-1/4
90-0810



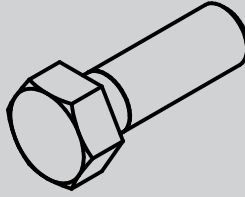
2x
Flange Nut
1/2 - 13 USS
99-SF08

ASSEMBLY

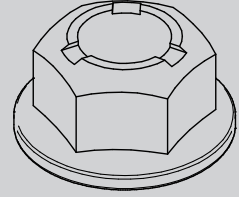
 3/4" Socket, 3/4 Wrench, Ratchet



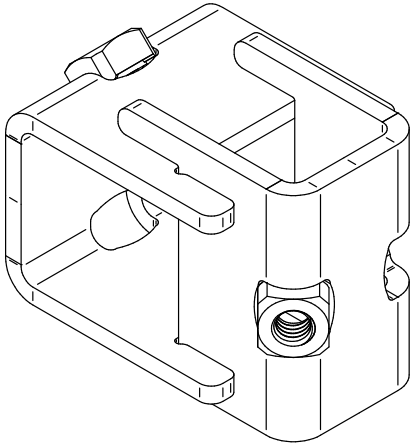
1x
Bracket
2" Tube To 1/2" Tube
AA-6062



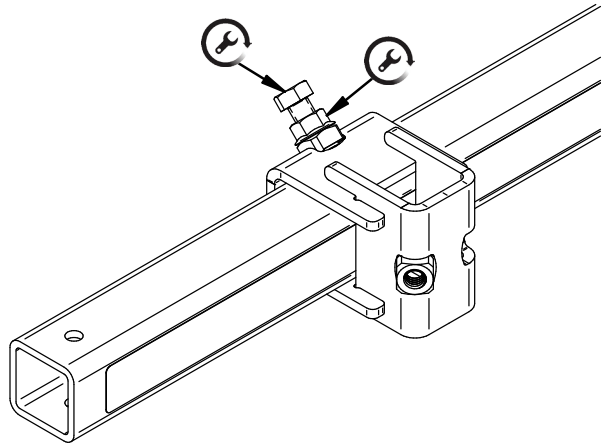
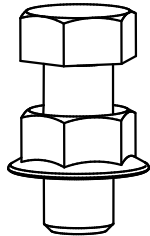
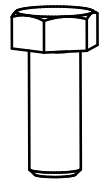
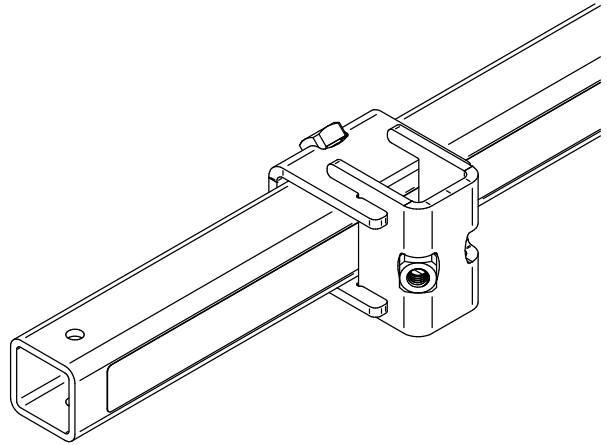
1x
Bolt
1/2 - 13 USS X 1-1/4
90-0810



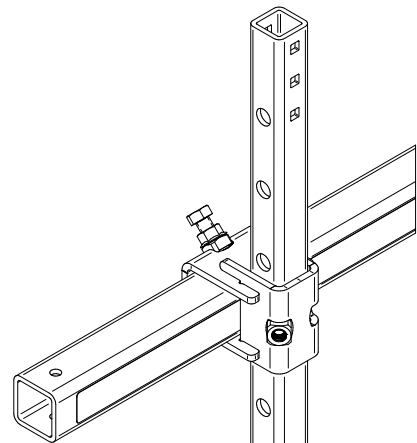
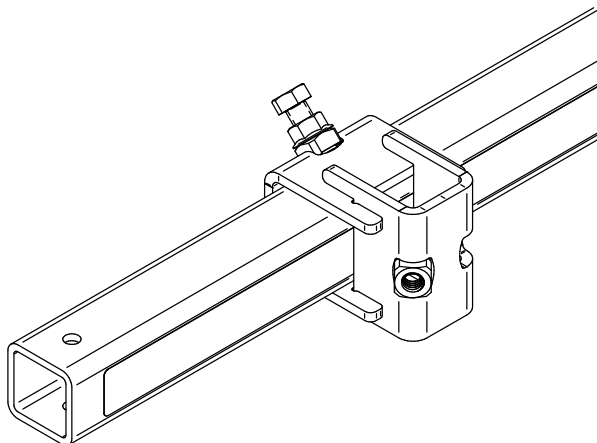
1x
Flange Nut
1/2 - 13 USS
99-SF08



1



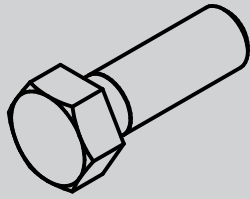
2



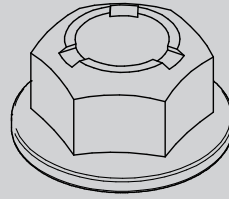
3

ASSEMBLY

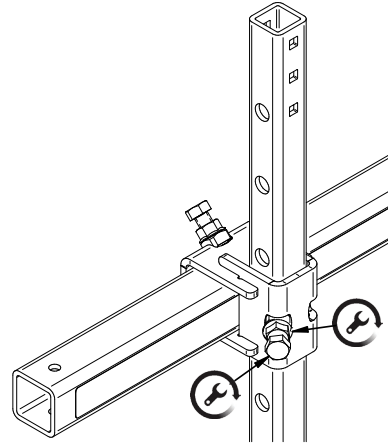
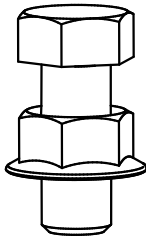
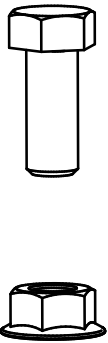
 3/4" Socket, 3/4 Wrench, Ratchet



1x
Bolt
1/2 - 13 USS X 1-1/4
90-0810



1x
Flange Nut
1/2 - 13 USS
99-SF08



4

