




Plastic Reducer Kit Assembly AB-9006

Go to www.tilmor.com/resources for complete parts list, additional resources and replacement part ordering.

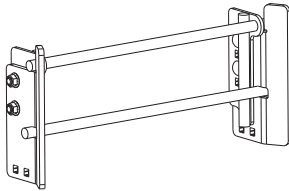
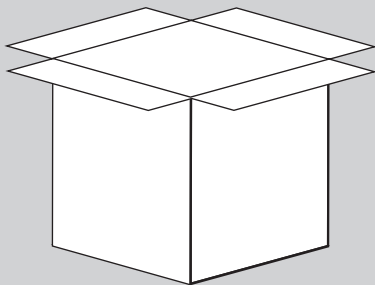
Release Date: 09/14/2040
Document Number: 12-70051
Revision Number: 00

ATTENTION
Review safety information before operation.

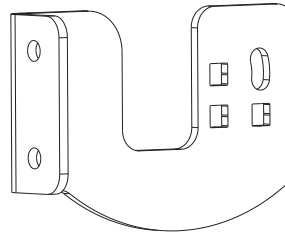
Tools	
	3/4" Wrench
	3/4" Socket
	Ratchet
	Torque Wrench

Installation Time (estimated) 15 minutes

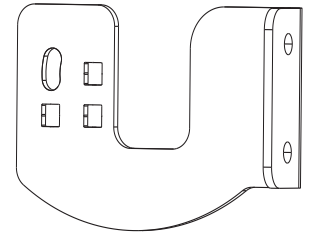
REQUIRED PARTS



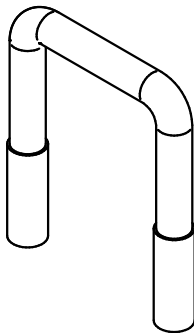
1x
Reducer



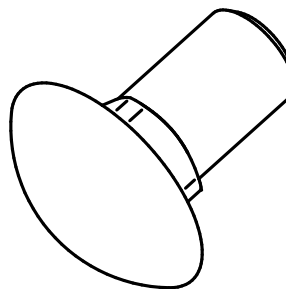
1x
AB-1039
Plate, Mounting LH



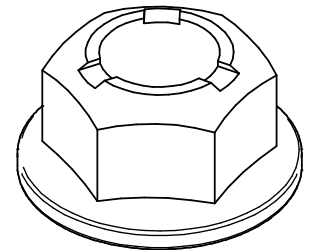
1x
AB-9040
Plate, Mounting RH



2x
11-0085
U-bolt,
1/2-13 x 2-1/16" X 3" SQ



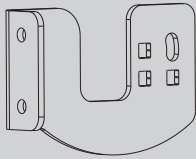
4x
97-0810-5
Bolt, Carriage
1/2-13 x 1 1/4 GR5



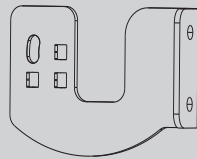
8x
99-E0103
Nut, Locking Flange
1/2-13

ASSEMBLY

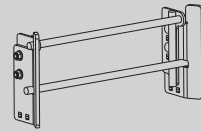
 3/4" Socket, 3/4" Wrench, Ratchet, Torque Wrench



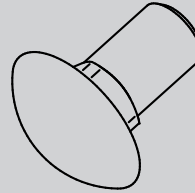
1x
AB-1039
Plate, Mounting
LH



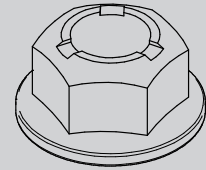
1x
AB-9040
Plate, Mounting
RH



1x
Reducer

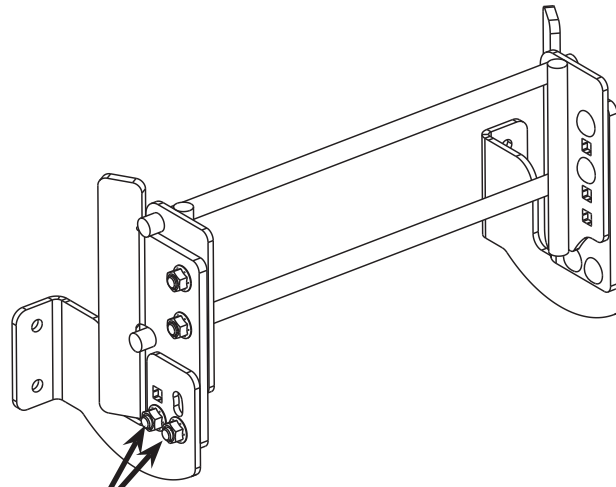
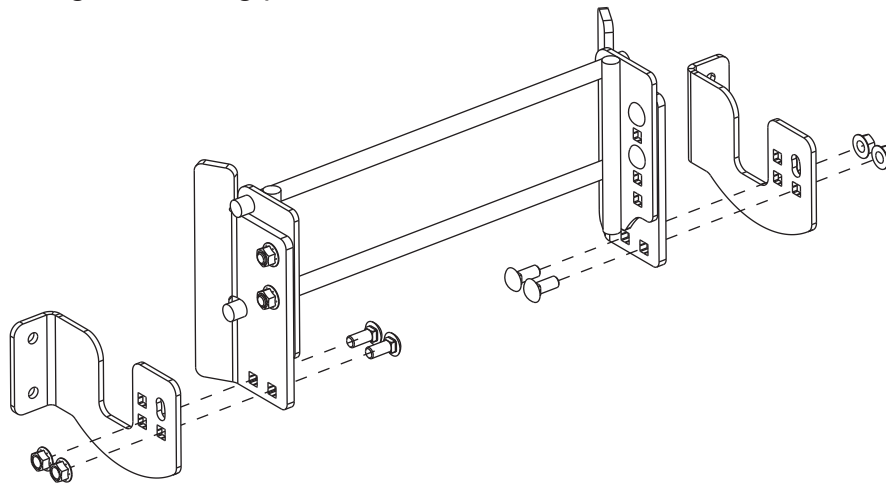


4x
97-0810-5
Bolt, Carriage
1/2-13 x 1 1/4
GR5



4x
99-E0103
Nut, Locking
Flange
1/2-13

1. Install the left and right mounting plates onto the reducer.



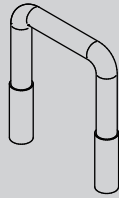
75 ft-lbs (102 Nm)



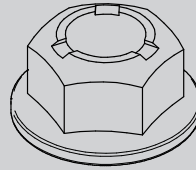
2. Torque the mounting bolts to 75 ft-lbs (102 Nm).

ASSEMBLY

 3/4" Socket, 3/4" Wrench, Ratchet, Torque Wrench

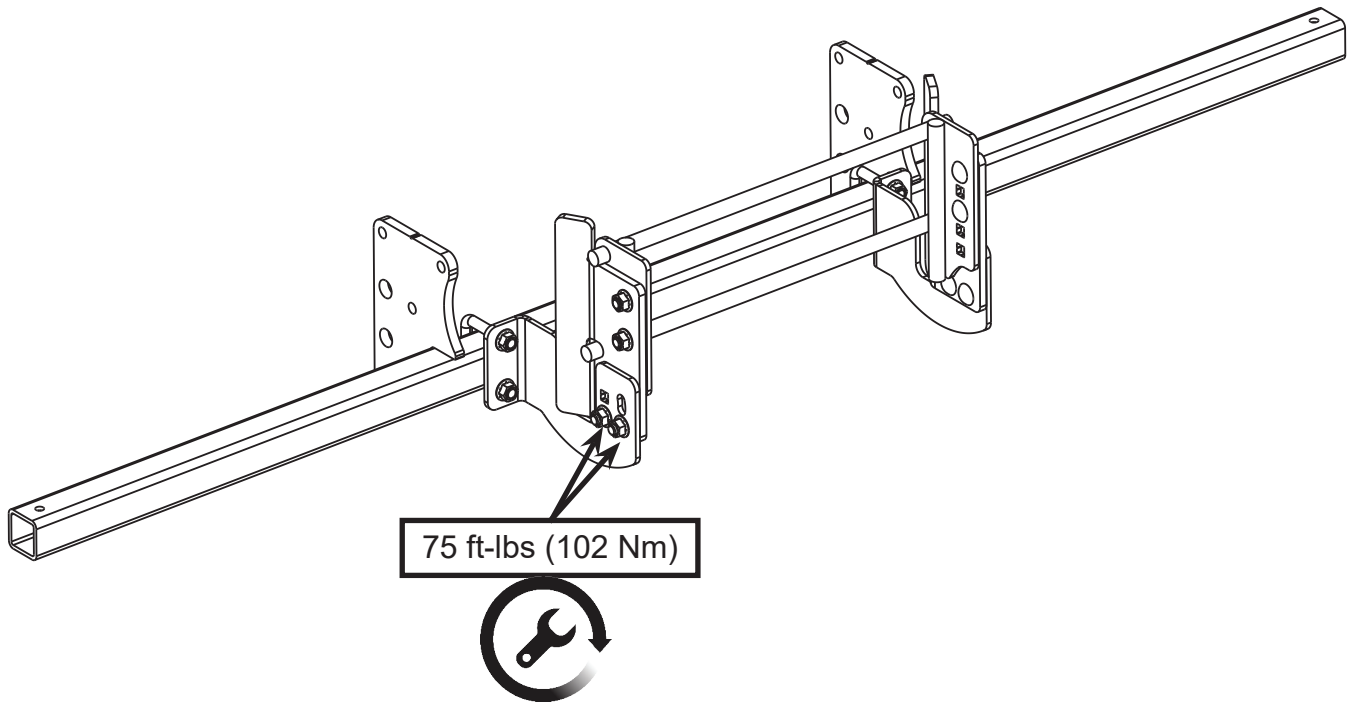


2x
11-0085
U-bolt,
1/2-13 x 2-1/16"
X 3" SQ



4x
99-E0103
Nut, Locking
Flange
1/2-13

3. Position the reducer assembly on the toolbar.
4. Secure the reducer in place using u-bolts and locking flange nuts.



5. Torque the locking flange nuts to 75 ft-lbs (102Nm).

Attention

Adjust the angle and height of the plastic reducer as required to achieve the best results for a specific condition.