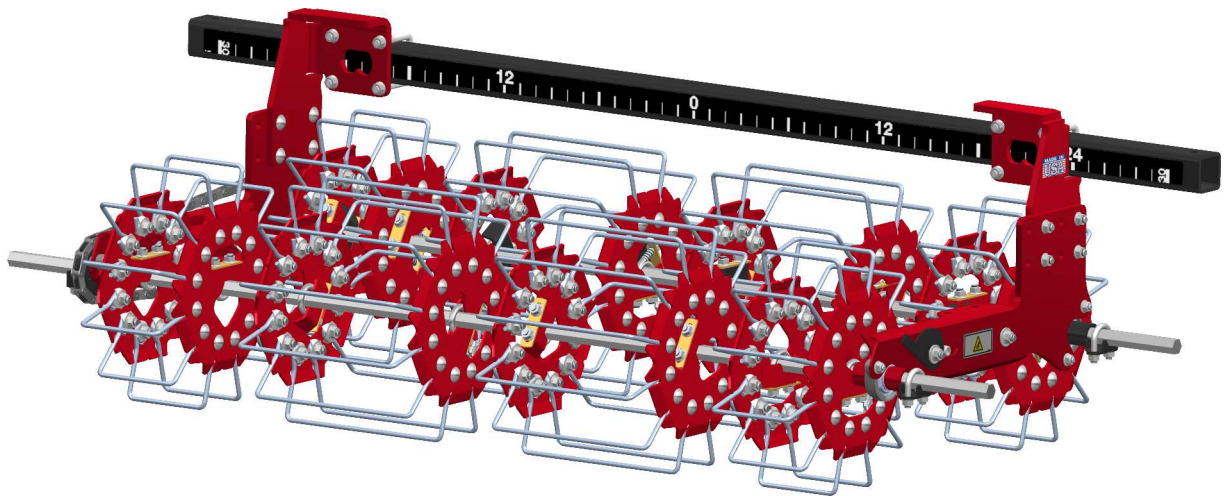


# **TILMOR**

## **PARTS MANUAL**

### **BASKET WEEDER** **49-0050 / 49-0054**



Manufactured by  
Tilmor LLC.  
Made in the USA  
Dalton, Ohio 44618

12-20004 Rev.03



295 Kurzen Rd. N  
Dalton, OH 44618  
[www.tilmor.com](http://www.tilmor.com)

### **Notes**

- If any component requires replacement, use only original Tilmor replacement parts.
- When ordering new components, be sure to order all required safety decals. All current safety decals must be affixed to the replacement components prior to installation of the component.

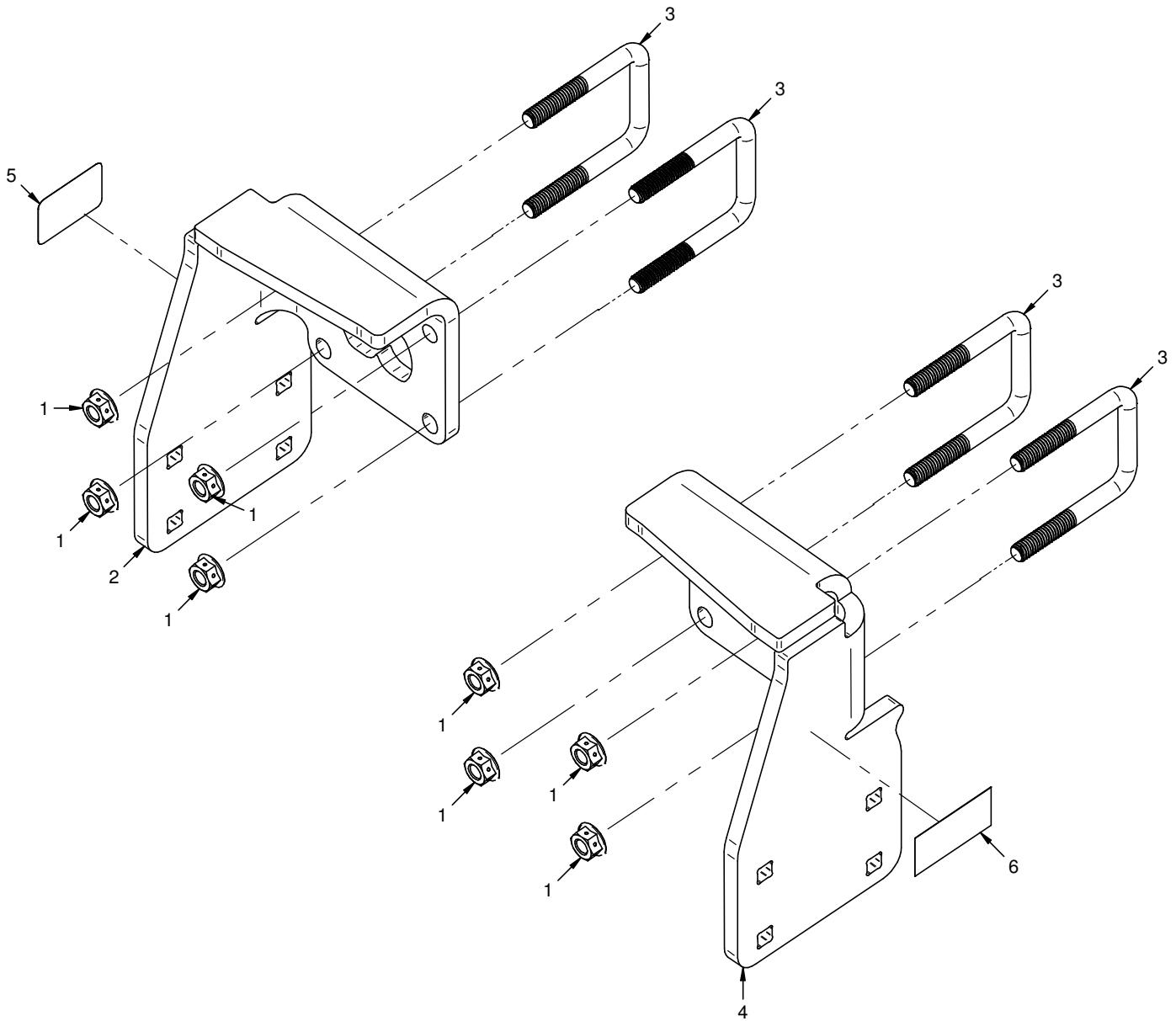
# TABLE OF CONTENTS

---

Mounting Brackets Cat.1/Tilmor .....	4
Mounting Brackets Universal .....	6
Mounting Brackets 1" .....	8
Frame Assembly Right .....	10
Frame Assembly Left .....	12
Drive Assembly .....	14
Axle Assembly .....	16
Basket Assembly .....	18
Kit, Chain Cover .....	20

# PARTS

## ILLUSTRATED DRAWING Mounting Brackets Cat.1/Tilmor



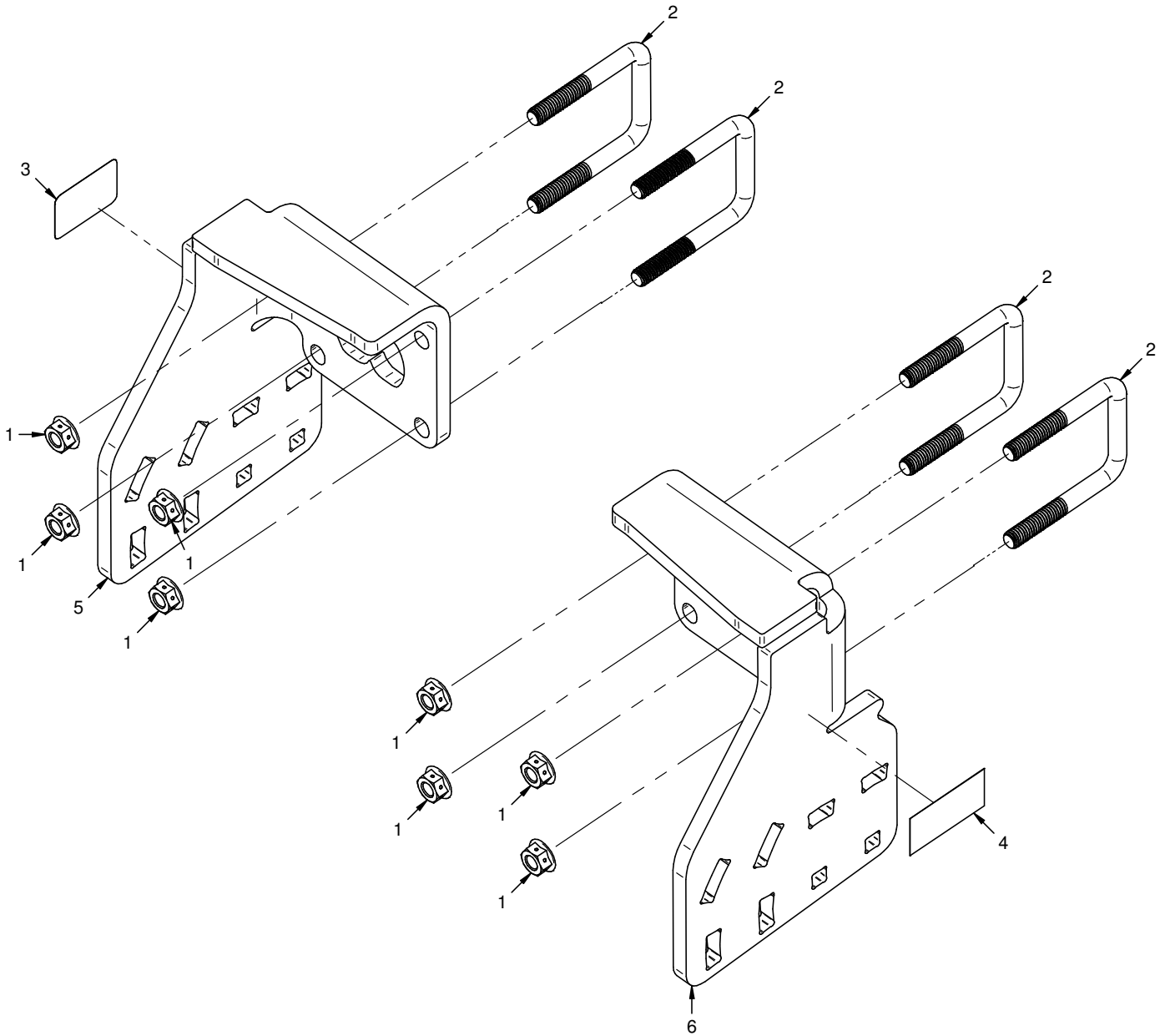
# PARTS

## Mounting Brackets Cat.1/Tilmor

REF.	PART NO.	DESCRIPTION	QTY.
1	99-E0082	Nut, Locking Flange 3/8-16	8
2	AW-1056	Plate, Attachment LH	1
3	11-0053	U-Bolt, 3/8-16 2-1/16" ID SQ Bend.	4
4	AW-1057	Plate, Attachment RH	1
5	00-0455	Decal, Tilmor - Made in USA	1
6	00-0100	Decal, Made In USA	1

# PARTS

## ILLUSTRATED DRAWING Mounting Brackets Universal



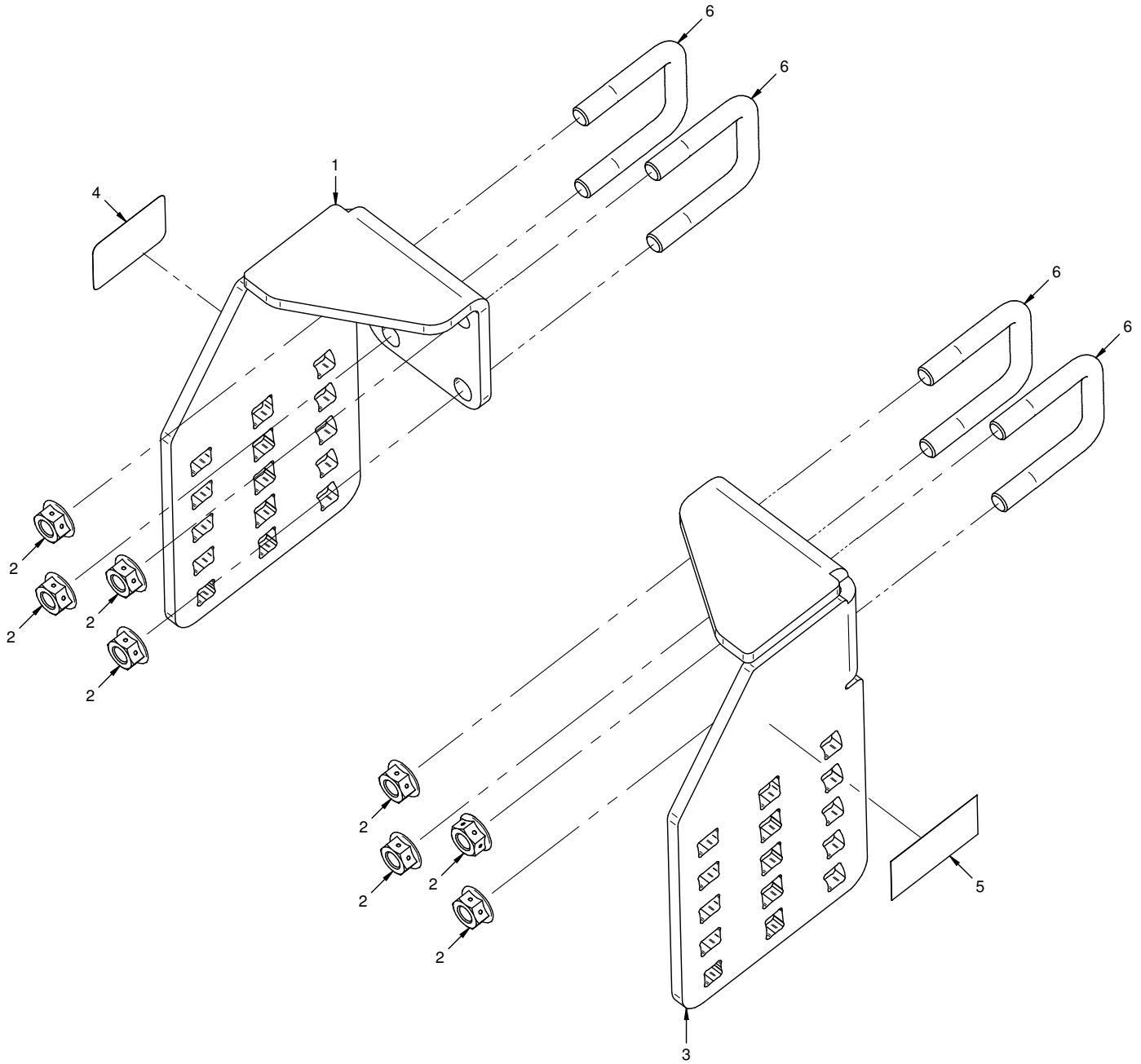
# PARTS

## Mounting Brackets Universal

REF.	PART NO.	DESCRIPTION	QTY.
1	.99-E0082	.Nut, Locking Flange 3/8-16	8
2	.11-0053.	.U-Bolt, 3/8-16 2-1/16" ID SQ Bend.	4
3	.00-0455	.Decal, Tilmor - Made in USA	1
4	.00-0100	.Decal, Made In USA.	1
5	.AW-1061.	.Plate, Attachment LH	1
6	.AW-1062.	.Plate, Attachement RH.	1

# PARTS

## ILLUSTRATED DRAWING Mounting Brackets 1-1/2" Toolbar





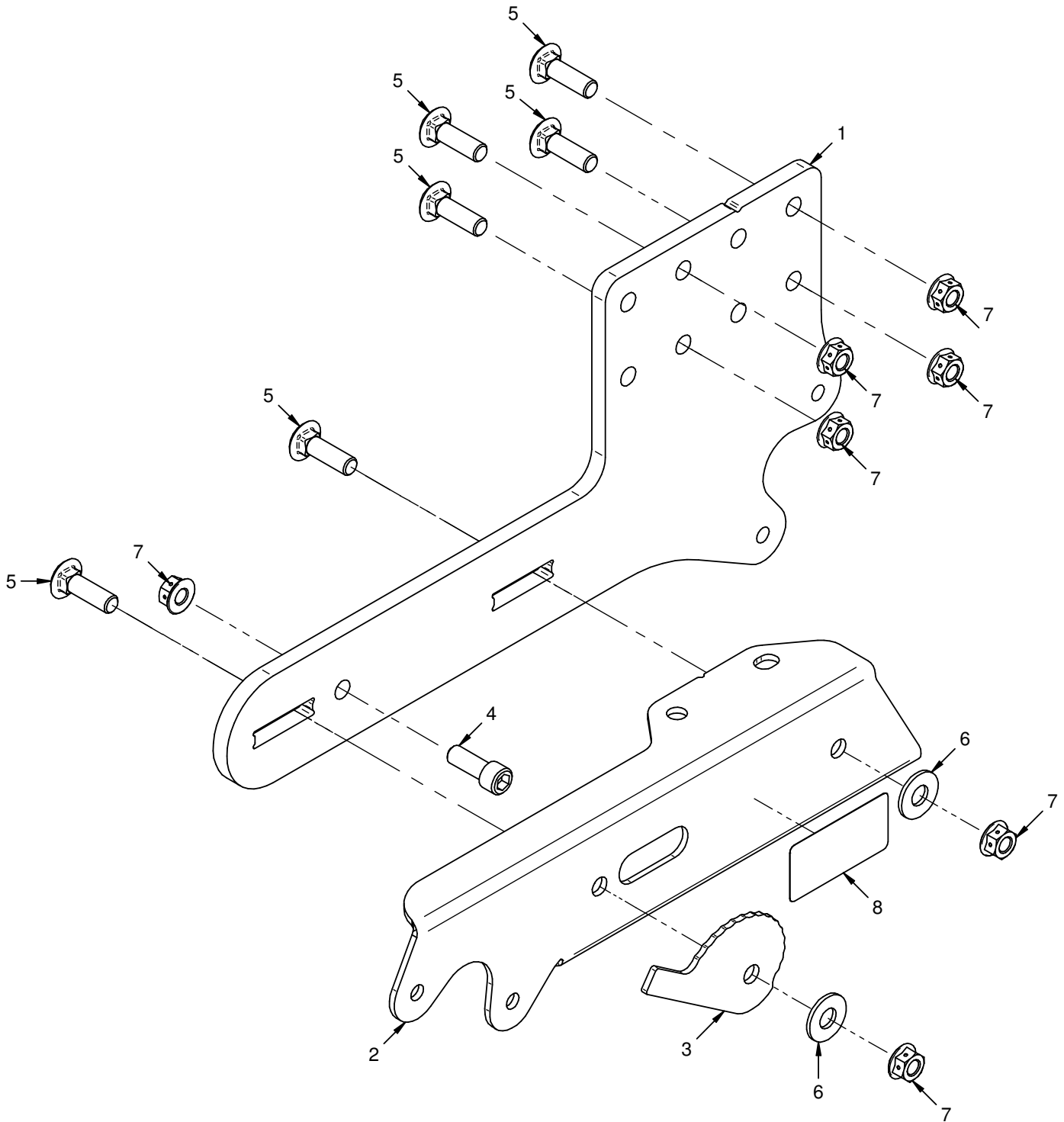
# PARTS

## Mounting Brackets 1-1/2" Toolbar

REF.	PART NO.	DESCRIPTION	QTY.
1	AW-1066	Plate, Attachment LH	1
2	99-E0082	Nut, Locking Flange 3/8-16	8
3	AW-1167	Plate, Attachment RH	1
4	00-0455	Decal, Tilmor - Made in USA	1
5	00-0100	Decal, Made In USA	1
6	11-0088	U-Bolt, SQ 3/8 x1-17/32 x 2 1/2	4

# PARTS

## ILLUSTRATED DRAWING Frame Assembly Right



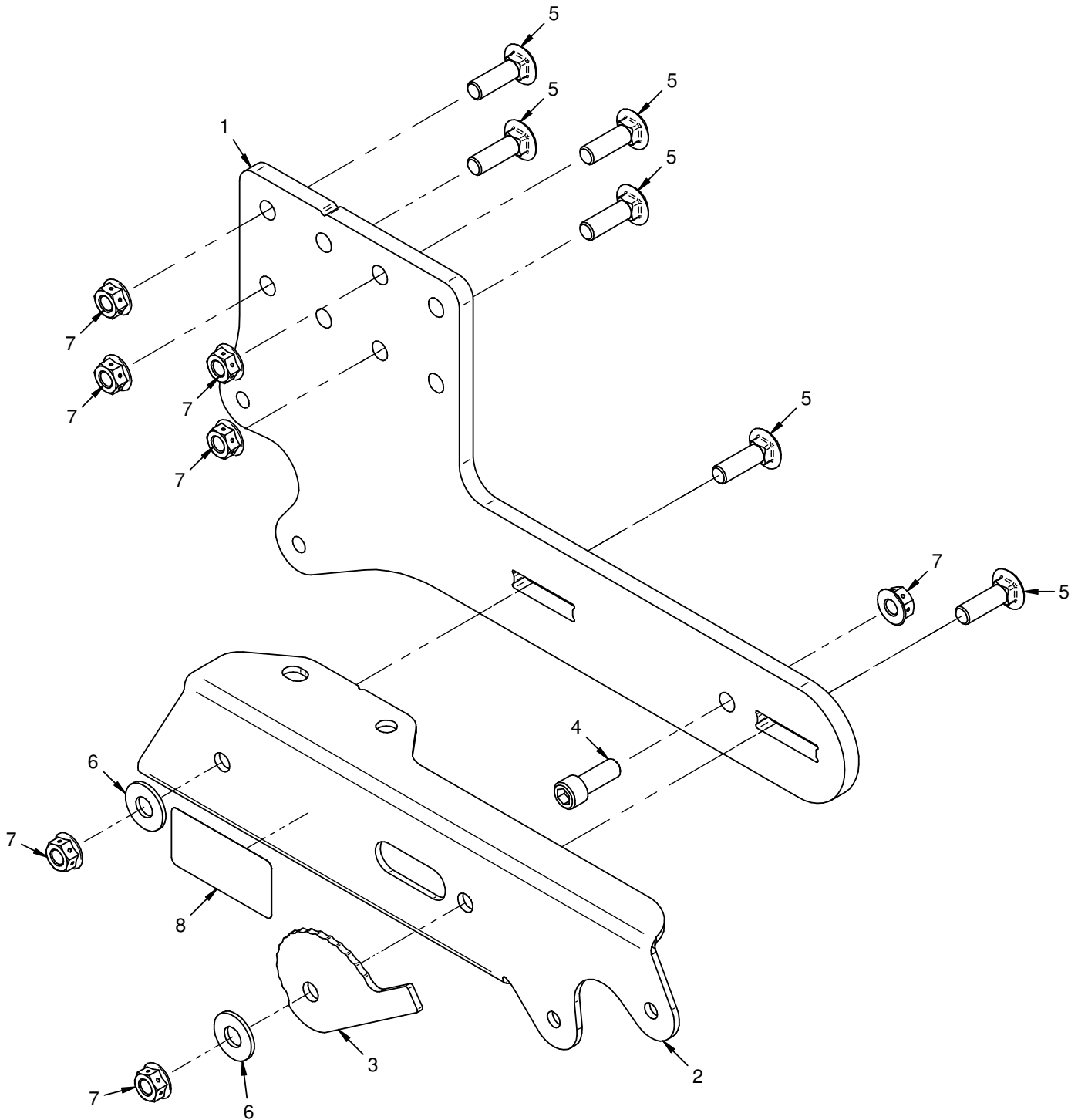
# PARTS

## Frame Assembly Right

REF.	PART NO.	DESCRIPTION	QTY.
1	AW-1038	Plate, Front Side	1
2	AW-1037	Plate, Rear Side RH	1
3	AW-1055	Plate, Chain Adjustment	1
4	99-K0151	Bolt, SCHS 3/8-16 x 1	1
5	97-0610	Bolt, Carriage 3/8 x 1-1/4	6
6	94-06	Washer, Flat 3/8 USS	2
7	99-E0082	Nut, Locking Flange 3/8-16	7
8	00-0365	Decal, Warning Moving Parts	1

# PARTS

## ILLUSTRATED DRAWING Frame Assembly Left



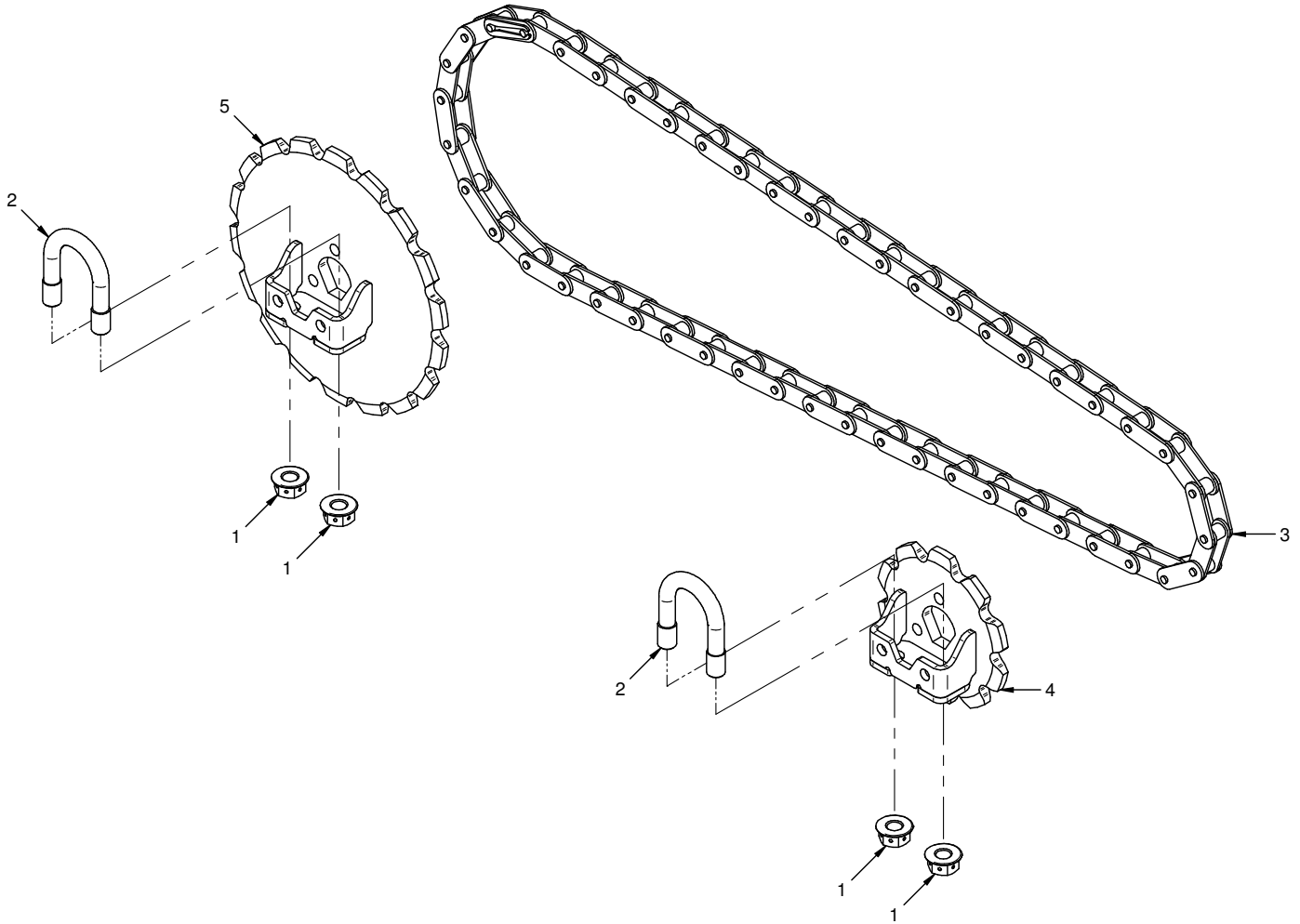
# PARTS

## Frame Assembly Left

REF.	PART NO.	DESCRIPTION	QTY.
1	AW-1038	Plate, Front Side	1
2	AW-1036	Plate, Rear Side LH	1
3	AW-1055	Plate, Chain Adjustment	1
4	99-K0151	Bolt, SCHS 3/8-16 x 1	1
5	97-0610	Bolt, Carriage 3/8 x 1-1/4	6
6	94-06	Washer, Flat 3/8 USS	2
7	99-E0082	Nut, Locking Flange 3/8-16	7
8	00-0365	Decal, Warning Moving Parts	1

# PARTS

## ILLUSTRATED DRAWING Drive Assembly



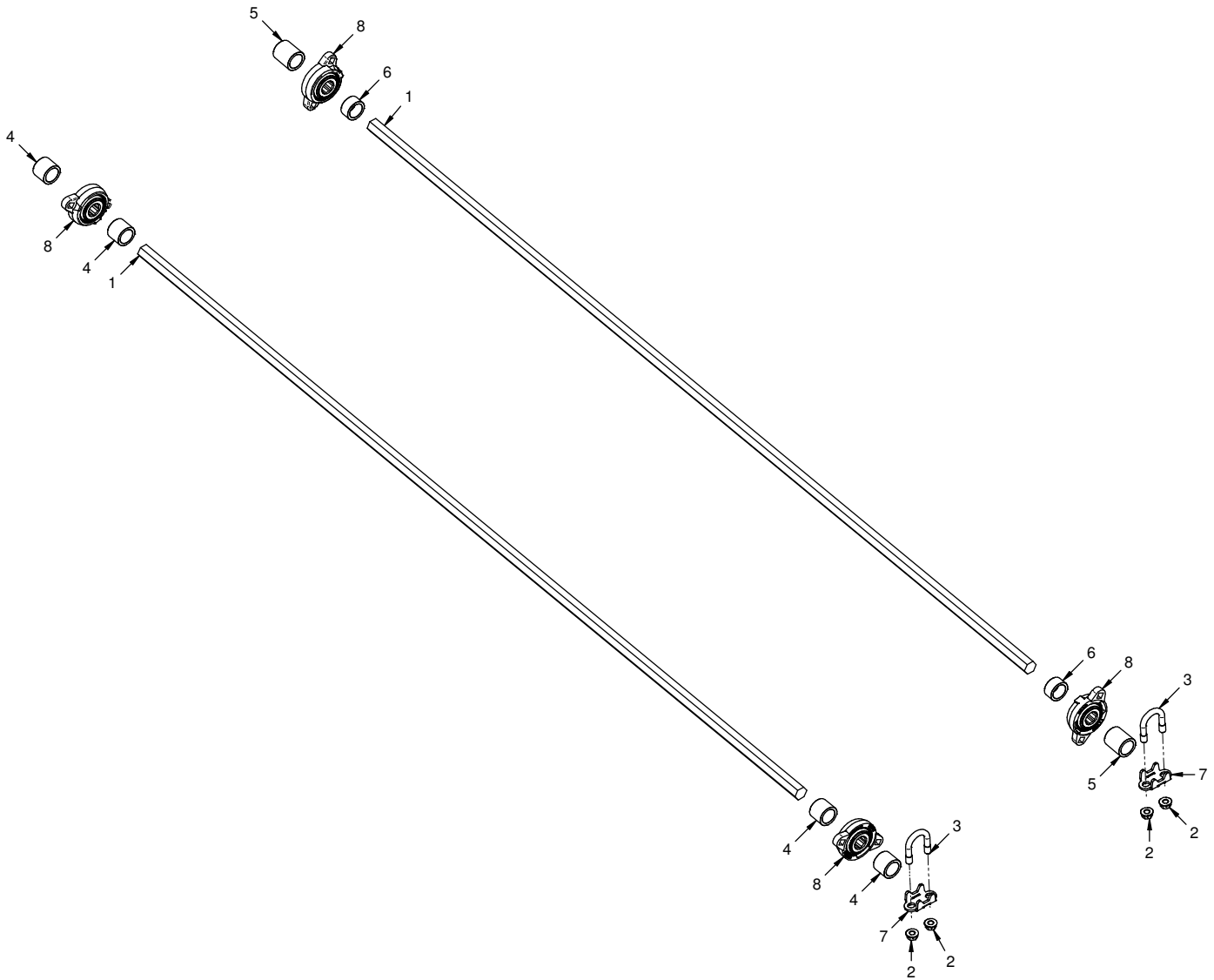
# PARTS

## Drive Assembly

REF.	PART NO.	DESCRIPTION	QTY.
1	99-E0082	Nut, Locking Flange 3/8-16	4
2	11-0082	U-BOLT, 3/8-16 1" ID	2
3	81-0169	Chain, Roller #2040 X 47"	1
4	AW-3091	Sprocket, #20/40 10 Tooth	1
5	AW-3092	Sprocket, #20/40 18 Tooth	1

# PARTS

## ILLUSTRATED DRAWING Axle Assembly





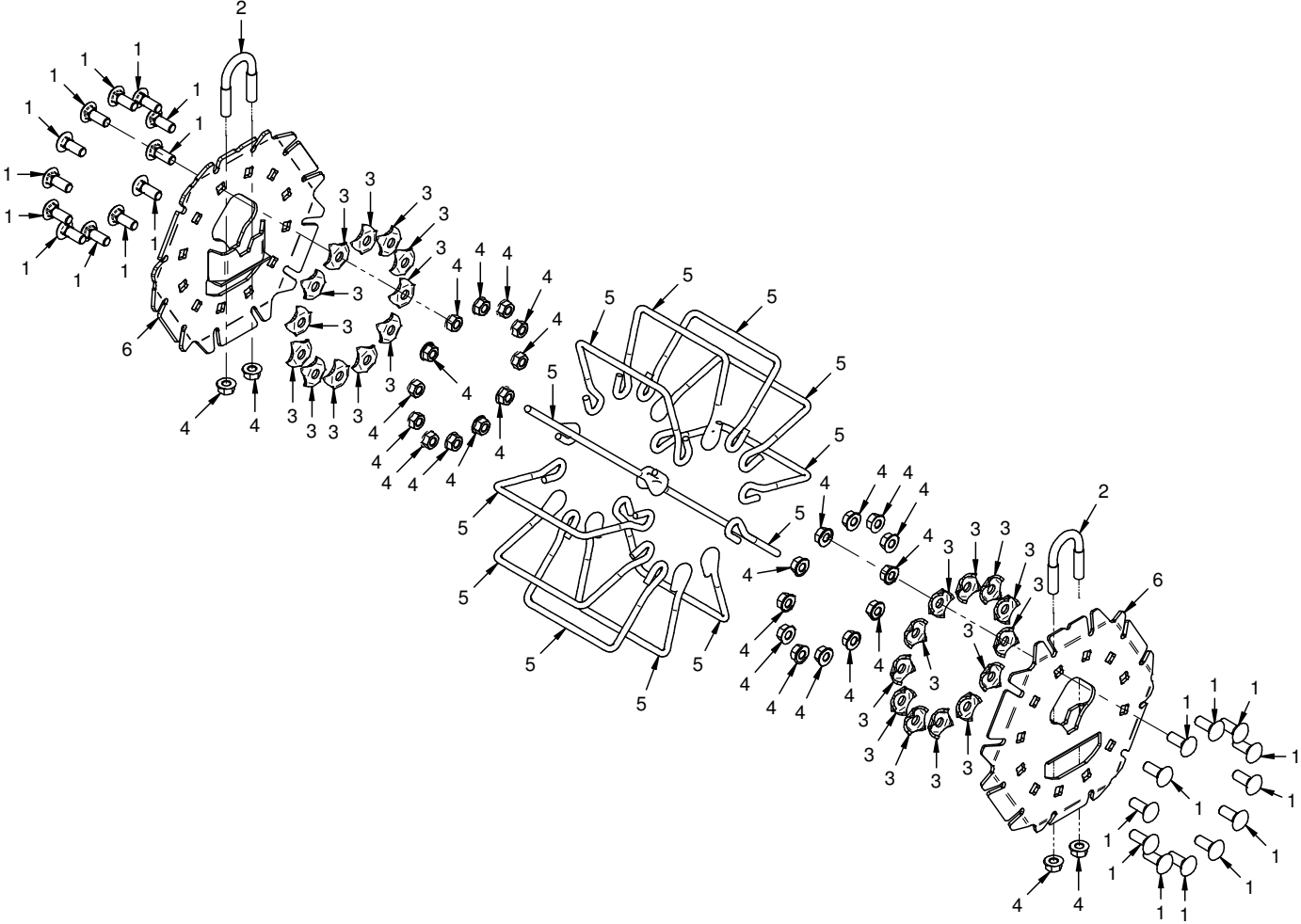
# PARTS

## Axle Assembly

REF.	PART NO.	DESCRIPTION	QTY.
1	AW-3028	Axle, Basket Weeder 62"	2
1 (ALT)	AW-3073	Axle, Basket Weeder 35"	2
2	99-E0082	Nut, Locking Flange 3/8-16	4
3	11-0082	U-BOLT, 3/8-16 1" ID	2
4	AW-1086	Spacer, Axle 1"	4
5	AW-1085	Spacer, Axle 1.375"	2
6	AW-1093	Spacer, Axle 0.625"	2
7	AW-1083	Clamp, Hex Shaft	2
8	55-FB16012-H	Bearing, Flange 3/4" Hex	4

# PARTS

## ILLUSTRATED DRAWING Basket Assembly



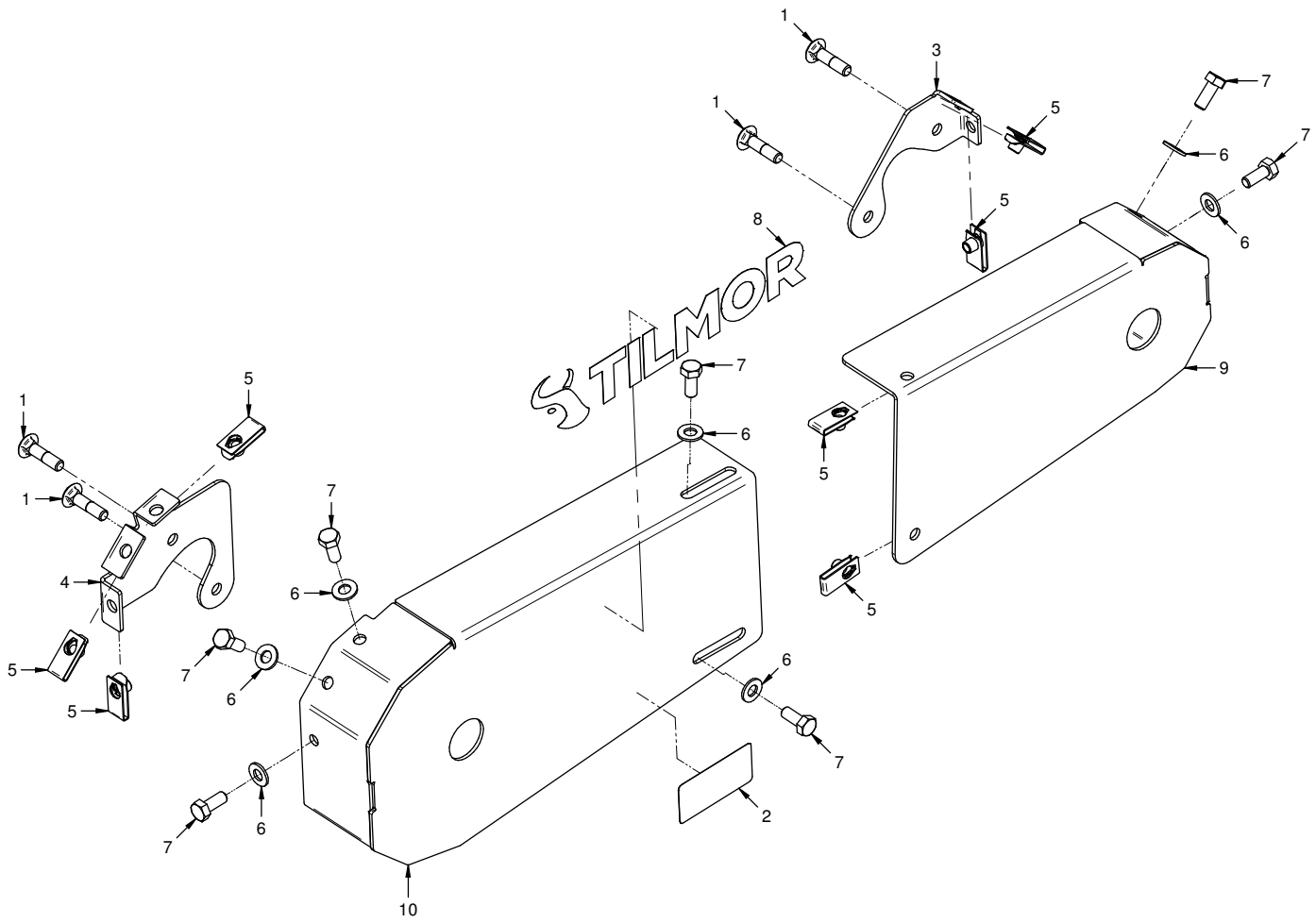
# PARTS

## Basket Assembly

REF.	PART NO.	DESCRIPTION	QTY.
1	97-0608	Bolt, Carriage 3/8 x 1	24
2	AW-3022	U-BOLT, 3/8-16 PIPE SIZE 1/2"	2
3	AW-3003	Washer, Formed Square	24
4	99-SF06	Nut, SRF 3/8-16 USS	28
5	AW-3004	Wire, 5" Basket	12
5 (ALT)	AW-3061	Wire, 4" Basket	12
5 (ALT)	AW-3015	Wire, 6" Basket	12
5 (ALT)	AW-3016	Wire, 7" Basket	12
5 (ALT)	AW-3017	Wire, 8" Basket	12
5 (ALT)	AW-3018	Wire, 9" Basket	12
5 (ALT)	AW-3005	Wire, 10" Basket	12
6	AW-6009	Weldment, Side Plate	2

# PARTS

## ILLUSTRATED DRAWING Kit, Chain Cover



# PARTS

## Kit, Chain Cover

REF.	PART NO.	DESCRIPTION	QTY.
1	97-0510	Bolt, Carriage 5/16 x 1-1/4	4
2	00-0365	Decal, Warning Moving Parts	1
3	AW-1211	Cover, Chain Mount	1
4	AW-1212	Cover, Chain Mount Front	1
5	99-E0099	Nut, "U" 5/16-18 Extruded	7
6	95-05	Washer, Flat 5/16 SAE	7
7	90-0506	Bolt, Hex 5/16-18 UNC x 3/4"	7
8	00-0506	Decal, Tilmor	1
9	AW-6058	Cover, Chain Rear	1
10	AW-6057	Cover, Chain Front	1