



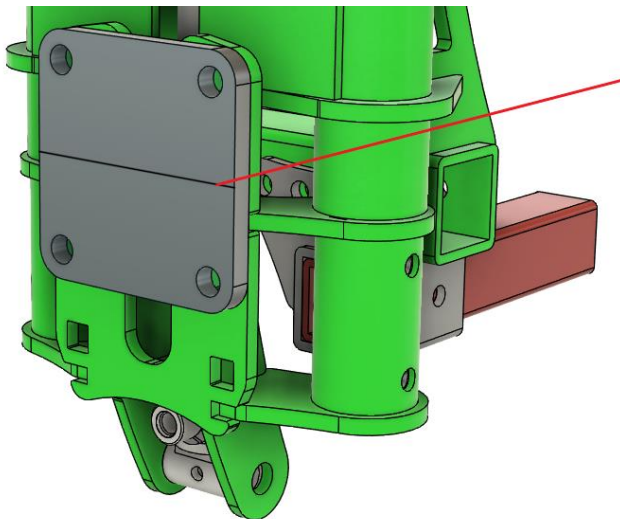
Side Mount Tractor Mounting Locations

Bolt holes are 55mm or 2.16" on centre vertically and 110mm or 4.33" horizontally

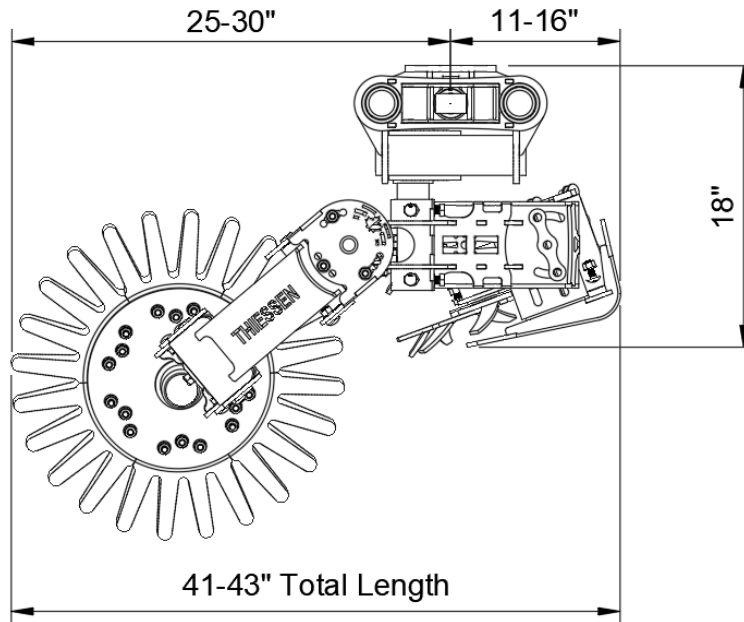
Recommended bolt spacing for matching mounting plate should not be less than

110x110mm or 4.33x4.33"

Bolts should be 16mm Grade 8.8 or 5/8" Grade 5 with the nuts facing towards the tractor so they do not interfere with the side mount and the close tolerances, especially on the top set of holes.



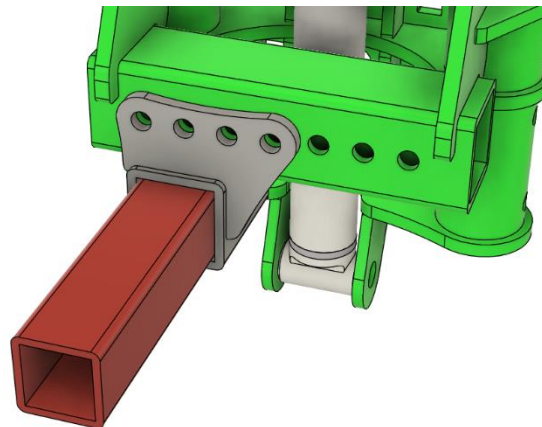
The centre line of the mating plate on the tractor should be a 14-18" above ground level.



Overall length of the unit is 41" as shown above, but can extend to 43" when the finger weeder head flexes towards the tractor

The centre of the side lift mount should be a minimum of 11" from the front tire (assembled as shown), but can be as far as 16" if the gray bracket is installed closer to the right in the picture as shown.

Respectively, if the unit is mounted 11" from the front tire there will need to be approximately 30" of room from the centre of the mount to the rear tire, although the finger weeder will often tuck under the rear wheel in use and can save up to 8-10" of space resulting in clearance needed of closer to 20"



The finger weeder is adjustable for location and how far from the side of the tractor it extends. In general, the spyder frame will require 18" of clearance from the back of the mount to the end of the guard. In practice and in the field, this will result in about 24" from the centre of the row you are working to where the side mount is bolted to the tractor (the guard should usually be about 6" from the centre of the row when being used).