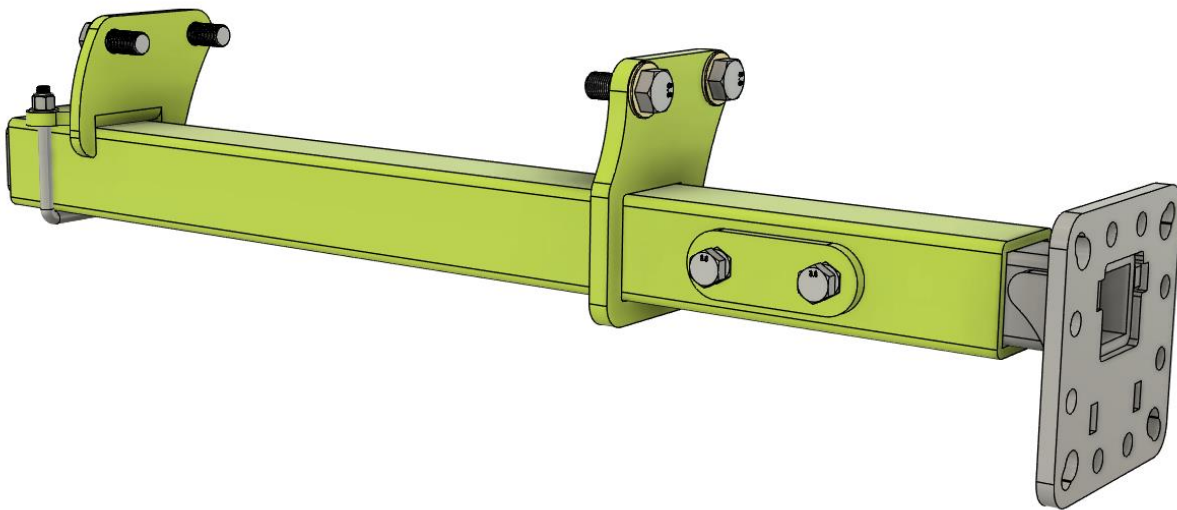




## Kubota L & MX Series Frame Mount

### Assembly Instructions



**This frame mount will fit the following Kubota tractors. There may be others but please confirm with us first:**

Economy L series, with or without a loader, including: L2800, L3200, L3400, L3800, L2901, L3301, L3901, L4701, L2502, L3302, L3902. Probably fits an L4802 as well.

Economy MX series with or without a cab, including: MX5400, MX6000 **however** it will not fit these models equipped with the LA1065 loader, we have a different bracket for that application.

Deluxe L series that we have verified: L4060 without a cab.

#### **For the Assembly/Setup you will need:**

1x 19mm or 3/4" wrench or socket

1x 24mm or 15/16" wrench or socket

1x 14mm or 9/16" socket or wrench (14mm is arguably too tight, but would work in a pinch)



If the tractor is **NOT** equipped with a loader, then install the main green frame onto the tractor using two of the 16x40mm bolts and two of the 16mm washers as shown on the right side of the tractor as viewed from the operators seat.

If the tractor **DOES** have a loader, remove the bottom two bolts that would be in the position shown from the loader and install the frame using two of the 16x55mm bolts, through the green bracket and the loader frame.

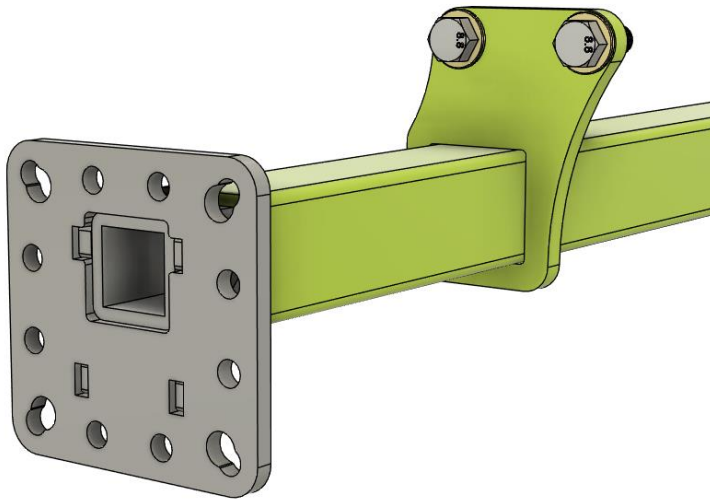
Do not tighten these yet.



Next, install the 90degree formed green bracket as shown on the opposite (left) hand side as shown. You will need the 40mm bolts for an application with no loader and the 55mm bolts for an application with a loader(also remove the existing two bolts in the loader frame on this side).

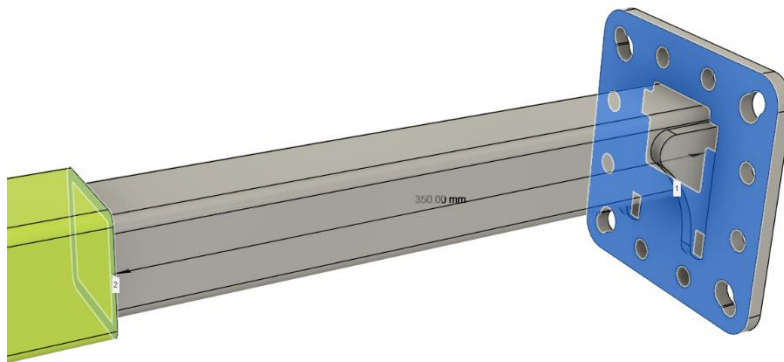
Then install the u-bolt with the two 3/8" nylock nuts and two 3/8" tension washers.

Tighten the four 16mm bolts to 225Nm (165ft-lbs) and the two 3/8" nylock nuts to 40Nm (30ft-lbs).



The gray plate with mounting holes is offset from the 2" tube which allows you to install it in four positions moving the attachment point a bit further forward or backwards, up or down depending on the rotation.

The gray part can also be slid out to position the side lift in an optimal position. It should remain as close to the tractor as possible and should never exceed 350mm (14") from the edge of the green tube to the gray plate.



Once you have settled on a position tighten the two 12mm bolts (opposite side from image) to 90Nm (65ft-lbs)

The frame mount is now ready for the side lift to be installed.

**\*\*It is important to check all fasteners after the first hour to make sure nothing has come loose. Daily inspection will help to ensure small issues are caught before they become problems.**