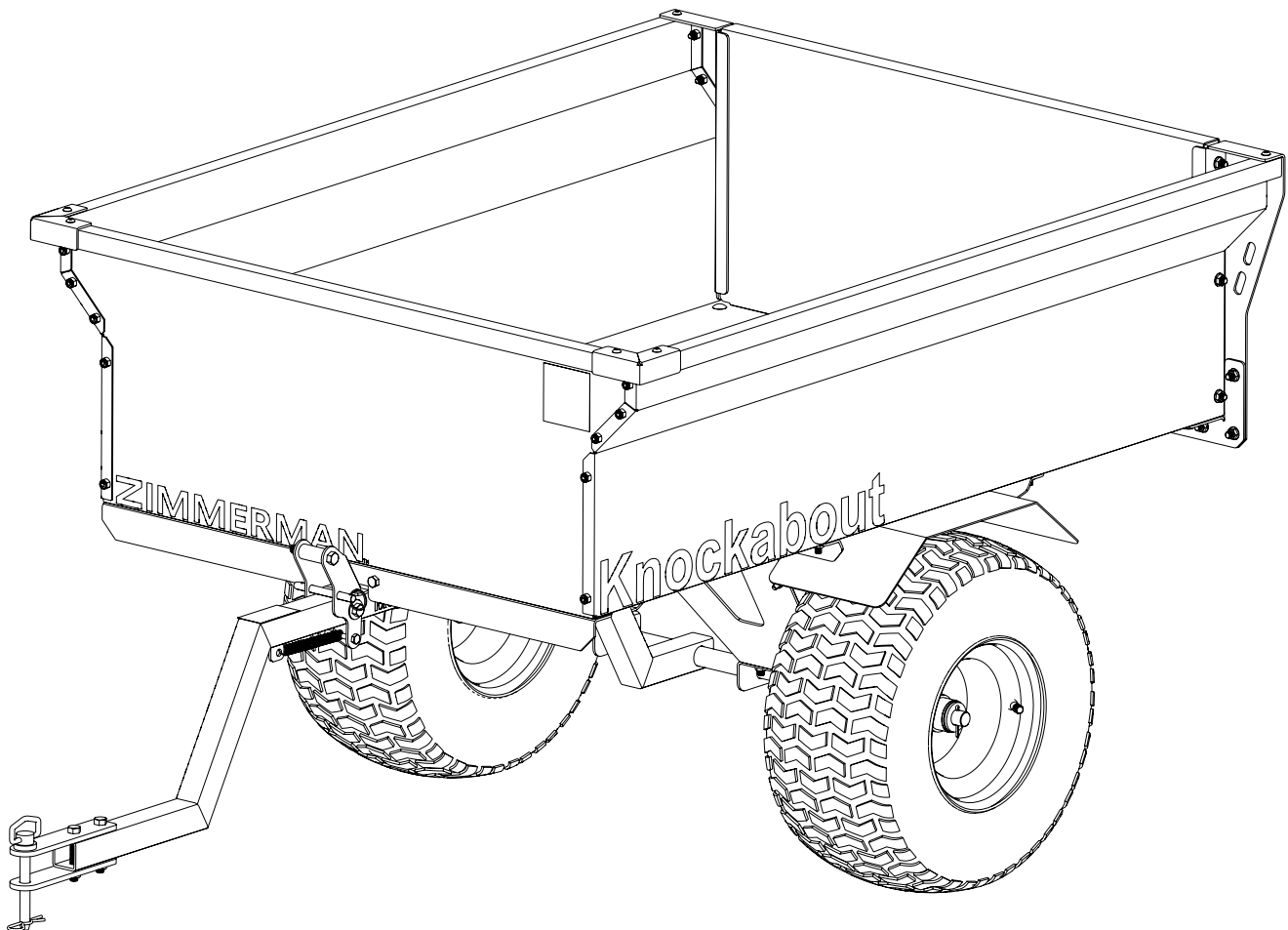


# ZIMMERMAN™

## Assembly Manual

### Knockabout Trailer

Model: KT1200

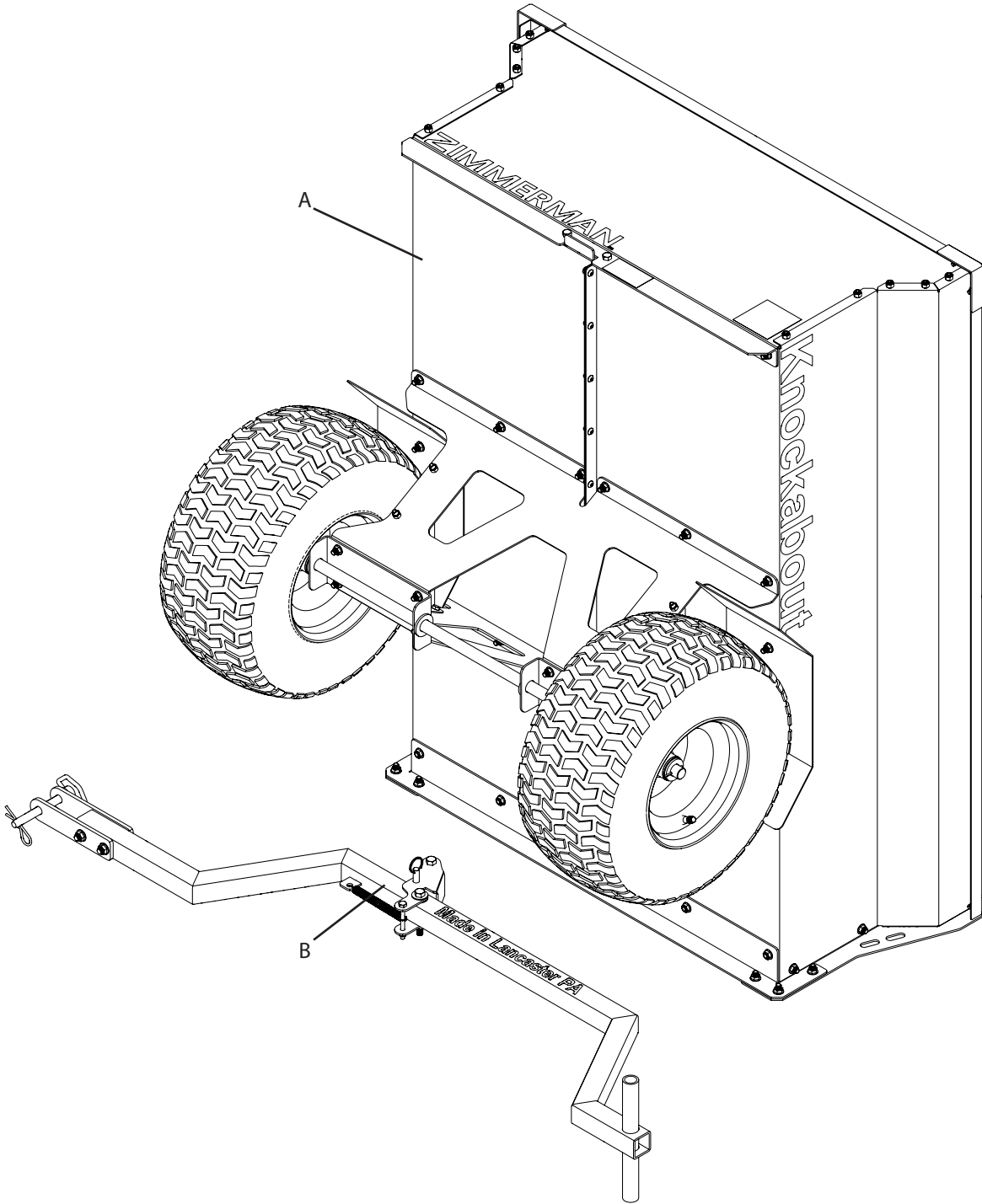


Manufactured by PBZ LLC  
A Paul B Zimmerman Inc. Company  
[www.zimmermanequipment.com](http://www.zimmermanequipment.com)

Form: KT1200AM  
Rev. A.1 Date: 06/23

# Pallet Contents

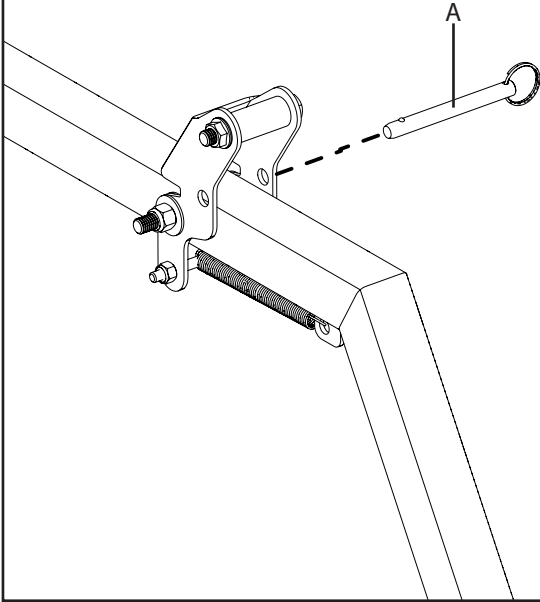
The pallet contains an assembled bed (A) and assembled tow bar (B).



# Assembly

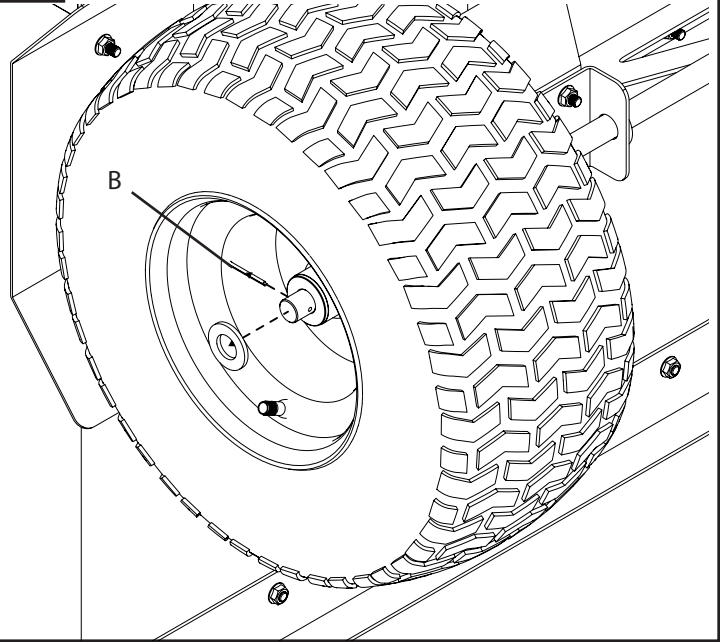
1

Remove pull pin (A) from the tow bar, so that the spring loaded latch can be moved.



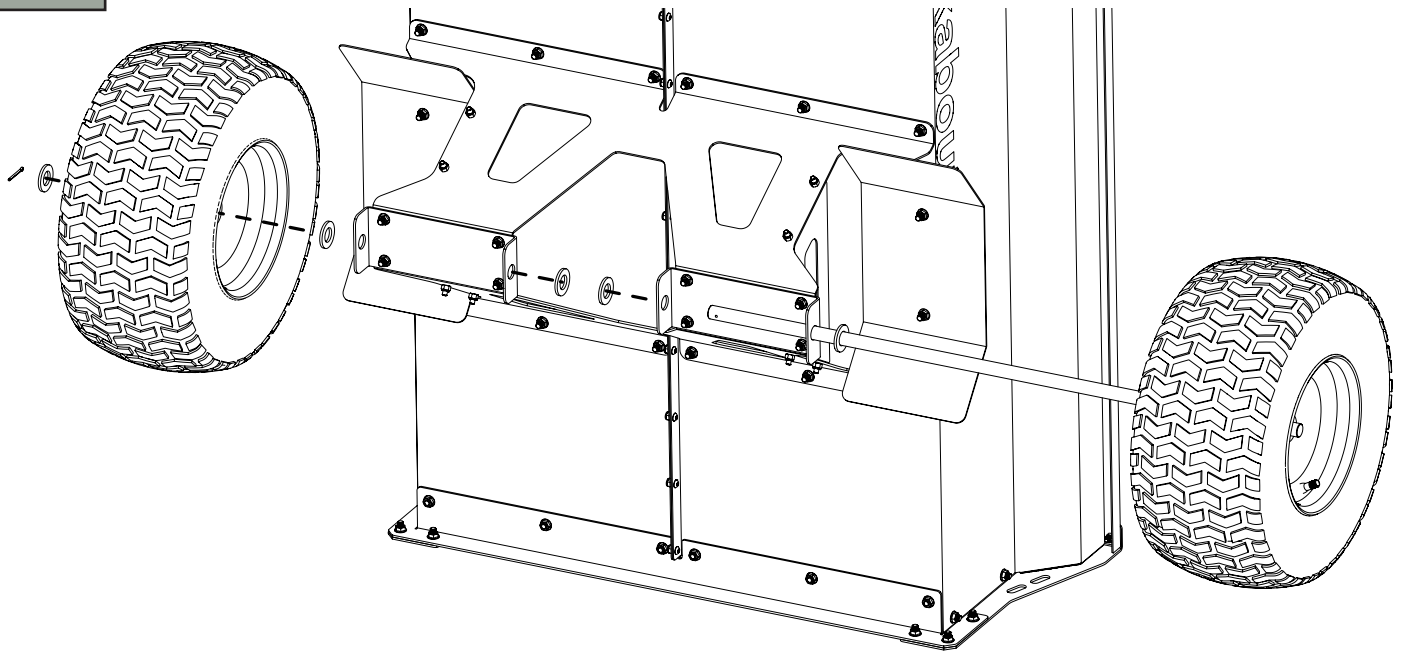
2

Remove clip pin (B) on one side to remove the wheel.



3

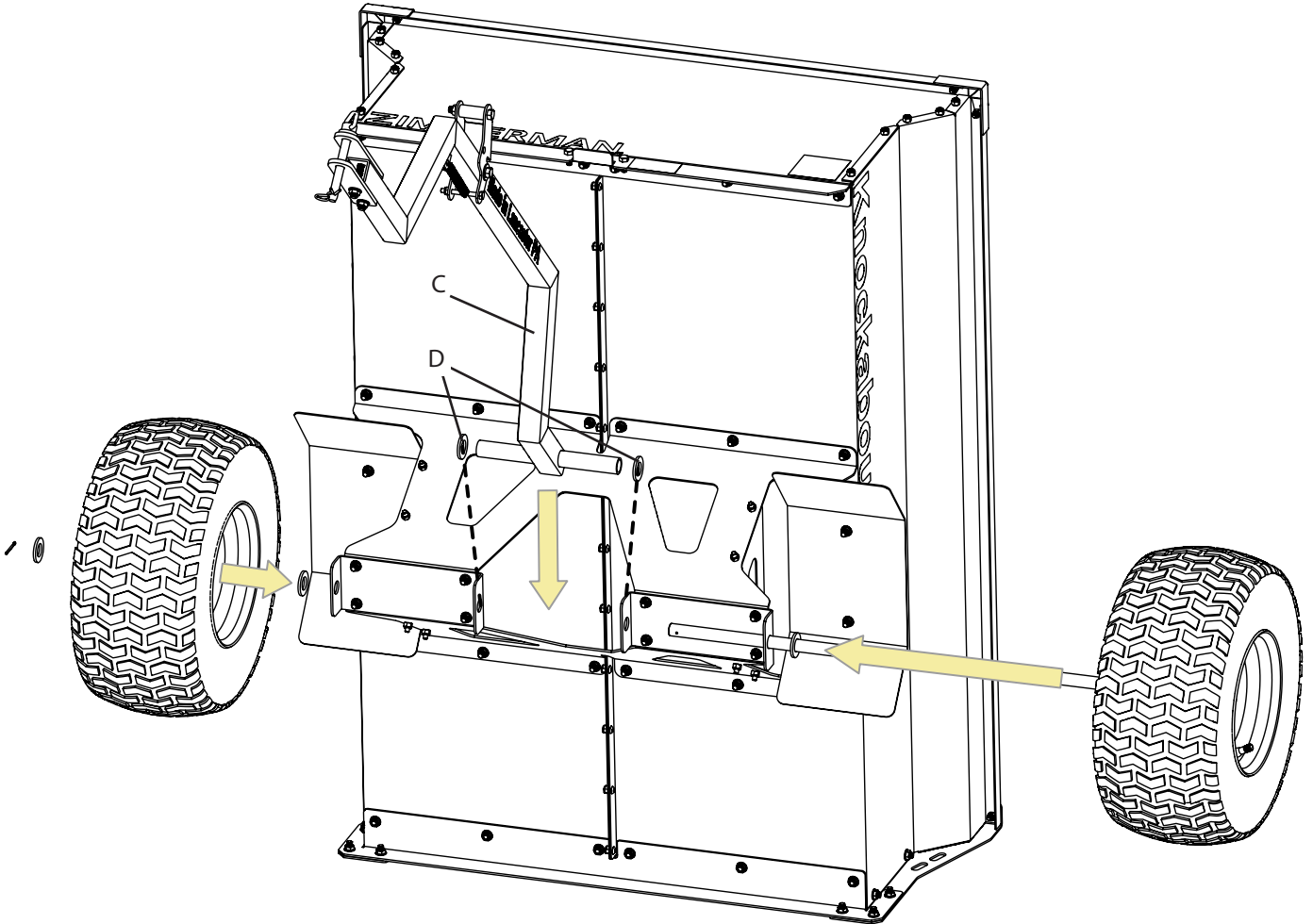
Remove axle and wheels so that the center between the brace is clear for the tow bar to be installed.



# Assembly

4

Install tow bar (C) in between the brace, with washers (D) on either side, and slide the axle through the tow bar. Reinstall the wheel that was removed, and secure with clip pin.



# ZIMMERMAN™

Manufactured by PBZ LLC  
A Paul B Zimmerman Inc. Company  
[www.zimmermanequipment.com](http://www.zimmermanequipment.com)