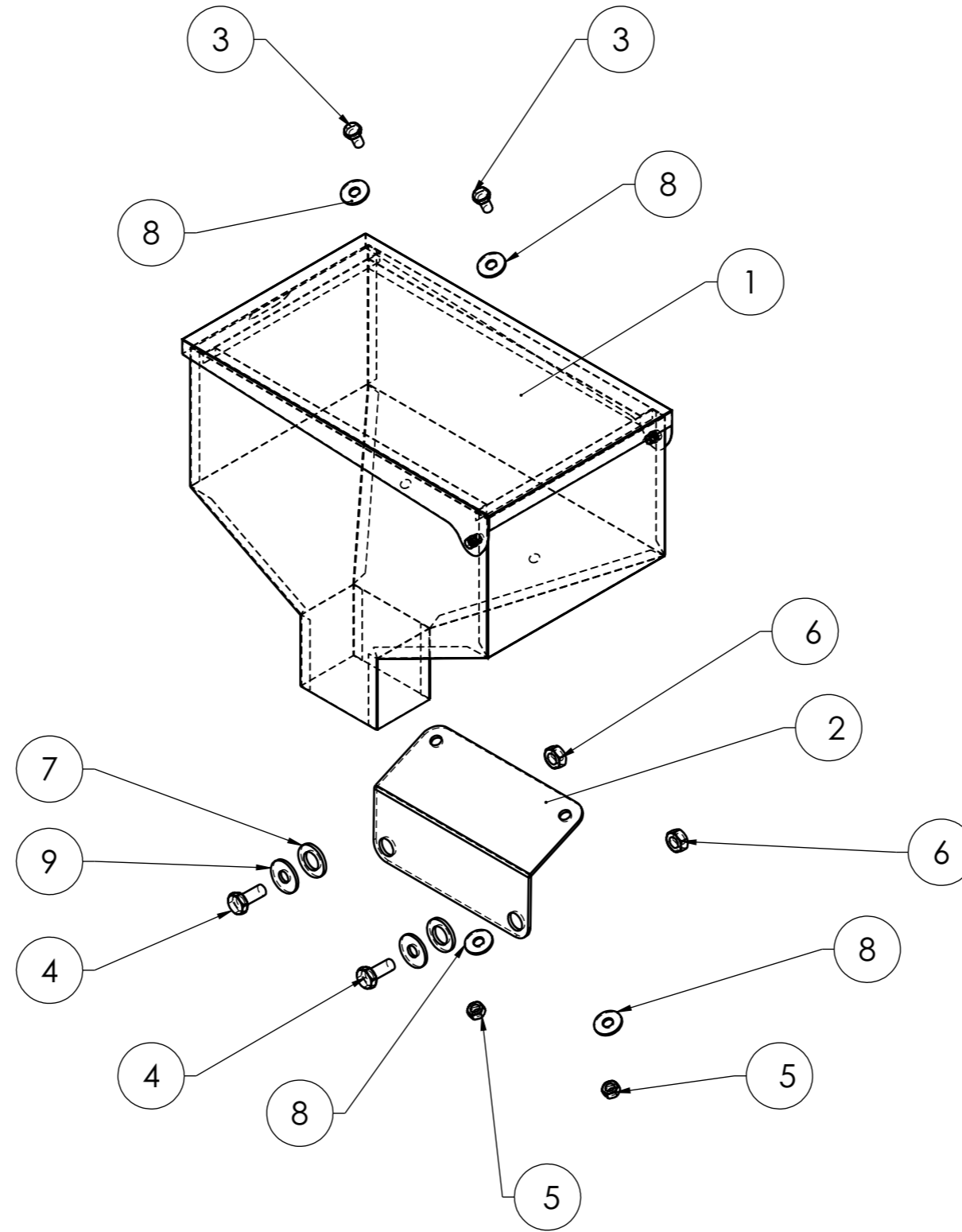




15 L Hopper KIT FOR MaterMacc MS0

100-00-VVV-00008-19 Rev. 00

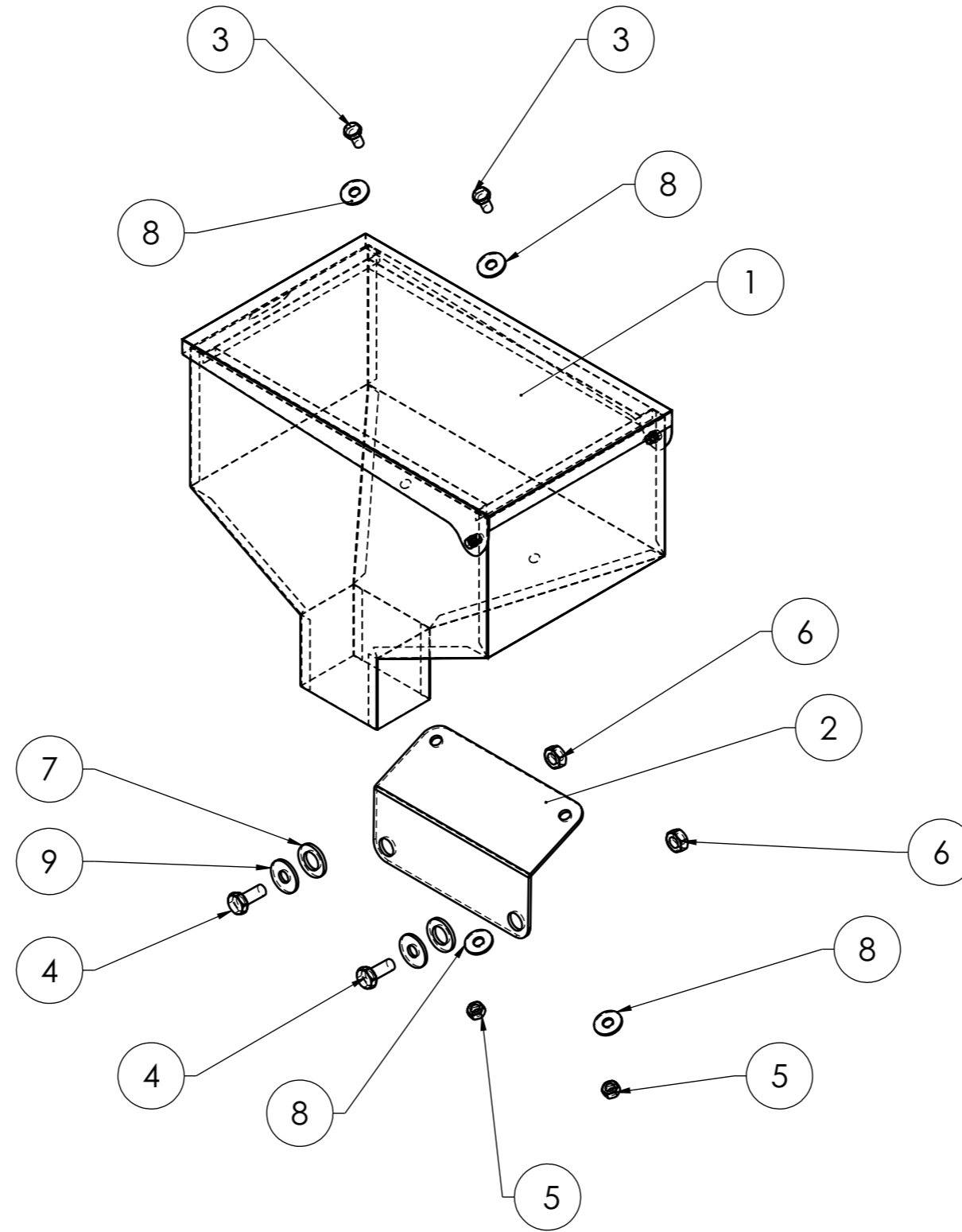




15 L Hopper KIT FOR MaterMacc MSO

100-00-VVV-00008-19 Rev. 00

REF.	Q.TY	DESCRIPTION	CODE
1	1	Hopper 15 L 6/10 mm FOR MaterMacc MSO	100-00-A0A-00010
2	1	15 L TANK SUPPORT FOR MaterMacc MSO	100-00-P0A-00175
3	2	TE SCREWS M8x16 - 8.8 ZN UNI 5739	999-00-C0A-20816
4	2	TE SCREW M10x25 - 8.8 ZN UNI 5739	999-00-C0A-21025
5	2	HEX NUT M8 ZN UNI 5588	999-00-C0B-10008
6	2	HEXAGONAL NUT M10 ZN UNI 5588	999-00-C0B-10010
7	2	FLAT WASHER M16 ZN UNI 6592	999-00-C0C-00016
8	4	WIDE BAND FLAT WASHER 9x24 UNI 6593	999-00-C0C-20924
9	2	WIDE BAND FLAT WASHER 11x30 UNI 6593	999-00-C0C-21130





KIT SERBATOIO 15 L PER MaterMacc MSO

100-00-VVV-00008-19 Rev. 00

RIF.	Q.TA'	DESCRIZIONE	CODICE
1	1	MONT. SERBATOIO 15 L 6/10 mm PER MaterMacc MSO	100-00-A0A-00010
2	1	SUPPORTO SERBATOIO 15 L PER MaterMacc MSO	100-00-P0A-00175
3	2	VITE TE M8x16 - 8.8 ZN UNI 5739	999-00-C0A-20816
4	2	VITE TE M10x25 - 8.8 ZN UNI 5739	999-00-C0A-21025
5	2	DADO ESAGONALE M8 ZN UNI 5588	999-00-C0B-10008
6	2	DADO ESAGONALE M10 ZN UNI 5588	999-00-C0B-10010
7	2	RONDELLA PIANA M16 ZN UNI 6592	999-00-C0C-00016
8	4	RONDELLA PIANA A FASCIA LARGA 9x24 UNI 6593	999-00-C0C-20924
9	2	RONDELLA PIANA A FASCIA LARGA 11x30 UNI 6593	999-00-C0C-21130