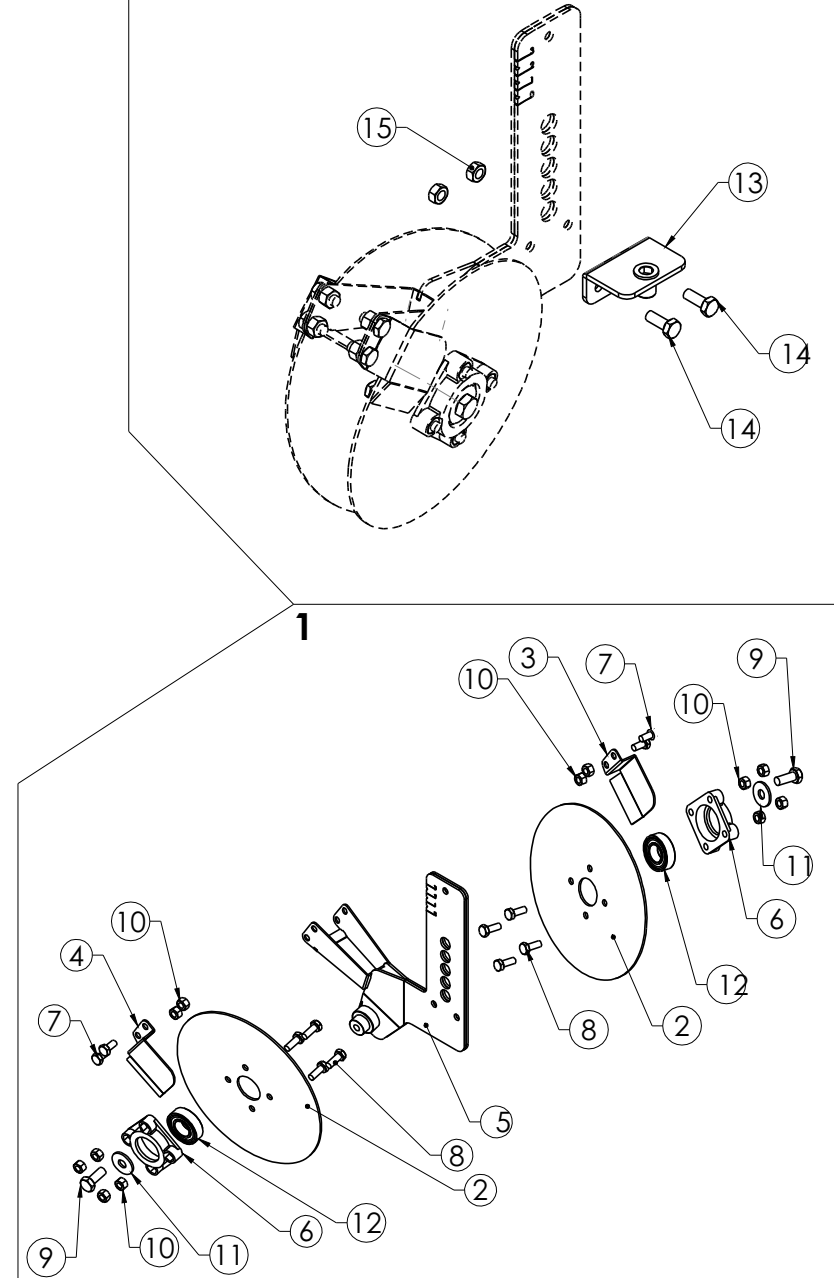


### SCREW DEPTH ADJUSTMENT



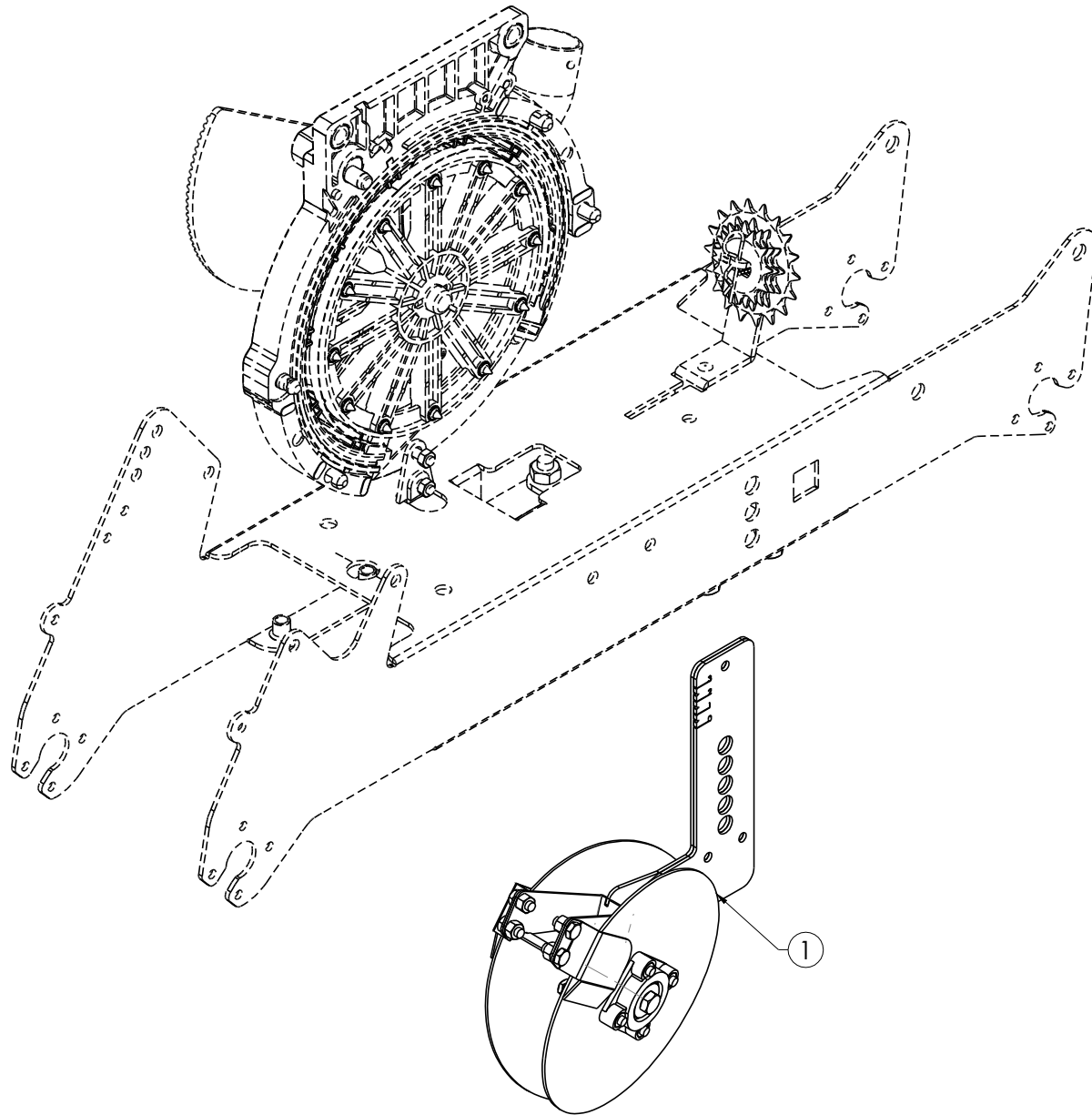


# DOUBLE FURLOW OPENER DISC

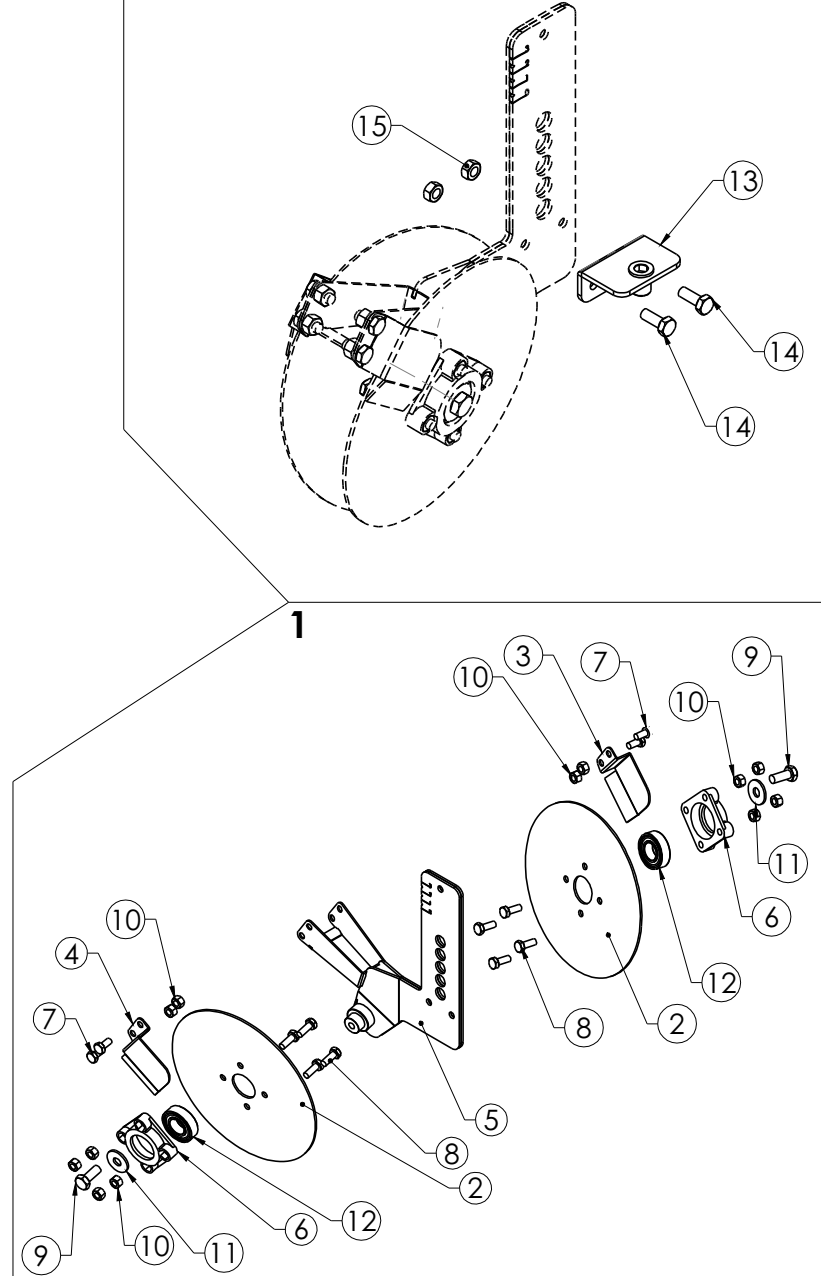
100-00-VVV-00075-77

Rev. 00

REF.	Q.TY	DESCRIPTION	CODE
1	1	DOUBLE FOWL OPENER DISC ASSEMBLY	100-00-AOR-00010
<b>1 (100-00-AOR-00010)</b>			
2	2	FURROW OPENING DISC Ø170	100-00-POA-00285
3	1	LEFT DOUBLE DISC EXTERNAL GROUND SCRAPER	100-00-POA-00287
4	1	DOUBLE DISC EXTERNAL GROUND SCRAPER RIGHT	100-00-POA-00288
5	1	DOUBLE DISC SUPPORT	100-00-POC-00130
6	2	BEARING SUPPORT	100-00-POD-00003
7	4	TE SCREWS M6x12 - 8.8 ZN UNI 5739	999-00-C0A-20612
8	8	TE SCREWS M6x16 - 8.8 ZN UNI 5739	999-00-C0A-20616
9	2	TE SCREWS M8x20 - 8.8 ZN UNI 5739	999-00-C0A-20820
10	12	HIGH HEX NUT M6 UNI 5587	999-00-C0B-20006
11	2	WIDE BAND FLAT WASHER 8x24 UNI 6593	999-00-C0C-20824
12	2	BEARING 6003-2RS	999-00-CAC-00001
<b>SCREW DEPTH ADJUSTMENT</b>			
13	1	LAM. REG. SCREW WITH INSERT	100-00-POC-00110
14	2	TE SCREW M6x16 - 8.8 ZN UNI 5739	999-00-C0A-20616
15	2	HEXAGONAL NUT M6 ZN UNI 5588	999-00-C0B-10006



REGOLAZIONE PROFONDITA' A VITE





# DOPPIO DISCO APRISOLCO

100-00-VVV-00075-77

Rev. 00

RIF.	Q.TA'	DESCRIZIONE	CODICE
1	1	MONTAGGIO DOPPIO DISCO APRISOLCO	100-00-A0R-00010
<b>1 (100-00-A0R-00010)</b>			
2	2	DISCO APRISOLCO Ø170	100-00-P0A-00285
3	1	RASCHIATERRA ESTERNO DOPPIO DISCO SX	100-00-P0A-00287
4	1	RASCHIATERRA ESTERNO DOPPIO DISCO DX	100-00-P0A-00288
5	1	SUPPORTO DOPPIO DISCO	100-00-POC-00130
6	2	SUPPORTO CUSCINETTO	100-00-POD-00003
7	4	VITE TE M6x12 - 8.8 ZN UNI 5739	999-00-C0A-20612
8	8	VITE TE M6x16 - 8.8 ZN UNI 5739	999-00-C0A-20616
9	2	VITE TE M8x20 - 8.8 ZN UNI 5739	999-00-C0A-20820
10	12	DADO ESAGONALE ALTO M6 UNI 5587	999-00-C0B-20006
11	2	RONDELLA PIANA A FASCIA LARGA 8x24 UNI 6593	999-00-C0C-20824
12	2	CUSCINETTO 6003-2RS	999-00-CAC-00001
<b>REGOLAZIONE PROFONDITA' A VITE</b>			
13	1	LAM. REG. A VITE CON INSERTO	100-00-POC-00110
14	2	VITE TE M6x16 - 8.8 ZN UNI 5739	999-00-C0A-20616
15	2	DADO ESAGONALE M6 ZN UNI 5588	999-00-C0B-10006