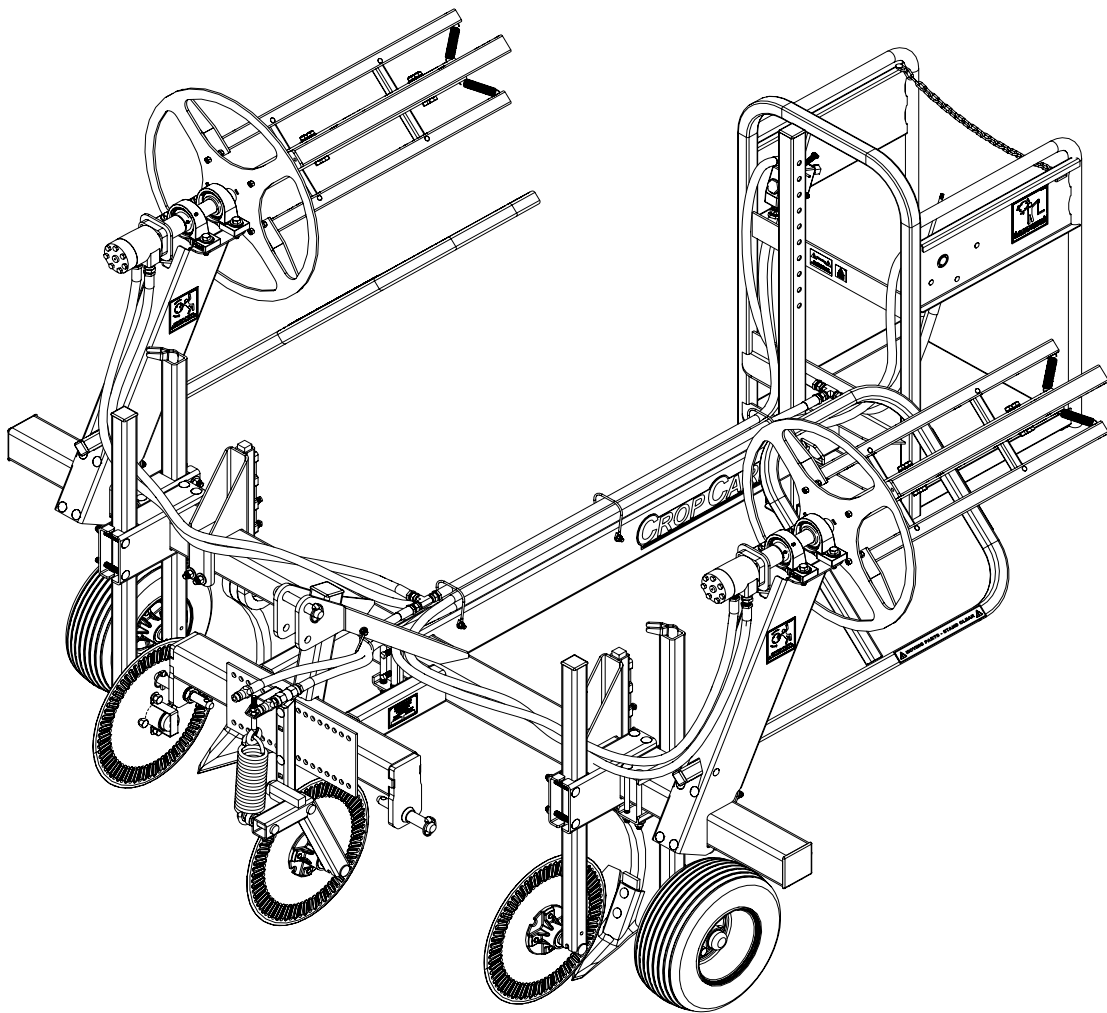


Parts Breakdown

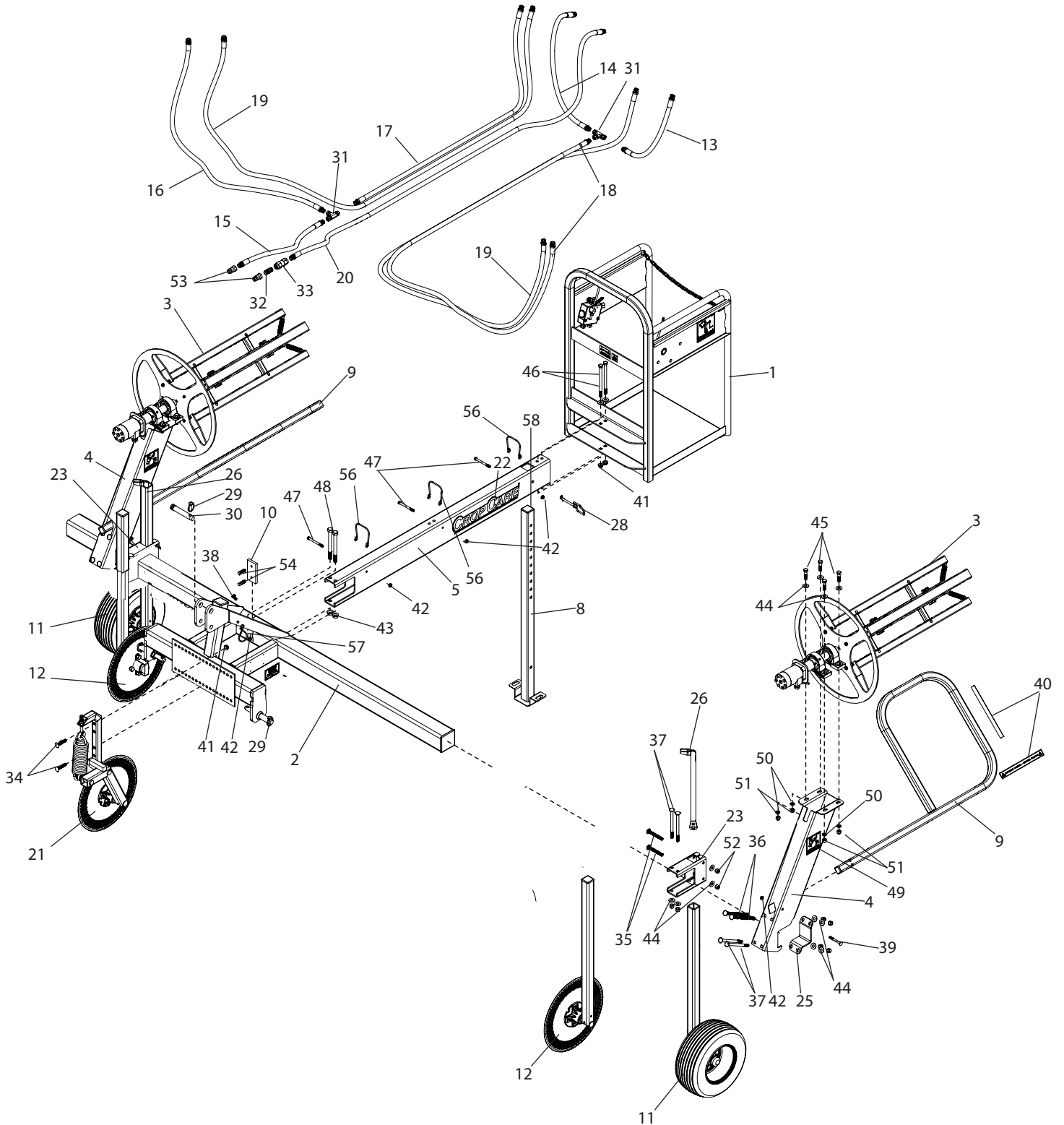
Plastic Lifter/Wrapper Model PR2500B



PBZ LLC | 295 Wood Corner Rd | Lititz PA 17543
www.CropCareEquipment.com | (717) 738-7365
A Paul B Zimmerman Inc. Company

PR2500B Breakdown

PR2500B Breakdown



PR2500B Breakdown

PR2500B Parts List

Ref#	Qty	Part Number	Description
1	1	PR2500-1 *	Plastic Wrapper, Operator's Platform
2	1	PR2500-2 *	Plastic Wrapper, Toolbar
3	2	PR2500-3 *	Plastic Wrapper, Reel Assembly
4	2	PR2545	Plastic Wrapper, Reel mounting post
5	1	PR2504	Plastic Wrapper, Cage tube
8	1	PR2507	Plastic Wrapper, Rear leg stand
9	2	PR2500-9 *	Plastic Wrapper, Plastic guard
10	1	PR2508	Wrapper cage tube clamping plate
11	2	PR2510 *	Gauge post & wheel w/tire assembly
12	2	PR2517 *	Side coulter assembly
13	1	PR2523-01 +	28" Hose
14	1	PR2523-02 +	38" Hose
15	1	PR2523-03 +	44" Hose
16	1	PR2523-04 +	63" Hose
17	1	PR2523-05 +	79" Hose
18	1	PR2523-06 +	112" Hose
19	2	PR2523-07 +	130" Hose
20	1	PR2523-08 +	134" Hose
21	1	PR2525 *	Center coulter assembly with blade
22	2	DE47	Decal, CropCare Logo 3.75" x 19.25"
23	2	PR2542	Toolbar clamp, gauge wheel
25	2	PR2546	Reel post clamp
26	2	PR2548	Release bar tool
27	8	1475UV	Cable Tie, 14" 75 Lb Black
28	1	01518	Pin, Hitch 3/8" x 3-1/2" Cold Forged
29	3	02703	Pin, Linch 7/16" Cat 1 & 2
30	1	03011	Pin, Top Link Cat 2 (4-5/16" Usable)
31	2	1603-08-08-08	Tee, Hyd 1/2" FPT Swivel
32	1	5404-08-08	Nipple, Hyd 1/2" MPT x 1/2" MPT
33	1	ATR08	Valve, Hyd Check 1/2" FPT 5 PSI
34	2	CB12*212G5	Bolt, Carriage 1/2-13 x 2-1/2" Gr 5
35	4	CB12*4G5	Bolt, Carriage 1/2-13 x 4" Gr 5
36	4	H5C12*712	Bolt, Carriage 1/2-13 x 7 1/2" Gr 5
37	8	CB12*7G5	Bolt, Carriage 1/2-13 x 7" Gr 5
38	1	CB38*114G5	Bolt, Carriage 3/8-16 x 1-1/4" Gr 5
39	2	CB38*314G5	Bolt, Carriage 3/8-16 x 3-1/4" Gr 5
40	4	DE128	Decal, Moving Parts Stand Clear
41	4	FN12	Nut, Flange 1/2-13
42	6	FN38	Nut, Flange 3/8-16
43	2	FN58	Nut, Flange 5/8-11
44	30	FW12	Washer, Flat 1/2" USS
45	8	H5C12*2	Bolt, Hex 1/2-13 x 2" Gr 5
46	2	H5C12*712	Bolt, Hex 1/2-13 x 7-1/2" Gr 5
47	3	H5C38*4	Bolt, Hex 3/8-16 x 4" Gr 5
48	2	H5C58*7	Bolt, Hex 5/8-11 x 7" Gr 5
49	4	DE127	Decal, Moving Parts Stand Clear
50	8	LW12	Washer, Lock 1/2"
51	8	NC12	Nut, Hex 1/2-13
52	16	NNC12	Nut, Lock Nylon 1/2-13
53	2	S71-4	Tip, Hyd Male 1/2" FPT Fits S20-S40-S70

* See support page for component breakdown.

+ Parts are component parts of PR2523.

PR2500B Breakdown

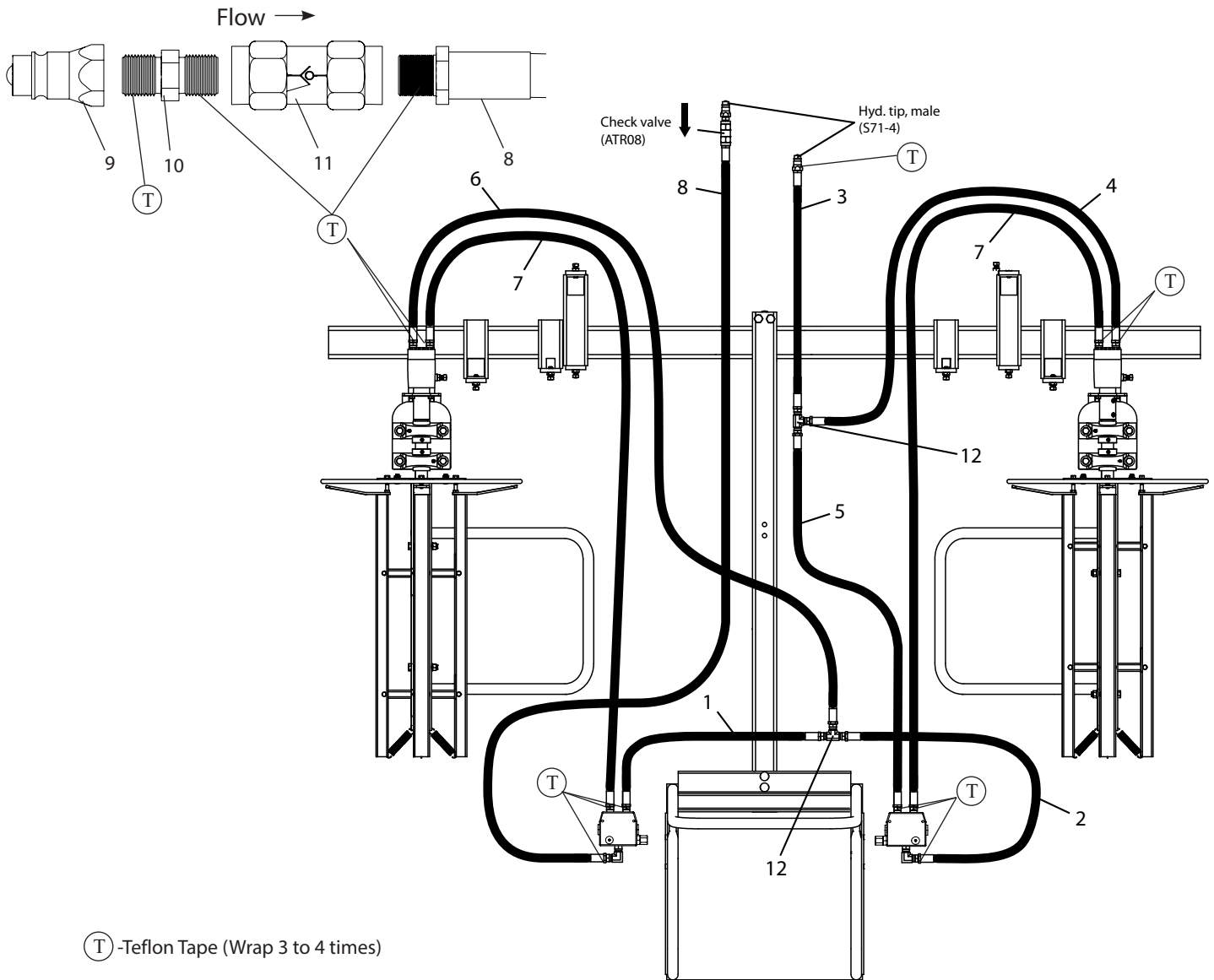
PR2500B Parts List

Ref#	Qty	Part Number	Description
55	2	SHS12*112Z	Set Screw, Sq Hd 1/2-13x1-1/2" Zinc
56	3	T476	Control Post Hose Guide
57	1	T880	Clip, Single Wire Hose
58	1	CC5515	Plug, Poly Square 2" x 10-14 Ga Black

* See support page for component breakdown.

PR2500B Breakdown

PR2523 Breakdown



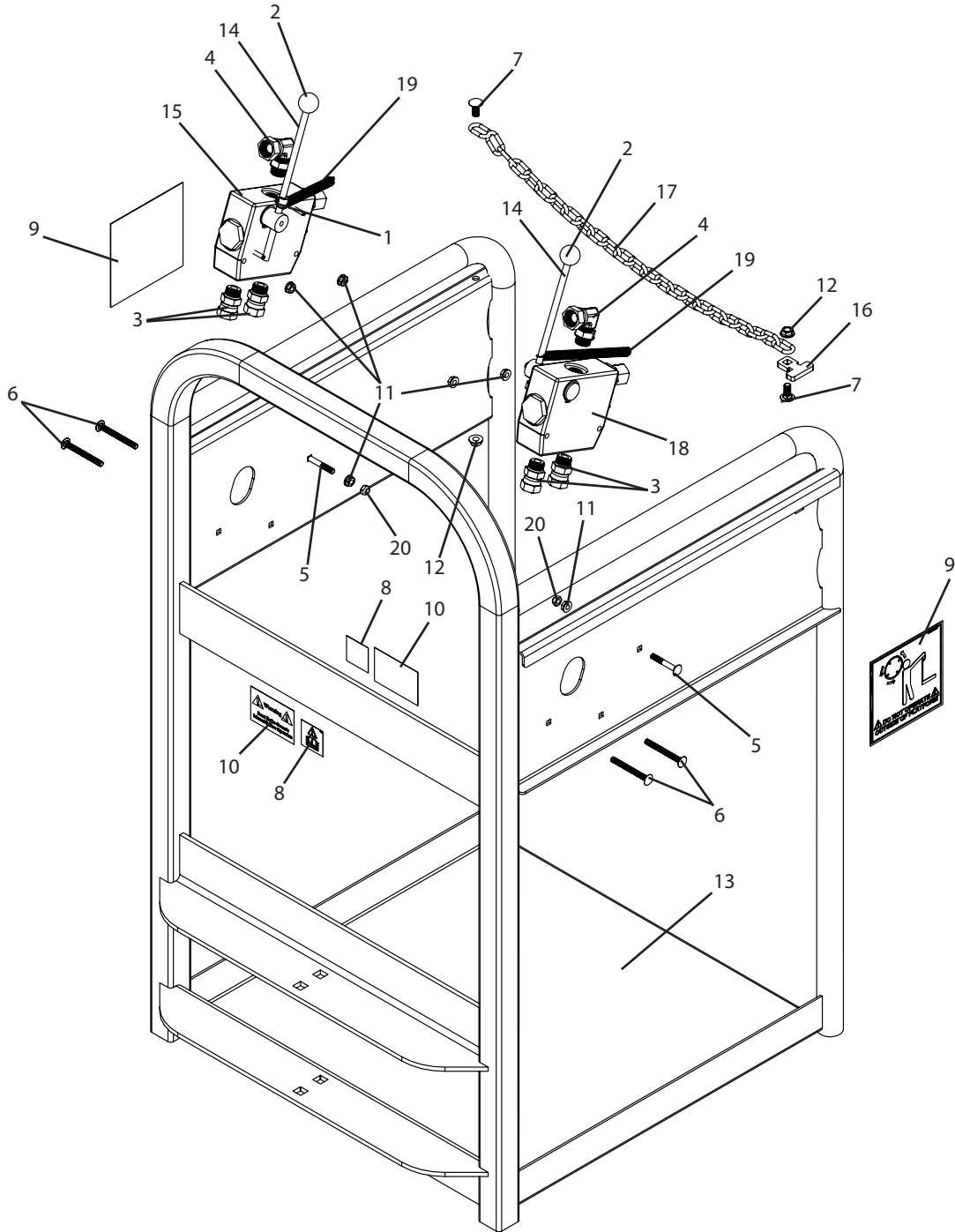
(T) -Teflon Tape (Wrap 3 to 4 times)

Ref #	Qty.	Part Number	Description
1	1	PR2523-01 +	28"L 1/2" Rubber hydraulic hose
2	1	PR2523-02 +	38"L 1/2" Rubber hydraulic hose
3	1	PR2523-03 +	44"L 1/2" Rubber hydraulic hose
4	1	PR2523-04 +	63"L 1/2" Rubber hydraulic hose
5	1	PR2523-05 +	79"L 1/2" Rubber hydraulic hose
6	1	PR2523-06 +	112"L 1/2" Rubber hydraulic hose
7	2	PR2523-07 +	130"L 1/2" Rubber hydraulic hose
8	1	PR2523-08 +	134"L 1/2" Rubber hydraulic hose
9	2	S71-4	Tip, Hyd Male 1/2" FPT fits S20-S40-S70
10	1	5404-08-08	Nipple, Hyd 1/2" MPT x 1/2" MPT
11	1	ATR08	Valve, Hyd Check 1/2" FPT 5 PSI
12	2	1603-08-08-08	Tee, Hyd 1/2" FPT Swivel (3)

+ Parts are component parts of PR2523. The rest are for reference only and are included as components in PR2500B.

PR2500B Breakdown

PR2500-1 Breakdown



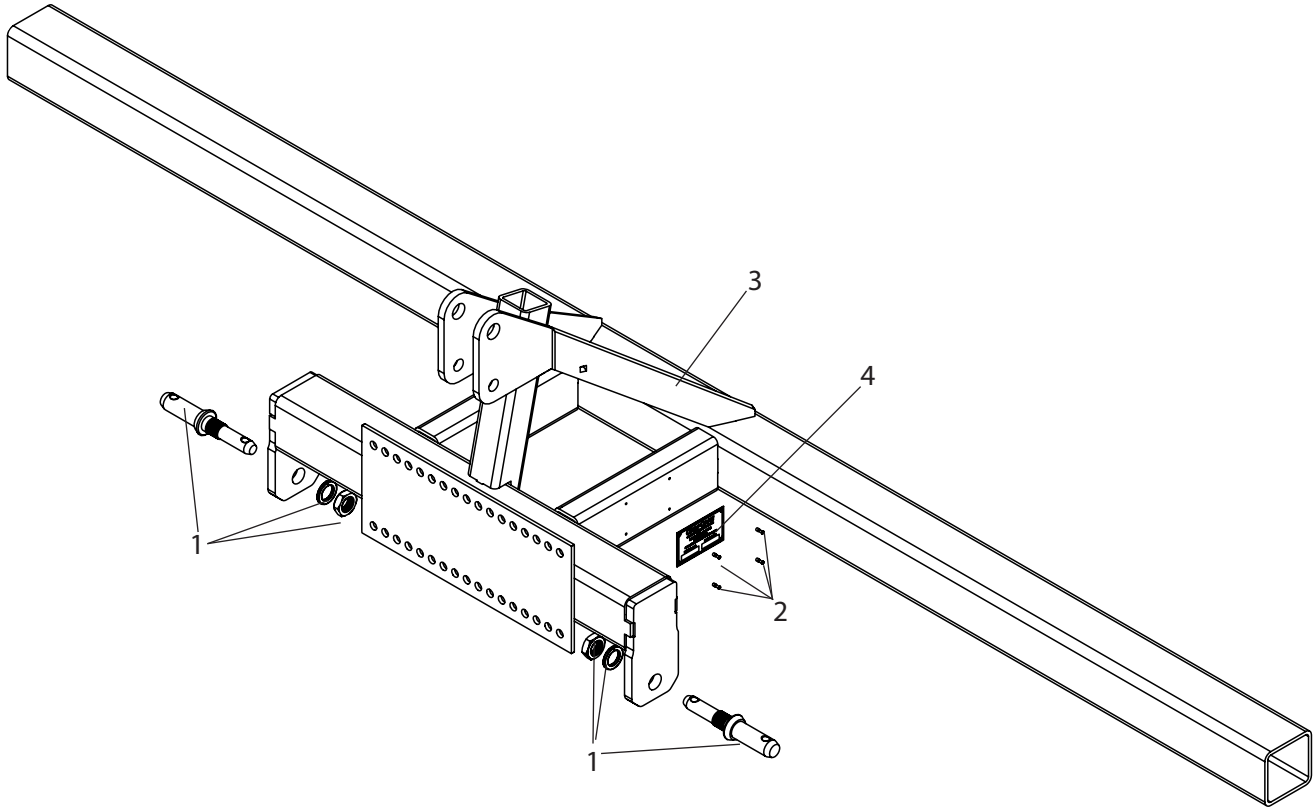
PR2500B Breakdown

PR2500-1 Parts List

Ref#	Qty.	Part Number	Description
1	2	0313P	Shaft Collar, 5/16"
2	2	3FKN5	Knob, 1" Dia x 5/16"-18 w/Steel Insert
3	4	6900-08-08	Adapter, Hyd Straight 3/4-16 Male ORB x 1/2-14 Female NPSM Swivel
4	2	6901-08-08	Adapter, Hyd Elbow 3/4-16 Male ORB x 1/2-14 Female NPSM Swivel
5	2	CB14*134G5	Bolt, Carriage 1/4-20 x 1-3/4" Gr 5
6	4	CB14*212G5	Bolt, Carriage 1/4-20 x 2-1/2" Gr 5
7	2	CB516*34G5	Bolt, Carriage 5/16-18 x 3/4" Gr 5
8	2	DE115	Decal, Read Owners Manual
9	2	DE129	Decal, Do Not Operate Outside Of Platform
10	2	DE39	Decal, "Warning Read Owner's Manual
11	6	FN14	Nut, Flange 1/4-20
12	2	FN516	Nut, Flange 5/16-18
13	1	PR2503	Wrapper rear cage
14	2	PR2533	Flow control lever
15	1	PR2534	Flow control, right hand side
16	1	PR2549	Chain hook
17	1	PR2550	Plastic wrapper, safety chain
18	1	RDRS-108-16	Control, Flow 0-16 GPM w/Relief #8 Ports
19	2	SC-78	Spring, Extension .437 " x 2.88" x .054" SS (S-576)
20	2	SNC14	Nut, Lock Steel 1/4-20

PR2500B Breakdown

PR2500-2 Breakdown

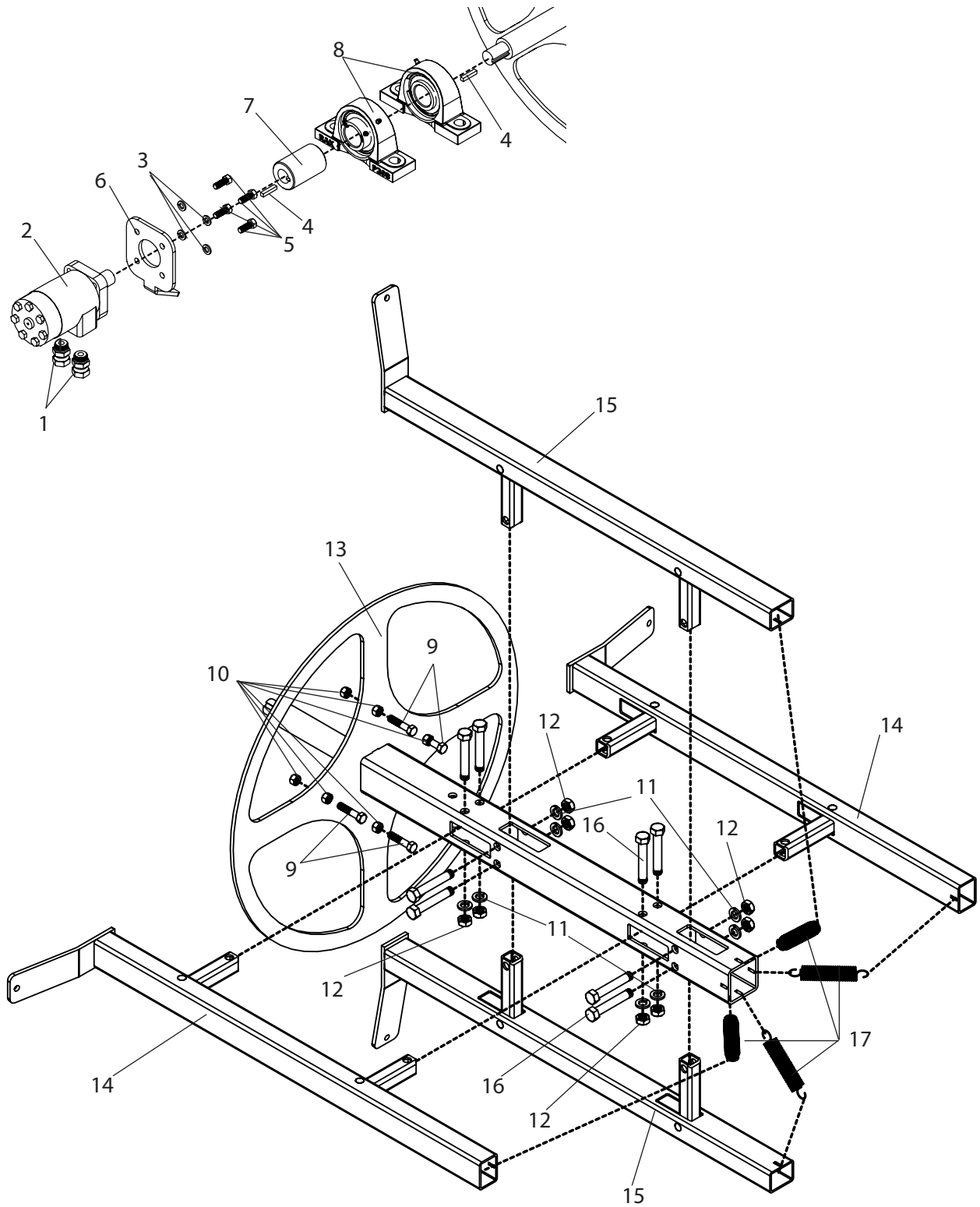


PR2500-2 Parts List

Ref#	Qty.	Part Number	Description
1	2	00213	Pin, Lift Arm Cat 1 & 2 Forged
2	4	BTT44	Rivet, Pop 1/8" Dia. x .188" x .250" Grip SS
3	1	PR2502	Wrapper tool bar
4	1	SP500	Plate, Serial Number

PR2500B Breakdown

PR2500-3 Breakdown



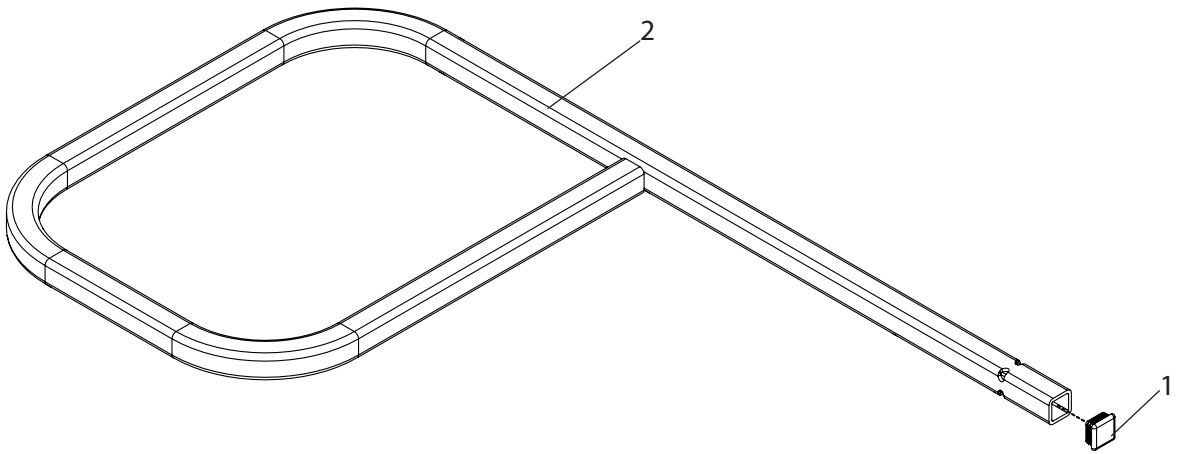
PR2500B Breakdown

PR2500-3 Parts List

Ref#	Qty.	Part Number	Description
1	2	6900-10-08	Adapter, Hyd Straight 7/8-14 Male ORB x 1/2-14 Female NPSM Swivel
2	1	EAEBMPH-100-H4-K-S	Motor, Hyd. 1" Shaft, #10 SAE Ports
3	4	H5C38*1	Bolt, Hex 3/8-16 x 1" Gr 5
4	2	KEY14	Key, Machine 1/4" x 1-1/4" Sq Ends
5	4	LW38	Washer, Lock 3/8"
6	1	PR2544	Reel motor plate
7	1	S1C-100-100-BLA	Coupling, Single Split 1" w/1/4" Keyway
8	2	UCP208-24P	Bearing, Pillow Block 1-1/2" Bore
9	4	H5C38*134	Bolt, Hex 3/8-16 x 1-3/4" Gr 5
10	8	JNC12	Nut, Jam 1/2-13
11	8	LW12	Washer, Lock 1/2"
12	8	NC38	Nut, Hex 3/8-16
13	1	PR2501A	Reel center tube w/ 1 1/2" shaft
14	2	PR2501B	Reel outer tube
15	2	PR2501C	Reel outer tube
16	8	PR2501E	Reel bolt, 1/2-13 x 4", trimmed to 3"
17	4	S-255	Spring, Extension .875" X 3.5" X .091 (78)

PR2500B Breakdown

PR2500-9 Breakdown

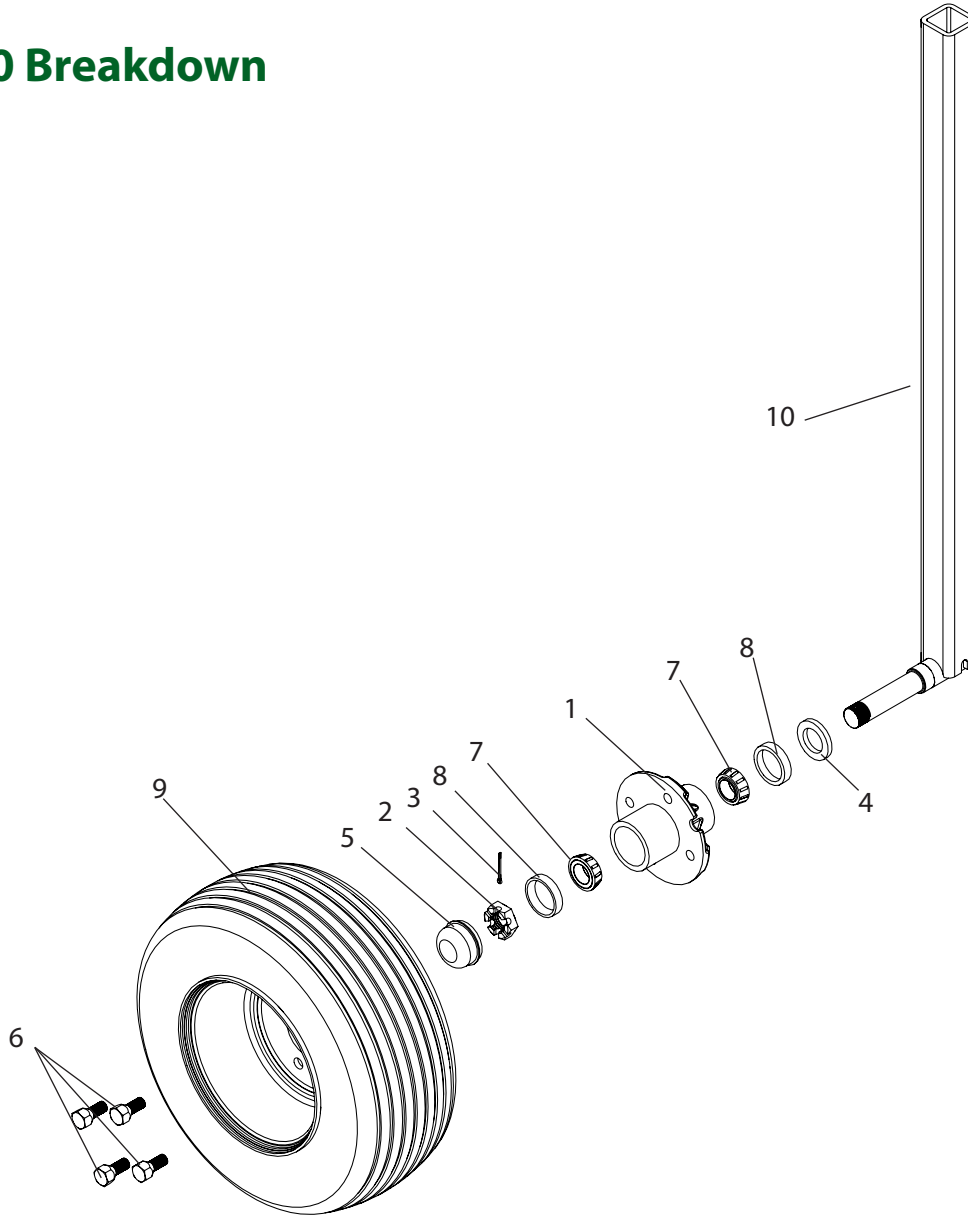


PR2500-9 Parts List

Ref#	Qty.	Part Number	Description
1	1	PPSQ112*10-14	Plug, Plastic 1-1/2" x 1-1/2" x 10-14 Ga
2	1	PR2547	Plastic guide

PR2500B Breakdown

PR2510 Breakdown



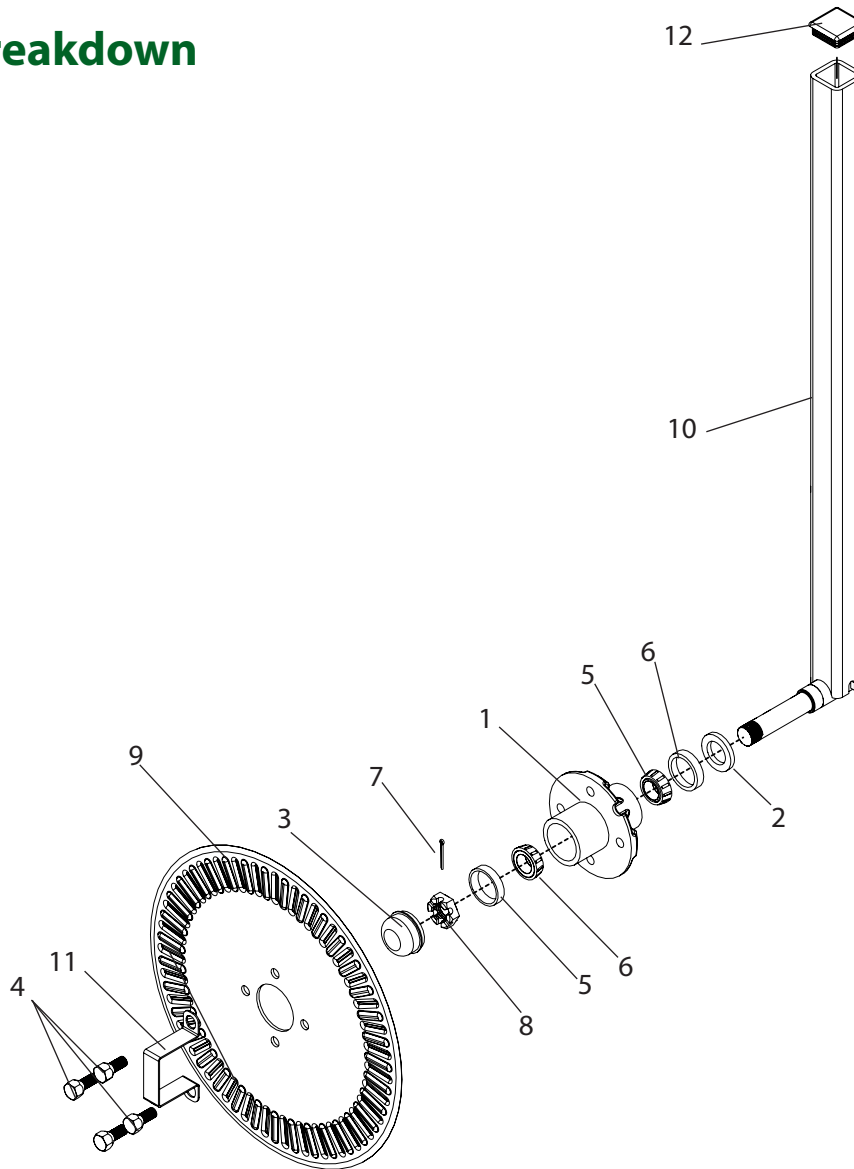
PR2510 Parts List

Ref#	Qty.	Part Number	Description
1	1	MWH4C	Hub, 4" bolt center, 1" taper bearing (Includes ref #'s 2-8)
2	1	CJNF1	* Castle jam nut
3	1	CT18*1	* Cotter pin, 3/32" x 1 1/2"
4	1	12192VB	* Oil seal, 1.25" I.D. x 1.979" O.D. x .25" W
5	1	1550	* Hub cap, 1.988" O.D. x 1.21" I.D.
6	4	5400820	* Wheel bolt, 1/2-20 x 1"
7	2	L44610	* Bearing cup, 1.98" O.D.
8	2	L44643	* Tapered bearing, 1"
9	1	MW16654TR	Air tire, 4 lug rim
10	1	PR2509	Gauge wheel tube and spindle

* Included in MWH4C

PR2500B Breakdown

PR2517 Breakdown



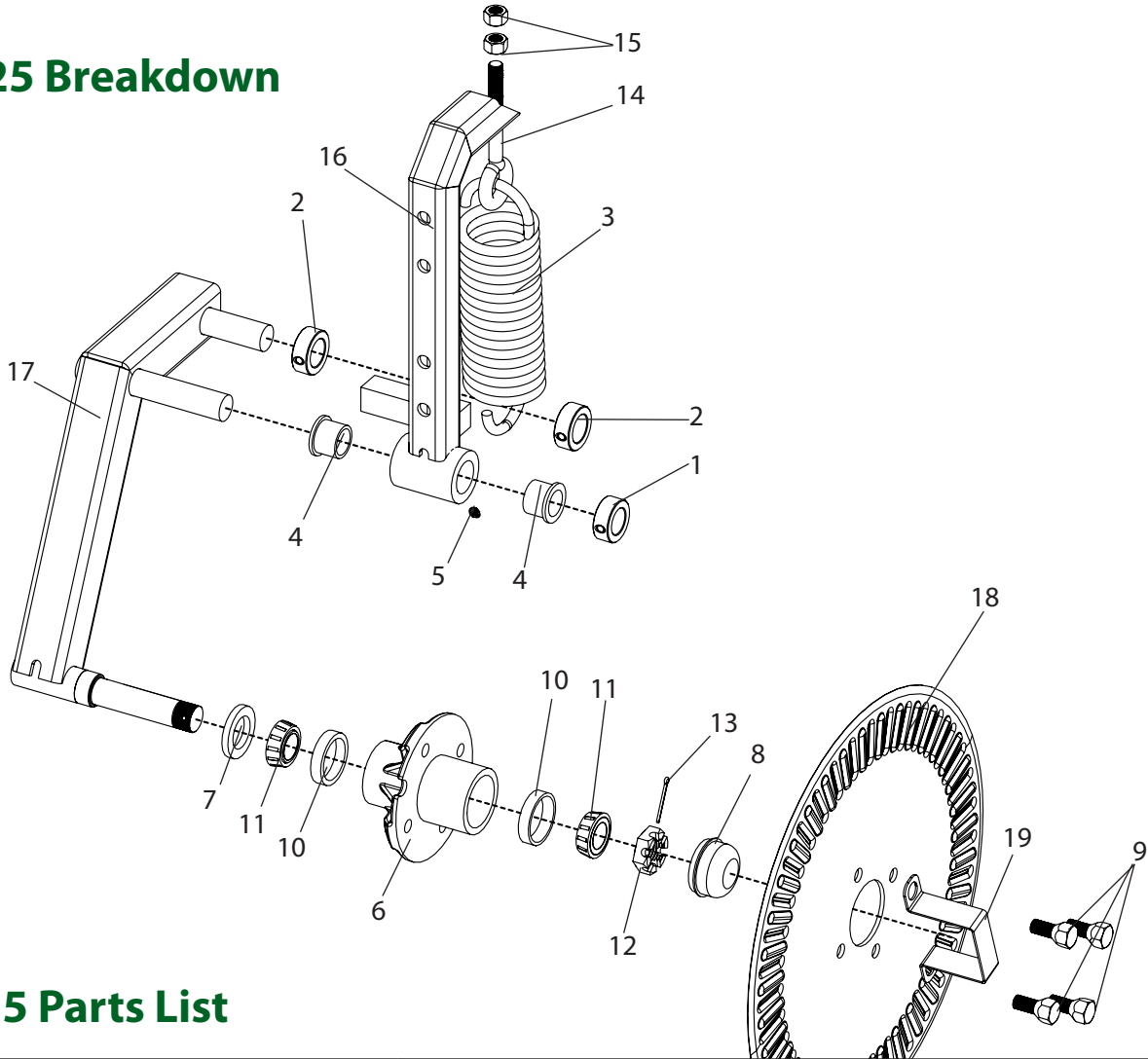
PR2517 Parts List

Ref#	Qty.	Part Number	Description
1	1	MWH4C	Hub, 4" bolt center, 1" taper bearing (Includes ref #'s 2-8)
2	1	12192VB	* Oil seal, 1.25" I.D. x 1.979" O.D. x .25" W
3	1	1550	* Hub cap, 1.988" O.D. x 1.21" I.D.
4	4	5400820	* Wheel bolt, 1/2-20 x 1"
5	2	L44610	* Bearing cup, 1.98" O.D.
6	2	L44643	* Tapered bearing, 1"
7	1	CT332*112	* Cotter pin
8	1	CJNF1	* Castle jam nut
9	1	PR2513	Fluted coultter blade, 17"
10	1	PR2509	Side coultter tube
11	1	PR2552	Coultter cap clamp
12	1	PPSQ2*4-8	Plug, Plastic 2" x 2" x 4-8 Ga

* Included in MWH4C

PR2500B Breakdown

PR2525 Breakdown



PR2525 Parts List

Ref#	Qty.	Part Number	Description
1	1	1000P	Shaft collar 1"
2	2	1063P	Shaft collar, 1 1/16"
3	1	12978	Spring 3" x 10"
4	2	FB1620-8	Bushing, 1" ID x 1 1/4" OD, 1" long flanged
5	1	GF101	Grease fitting 1/4-28 straight
6	1	MWH4C	Hub, 4" bolt center, 1" taper bearing (Includes ref #'s 7-13)
7	1	12192VB	* Oil seal, 1.25" I.D. x 1.979" O.D. x .25" W
8	1	1550	* Hub cap, 1.988" O.D. x 1.21" I.D.
9	4	5400820	* Wheel bolt, 1/2-20 x 1"
10	2	L44610	* Bearing cup, 1.98" O.D.
11	2	L44643	* Tapered bearing, 1"
12	1	CJNF1	* Castle jam nut
13	1	CT332*112	* Cotter pin
14	1	N221317	Eyebolt, 1/2" x 6"
15	2	NC12	Hex nut, 1/2-13
16	1	PR2505D	Center coulters mounting bracket
17	1	PR2512	Center coulters mounting tube
18	1	PR2513	Fluted coulters blade, 17"
19	1	PR2552	Coulters cap clamp

* Included in MWH4C