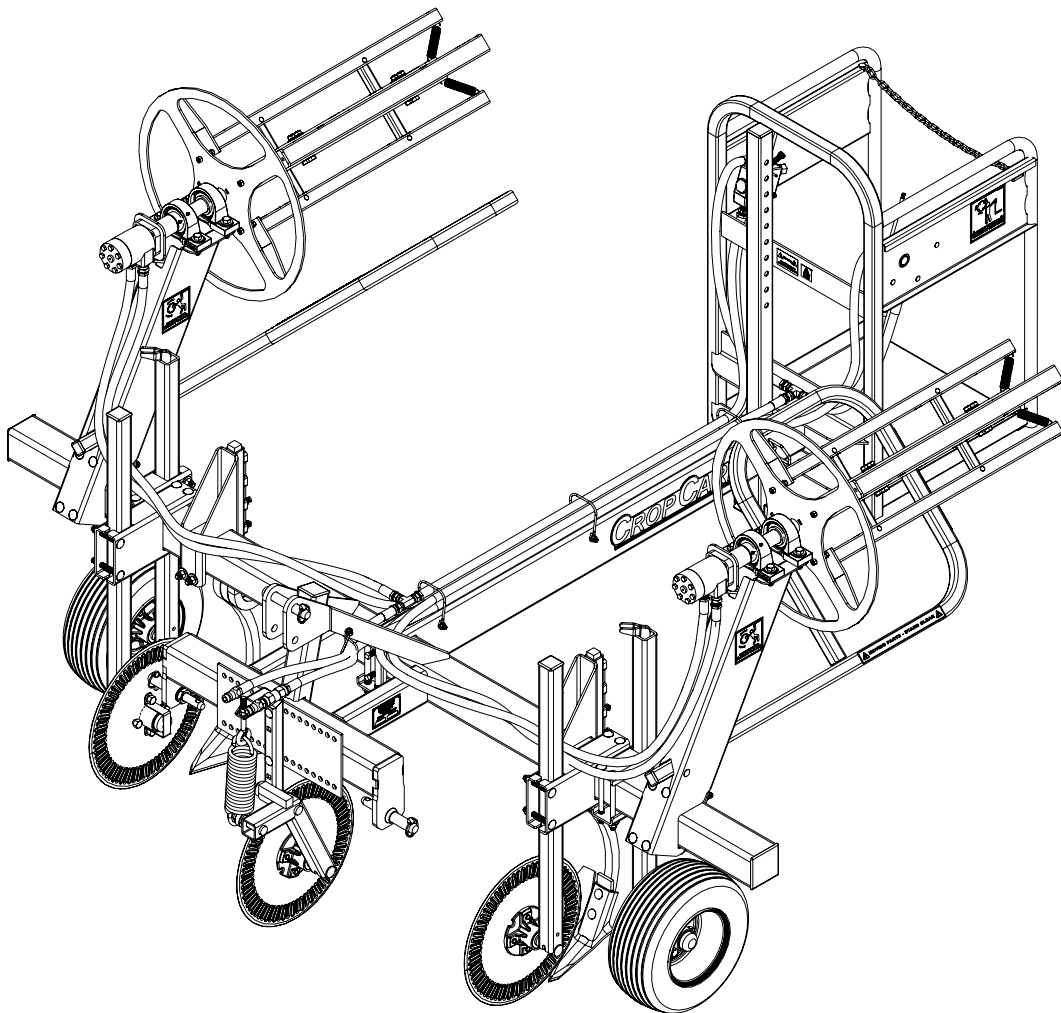




Assembly Manual

Model# PR2500 Plastic Mulch Lifter Wrapper

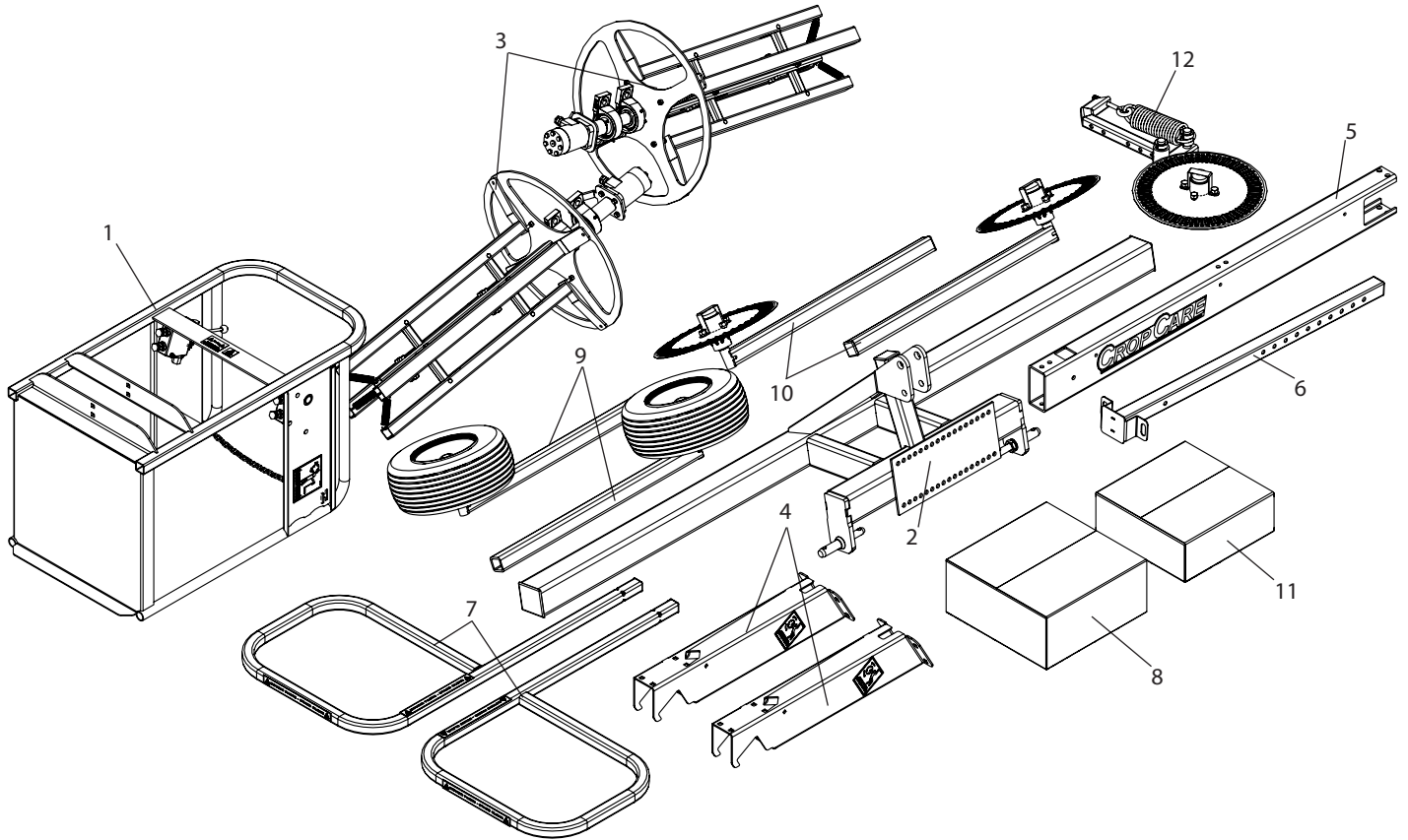


Manufactured by PBZ LLC
A Paul B Zimmerman Inc. Company
www.CropCareEquipment.com

Form PR2500AM
Rev. C.2 Date 10/19

PR2500 Assembly Instructions

Pallet Contents

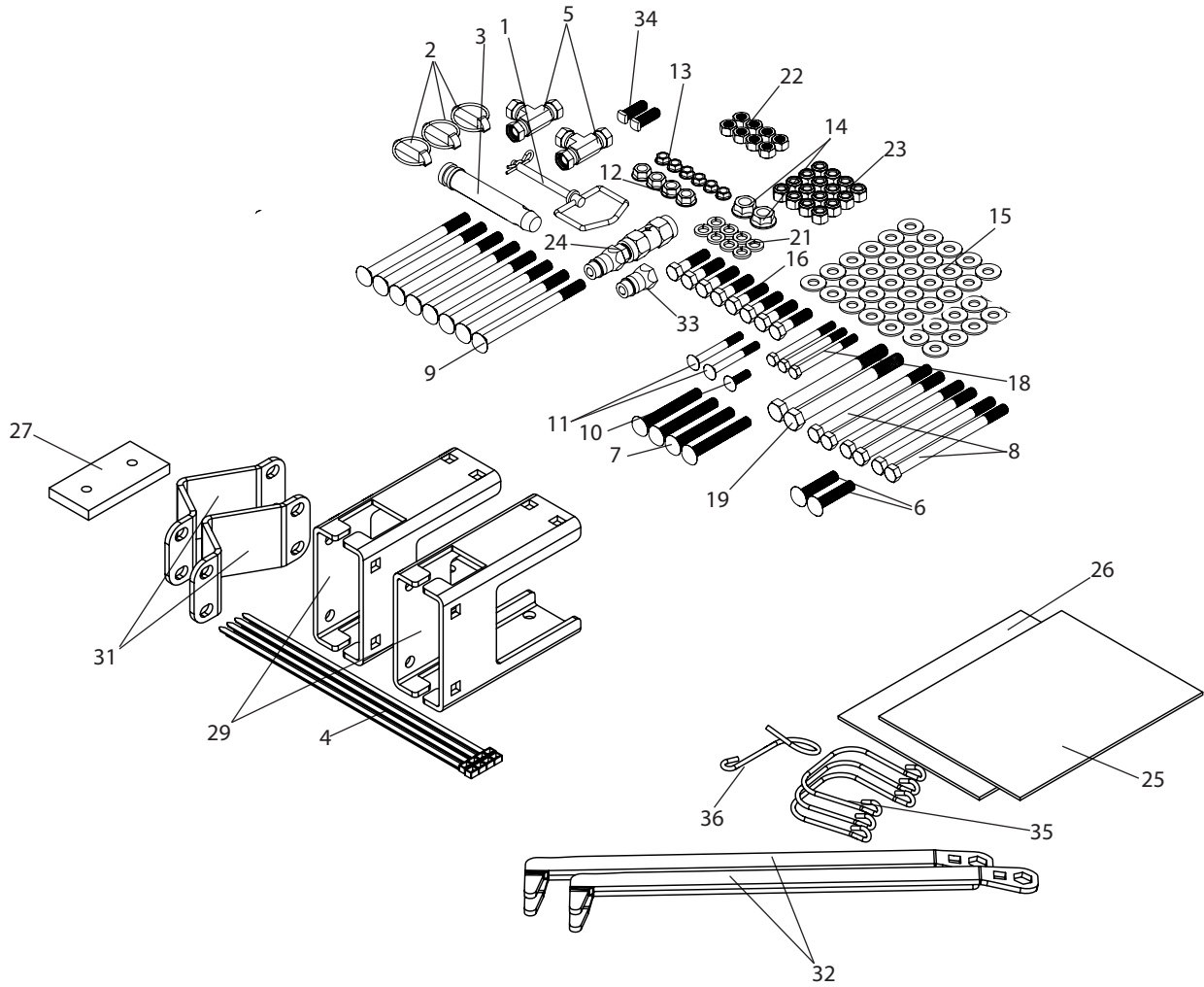


Ref#	Qty.	Part #	Description
1	1	PR2500-1	Plastic Wrapper, Operator's Platform
2	1	PR2500-2	Plastic Wrapper, Toolbar
3	2	PR2500-3	Plastic Wrapper, Reel Assembly
4	2	PR2545	Plastic Wrapper, Reel post
5	1	PR2504	Plastic Wrapper, Platform tube
6	1	PR2507	Plastic Wrapper, Rear leg stand
7	2	PR2500-8	Plastic Wrapper, plastic guides, left and right
8	1	PR2500-10	Plastic Wrapper, Hardware kit
9	2	PR2510	Gauge post & wheel w/tire assembly
10	2	PR2517	Side coulter assembly
11	1	PR2523	Hydraulic hose kit, boxed
12	1	PR2525	Center coulter assembly with blade

The plastic wrapper, model PR2500, comes partially assembled on a pallet and requires some assembly. Follow the step-by-step instructions to ensure proper assembly. Before assembling, ensure that the pallet contains all of the necessary components and parts.

PR2500 Assembly Instructions

Hardware Kit Contents (Breakdown)



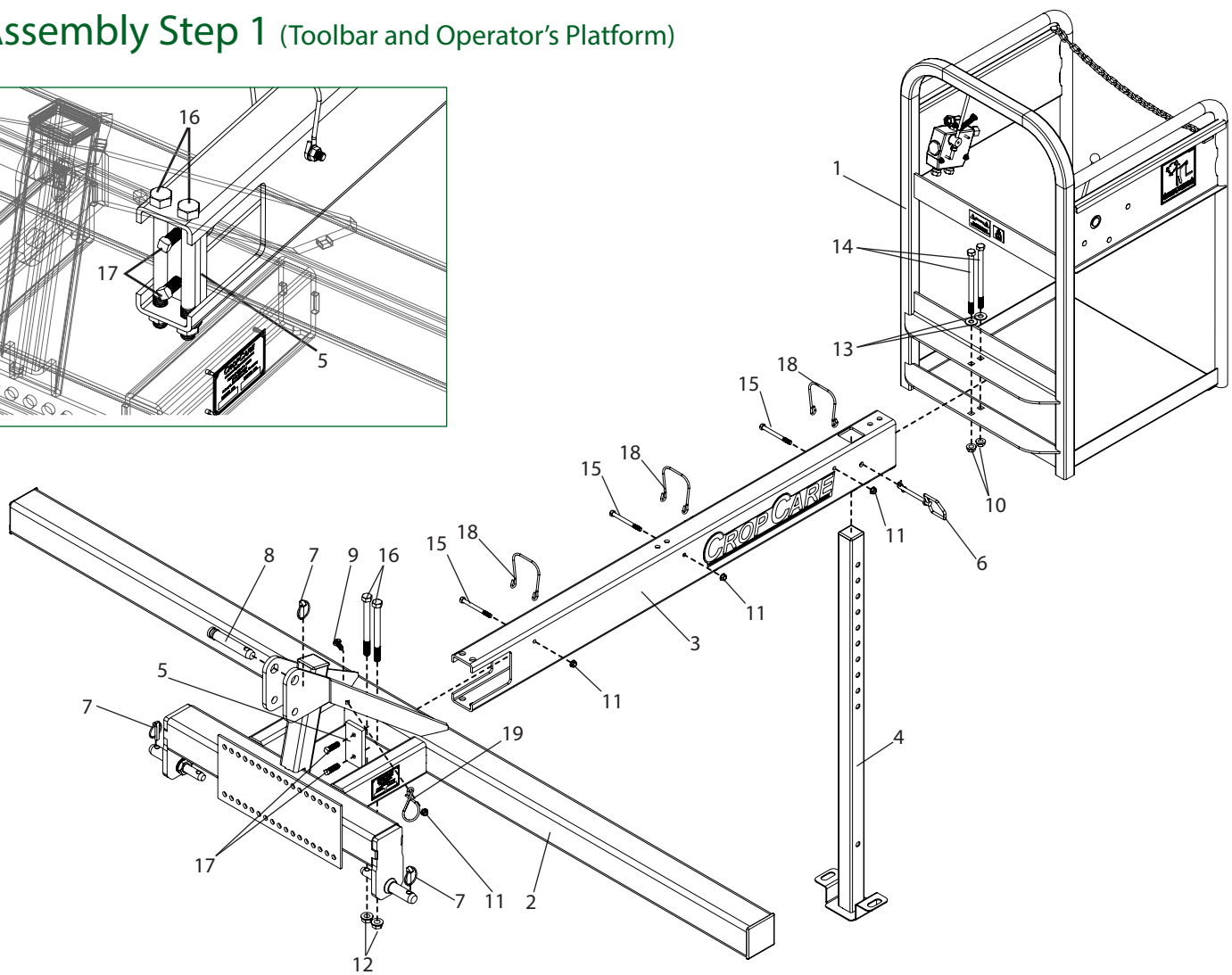
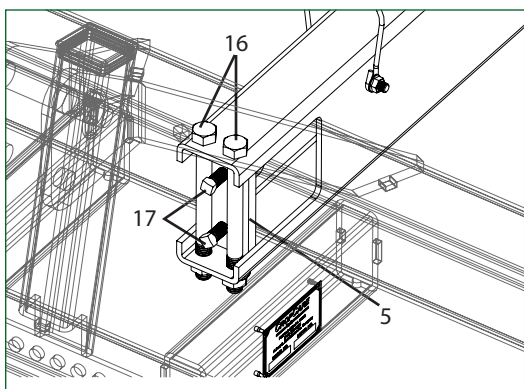
PR2500 Assembly Instructions

Hardware Kit Contents (Parts List)

Ref#	Qty.	Part #	Description
1	1	01518	Pin, Hitch 3/8" x 3-1/2" Cold Forged
2	3	02703	Pin, Linch 7/16" Cat 1 & 2
3	1	03011	Pin, Top Link Cat 2 (4-5/16" Usable)
4	8	1475UV	Cable Tie, 14" 75 Lb Black
5	2	1603-08-08-08	Tee, Hyd 1/2" FPT Swivel
6	2	CB12*212G5	Bolt, Carriage 1/2-13 x 2-1/2" Gr 5
7	4	CB12*4G5	Bolt, Carriage 1/2-13 x 4" Gr 5
8	6	H5C12*712	Bolt, Carriage 1/2-13 x 7 1/2" Gr 5
9	8	CB12*7G5	Bolt, Carriage 1/2-13 x 7" Gr 5
10	1	CB38*114G5	Bolt, Carriage 3/8-16 x 1-1/4" Gr 5
11	2	CB38*314G5	Bolt, Carriage 3/8-16 x 3-1/4" Gr 5
12	4	FN12	Nut, Flange 1/2-13
13	6	FN38	Nut, Flange 3/8-16
14	2	FN58	Nut, Flange 5/8-11
15	38	FW12	Washer, Flat 1/2" USS
16	8	H5C12*2	Bolt, Hex 1/2-13 x 2" Gr 5
18	3	H5C38*4	Bolt, Hex 3/8-16 x 4" Gr 5
19	2	H5C58*7	Bolt, Hex 5/8-11 x 7" Gr 5
21	8	LW12	Washer, Lock 1/2"
22	8	NC12	Nut, Hex 1/2-13
23	16	NNC12	Nut, Lock Nylon 1/2-13
24	1	PR2500-12	Plastic Wrapper, hydraulic check assembly
25	1	PR2500AM	Manual, Assembly Instructions Plastic Wrapper
26	1	PR2500OM	Manual, Owners Plastic Wrapper
27	1	PR2508	Wrapper cage tube clamping plate
29	2	PR2542	Toolbar clamp, gauge wheel
31	2	PR2546	Reel post clamp
32	2	PR2548	Release bar tool
33	1	S71-4	Tip, Hyd Male 1/2" FPT Fits S20-S40-S70
34	2	SHS12*112Z	Screw, Square Head Set 1/2-13 x 1-1/2" Zinc
35	3	T476	Control Post Hose Guide
36	1	T880	Clip, Single Wire Hose 1-7/8" ID x 3/8" Bolt Hole

PR2500 Assembly Instructions

Assembly Step 1 (Toolbar and Operator's Platform)

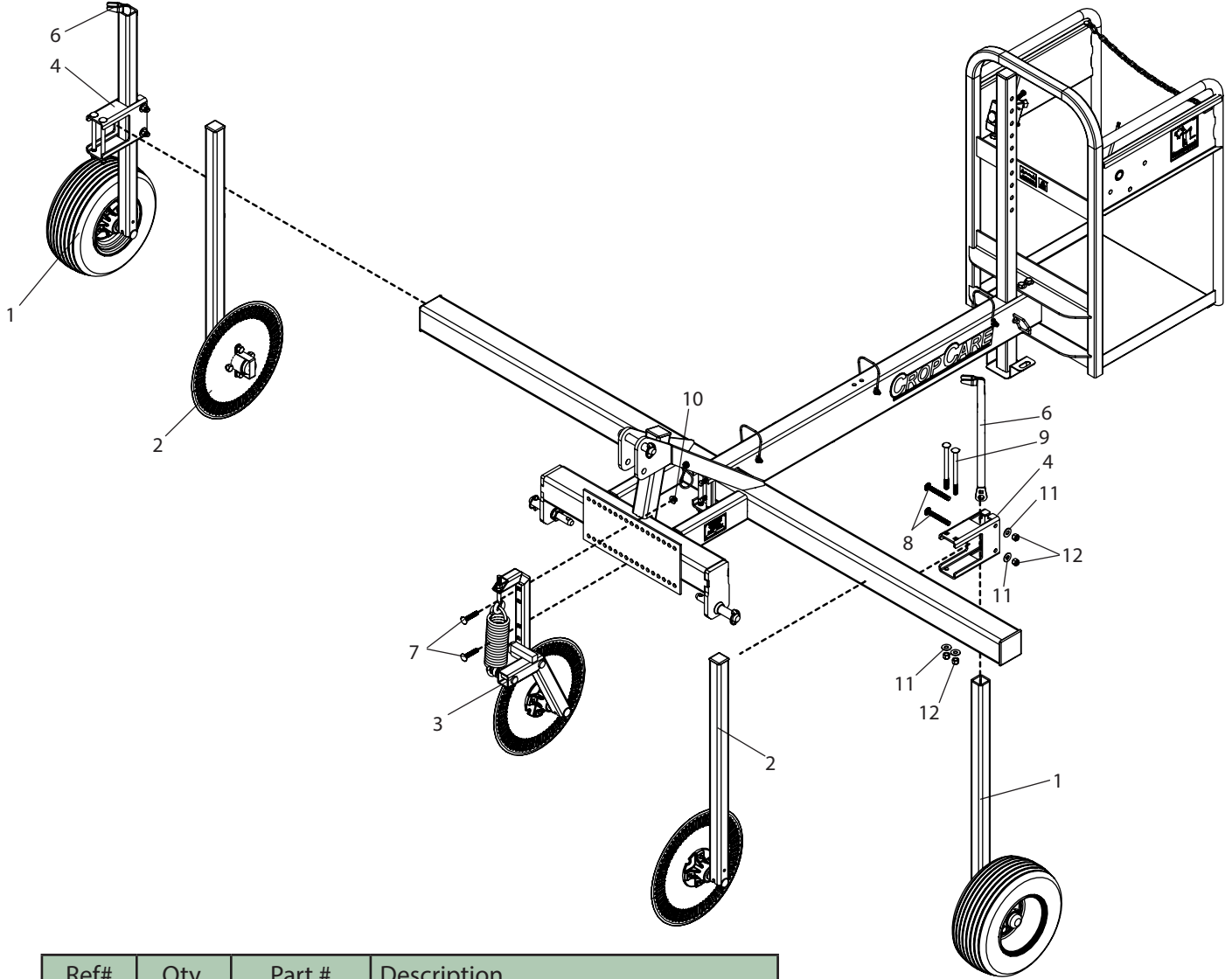


Ref#	Qty.	Part #	Description
1	1	PR2500-1	Plastic Wrapper, Operator's Platform
2	1	PR2500-2	Plastic Wrapper, Toolbar
3	1	PR2504	Plastic Wrapper, Platform tube
4	1	PR2507	Plastic Wrapper, Rear leg stand
5	1	PR2508	Wrapper cage tube clamping plate
6	1	01518	Pin, Hitch 3/8" x 3-1/2" Cold Forged
7	3	02703	Pin, Linch 7/16" Cat 1 & 2
8	1	03011	Pin, Top Link Cat 2 (4-5/16" Usable)
9	1	CB38*114G5	Bolt, Carriage 3/8-16 x 1-1/4" Gr 5
10	2	FN12	Nut, Flange 1/2-13
11	4	FN38	Nut, Flange 3/8-16
12	2	FN58	Nut, Flange 5/8-11
13	2	FW12	Washer, Flat 1/2" USS
14	2	H5C12*712	Bolt, Hex 1/2-13 x 7-1/2" Gr 5
15	3	H5C38*4	Bolt, Hex 3/8-16 x 4" Gr 5
16	2	H5C58*7	Bolt, Hex 5/8-11 x 7" Gr 5
17	2	SHS12*112Z	Screw, Square Head Set 1/2-13 x 1-1/2" Zinc
18	3	T476	Control Post Hose Guide
19	1	T880	Clip, Single Wire Hose 1-7/8" ID x 3/8" Bolt Hole

PR2500 Assembly Instructions

Assembly Step 2 (Coulters and gauge wheels)

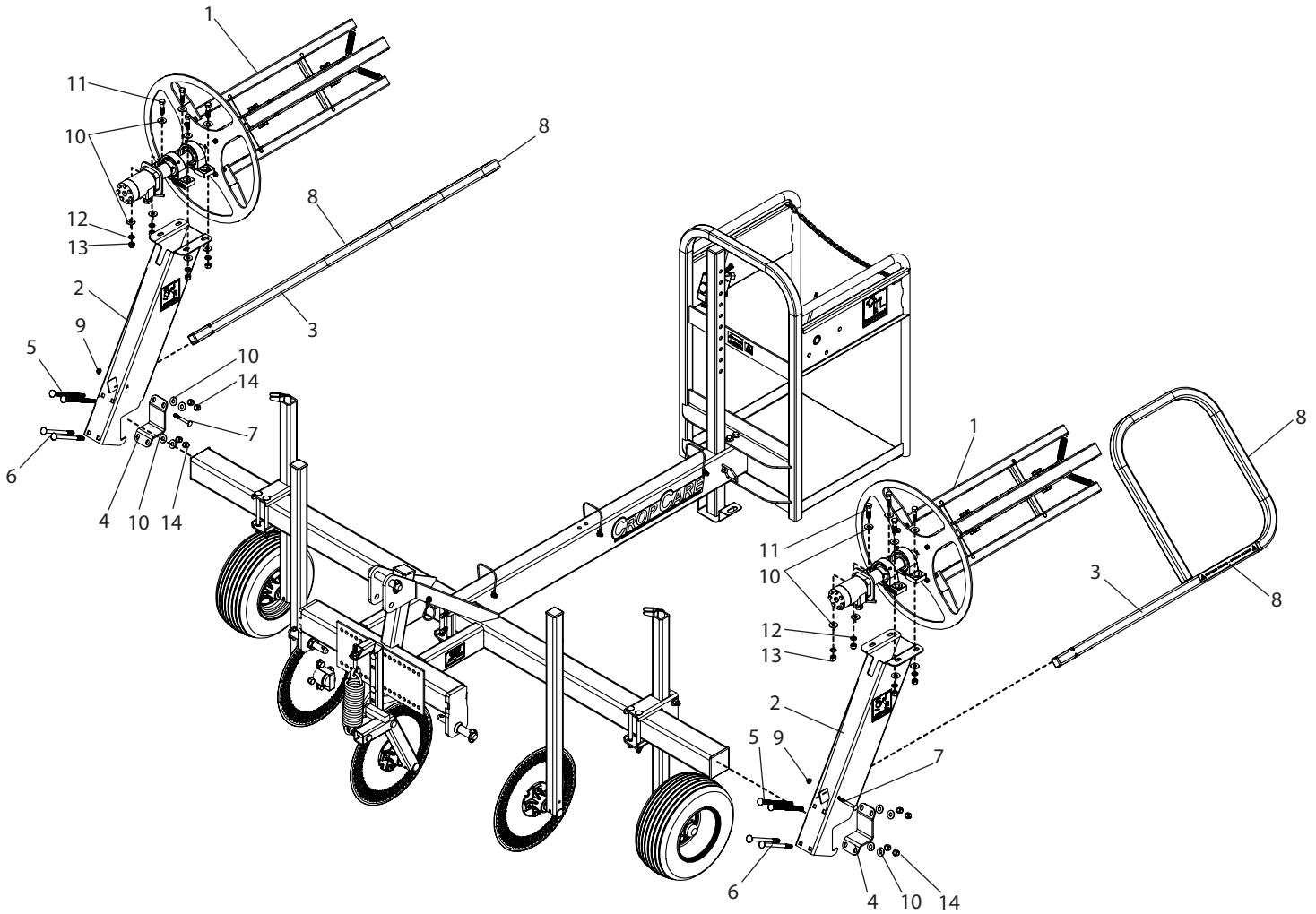
NOTE: Item 2 (PR2517) will be clamped into the clamps included in the shank kit that is purchased separately. See shovel and shank kit assembly manual for details.



Ref#	Qty.	Part #	Description
1	2	PR2510	Gauge post & wheel w/tire assembly
2	2	PR2517	Side coultter assembly
3	1	PR2525	Center coultter assembly with blade
4	2	PR2542	Toolbar clamp, gauge wheel
6	2	PR2548	Release bar tool
7	2	CB12*212G5	Bolt, Carriage 1/2-13 x 2-1/2" Gr 5
8	4	CB12*4G5	Bolt, Carriage 1/2-13 x 4" Gr 5
9	4	CB12*7G5	Bolt, Carriage 1/2-13 x 7" Gr 5
10	2	FN12	Nut, Flange 1/2-13
11	8	FW12	Washer, Flat 1/2" USS
12	8	NNC12	Nut, Lock Nylon 1/2-13

PR2500 Assembly Instructions

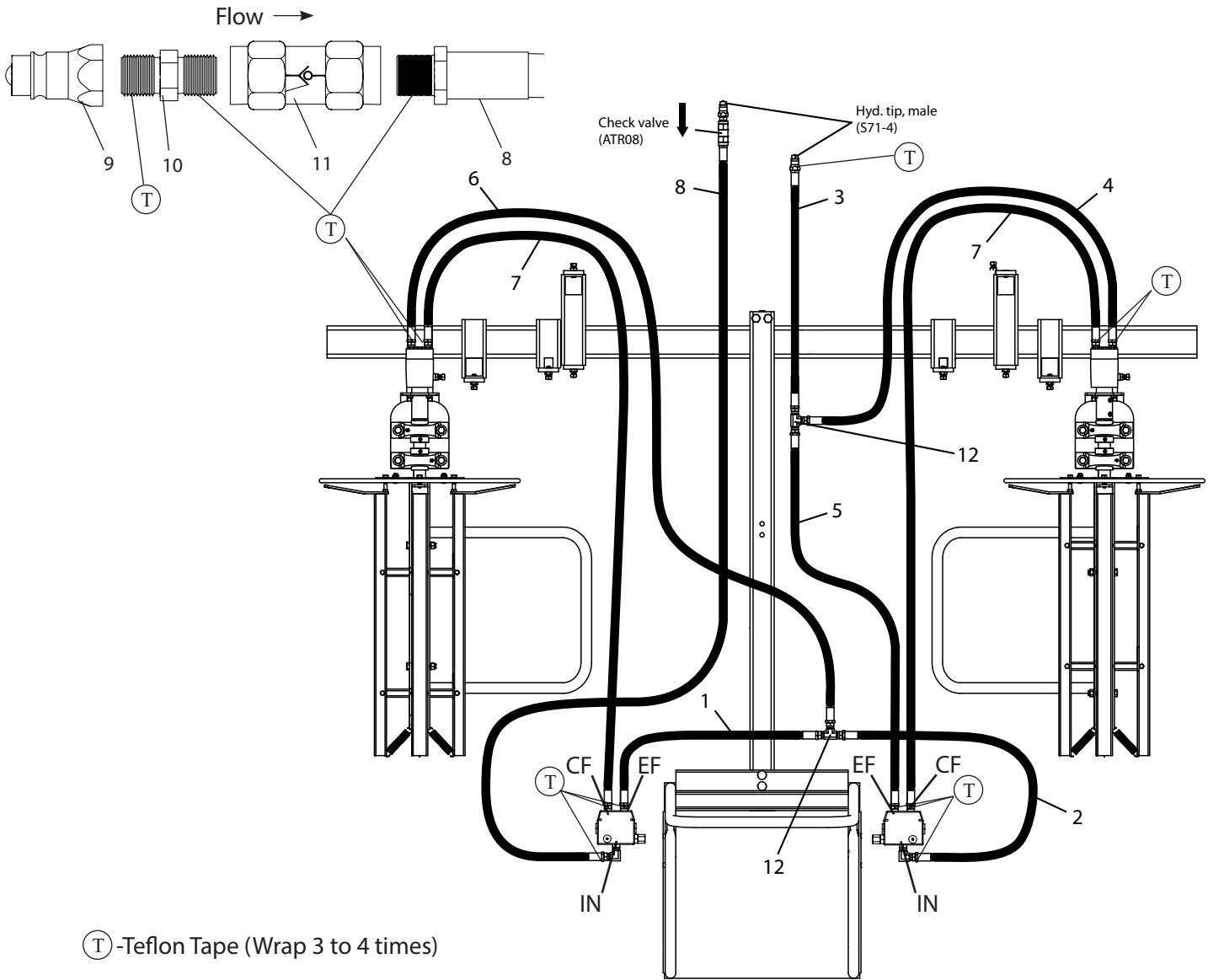
Assembly Step 3 (Reel assemblies)



Ref#	Qty.	Part #	Description
1	2	PR2500-3	Plastic Wrapper, Reel Assembly
2	2	PR2545	Plastic Wrapper, Reel post
3	2	PR2500-8	Plastic Wrapper, plastic guides, left and right
4	2	PR2546	Reel post clamp
5	4	H5C12*712	Bolt, Carriage 1/2-13 x 7 1/2" Gr 5
6	4	CB12*7G5	Bolt, Carriage 1/2-13 x 7" Gr 5
7	2	CB38*314G5	Bolt, Carriage 3/8-16 x 3-1/4" Gr 5
8	4	DE128	Decal, Moving Parts Stand Clear
9	2	FN38	Nut, Flange 3/8-16
10	24	FW12	Washer, Flat 1/2" USS
11	8	H5C12*2	Bolt, Hex 1/2-13 x 2" Gr 5
12	8	LW12	Washer, Lock 1/2"
13	8	NC12	Nut, Hex 1/2-13
14	8	NNC12	Nut, Lock Nylon 1/2-13

PR2500 Assembly Instructions

Assembly Step 6 (Hose Kit and Plumbing)



(T) -Teflon Tape (Wrap 3 to 4 times)

Ref #	Qty.	Part Number	Description
1	1	PR2523-01	28"L 1/2" Rubber hydraulic hose
2	1	PR2523-02	38"L 1/2" Rubber hydraulic hose
3	1	PR2523-03	44"L 1/2" Rubber hydraulic hose
4	1	PR2523-04	63"L 1/2" Rubber hydraulic hose
5	1	PR2523-05	79"L 1/2" Rubber hydraulic hose
6	1	PR2523-06	112"L 1/2" Rubber hydraulic hose
7	2	PR2523-07	130"L 1/2" Rubber hydraulic hose
8	1	PR2523-08	134"L 1/2" Rubber hydraulic hose
9	2	S71-4	Tip, Hyd Male 1/2" FPT fits S20-S40-S70
10	1	5404-08-08	Nipple, Hyd 1/2" MPT x 1/2" MPT
11	1	ATR08	Valve, Hyd Check 1/2" FPT 5 PSI
12	2	1603-08-08-08	Tee, Hyd 1/2" FPT Swivel (3)