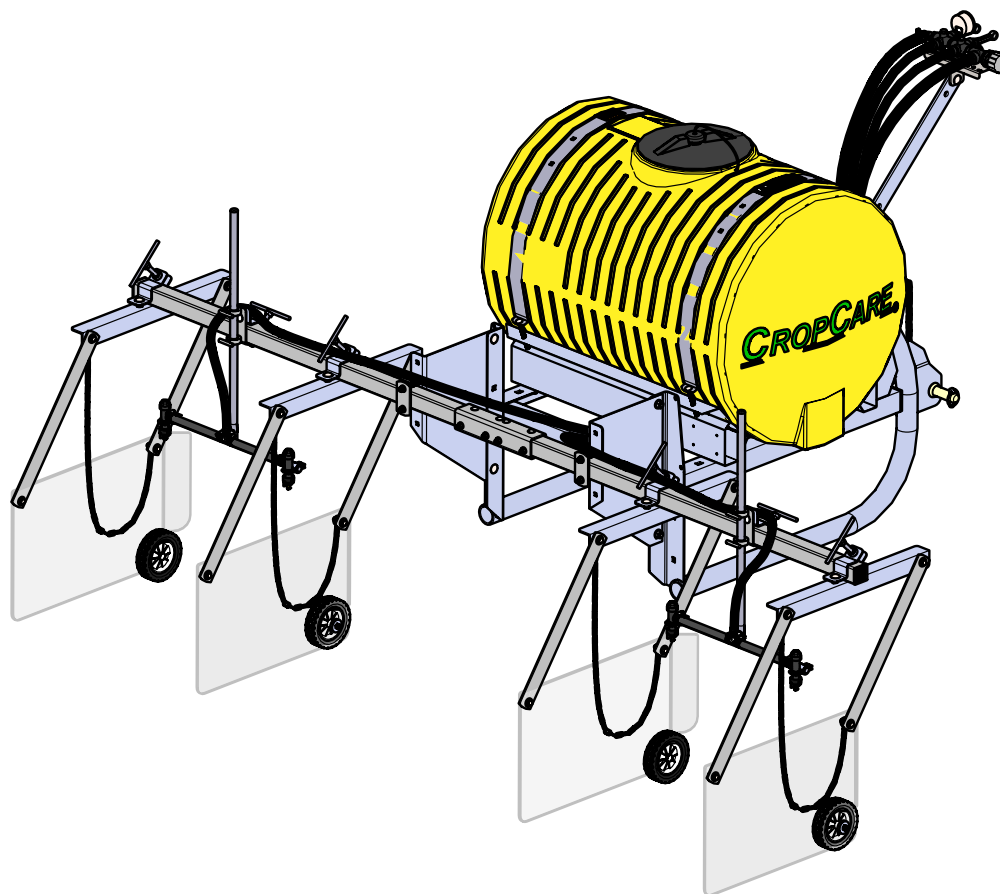




# Assembly Manual

3PT Sprayer, Shielded Sprayer Boom

Model: VGXSS-2



(717) 738-7365 | 295 Wood Corner Rd | Lititz PA 17543  
[www.CropCareEquipment.com](http://www.CropCareEquipment.com)  
A Paul B Zimmerman Inc. Company

**Form: VGXSS-2AM**  
Rev. A Date 06/19

# Assembly Instructions

## Subject

The purpose of this document is to show the procedure for assembling a shielded sprayer.

### Installation Time:

- Approximately 2 hours

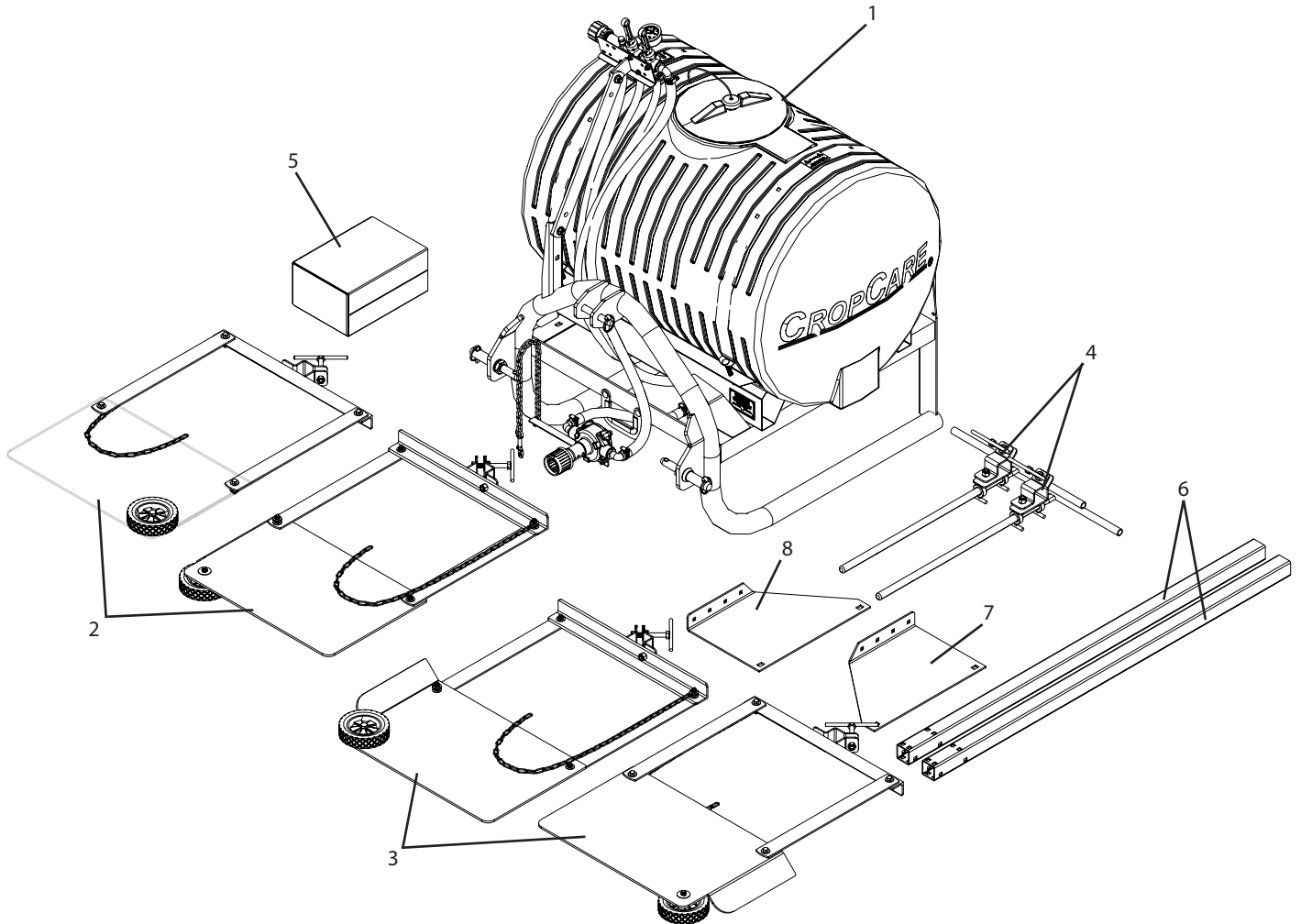
### Recommended Tools

- 9/16" socket or wrench
- 3/4" socket or wrench
- Hose cutter or knife to cut hoses to length

# Assembly Instructions

## Pallet Contents

The sprayer requires some assembly. Use the assembly instructions to ensure proper assembly. Before assembling, ensure that the boxes contain the necessary components and parts.

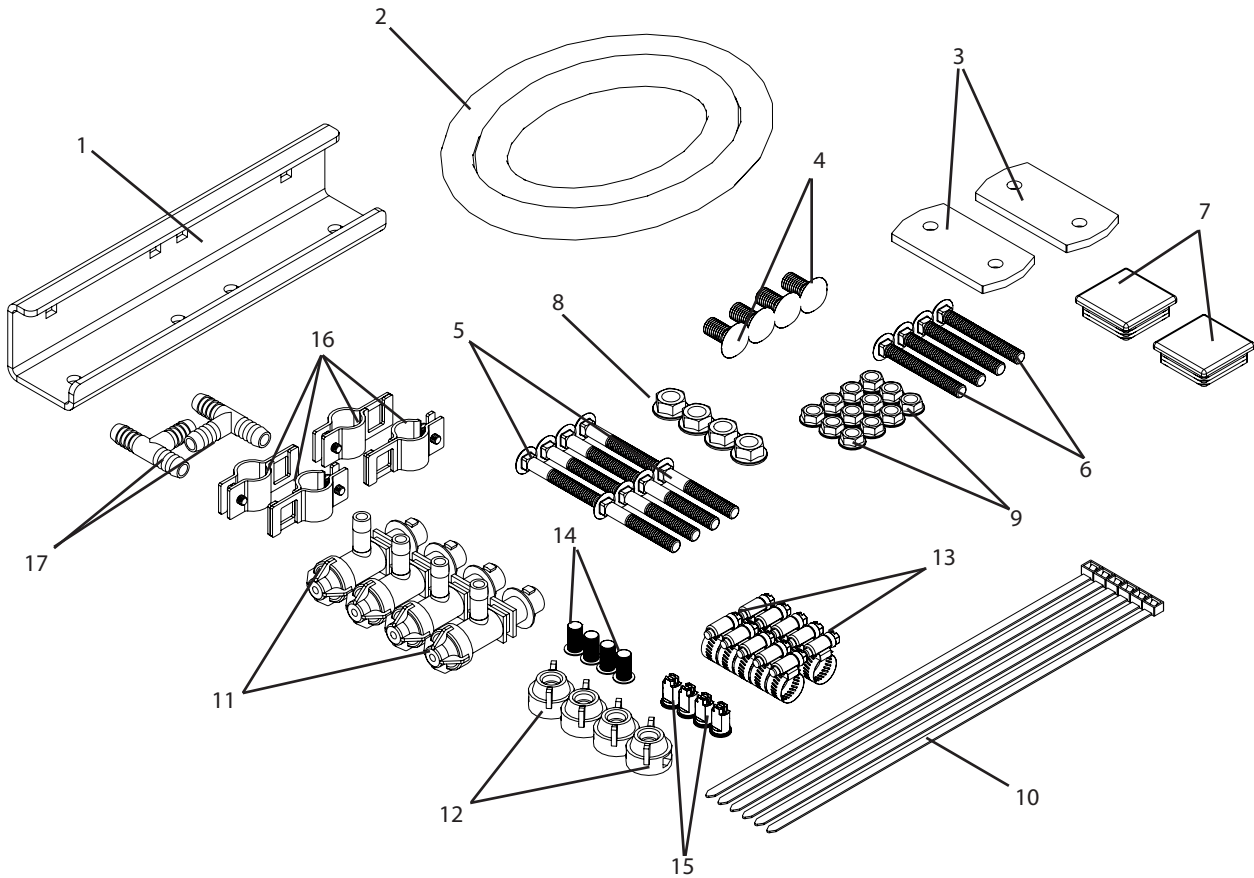


Ref#	Qty.	Part Number	Description
1	1		Pre-assembled Unit
2	2	VGXSS-2B	VGXSS-2, Shield Assembly, Side A
3	2	VGXSS-2C	VGXSS-2, Shield Assembly, Side B
4	2	VGXSS-2D	VGXSS-2, Nozzle Mount Assembly
5	1	VGXSS-2E	VGXSS-2, Boxed Items
6	2	BF10S26	Two Row Shielded Boom, Toolbar
7	1	BF10S15	Tool bar mount, left
8	1	BF10S14	Tool bar mount, right

# Assembly Instructions

## Boxed Contents

The sprayer requires some assembly. Use the assembly instructions to ensure proper assembly. Before assembling, ensure that the boxes contain the necessary components and parts.

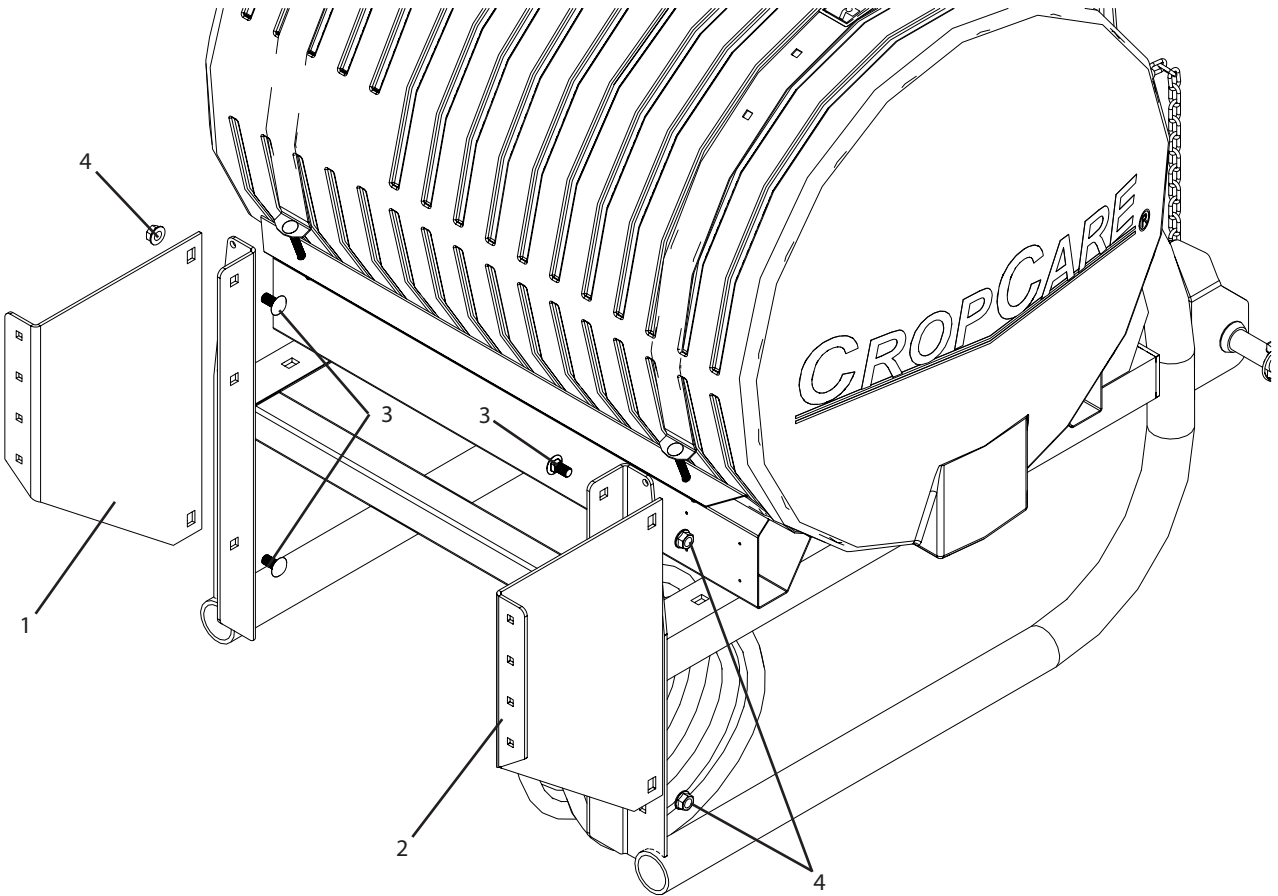


Ref#	Qty.	Part Number	Description
1	1	BF10S27	Two Row Shielded Boom, Toolbar Clamp
2	3 FT	1008	Hose, EPDM Rubber 1/2" 300 PSI
3	2	BF10S16	Tool bar mounting clip
4	4	CB12*1G5	Bolt, Carriage 1/2-13 x 1" Gr 5
5	8	CB38*234G5	Bolt, Carriage 3/8-16 x 2-3/4" Gr 5
6	4	CB38*3G5	Bolt, Carriage 3/8-16 x 3" Gr 5
7	2	CC5515	Plug, Poly Square 2" x 10-14 Ga Black
8	4	FN12	Nut, Flange 1/2-13
9	12	FN38	Nut, Flange 3/8-16
10	6	1475UV	Cable Tie, 14" 75 Lb UV Black
11	4	22251311500NYB	Body, Nozzle Elbow 1/2" QJ300
12	4	256081NYR	Kit, Cap & Gasket Quick TeeJet Round Black
13	10	6806052	Hose Clamp, 1/2" - 29/32" SS
14	4	8079PP50	Strainer, Tip 50 Mesh Blue Poly Body SS Screen
15	4	AIXR11002VP	Tip, AIXR TeeJet Polymer Yellow
16	4	QJ11112	Clamp, Nozzle Body 1/2" Pipe
17	2	T12	Tee, 1/2" Hose Barbs Nylon

# Assembly Instructions

## Step 1

- Install the boom mounting brackets onto the frame as shown.

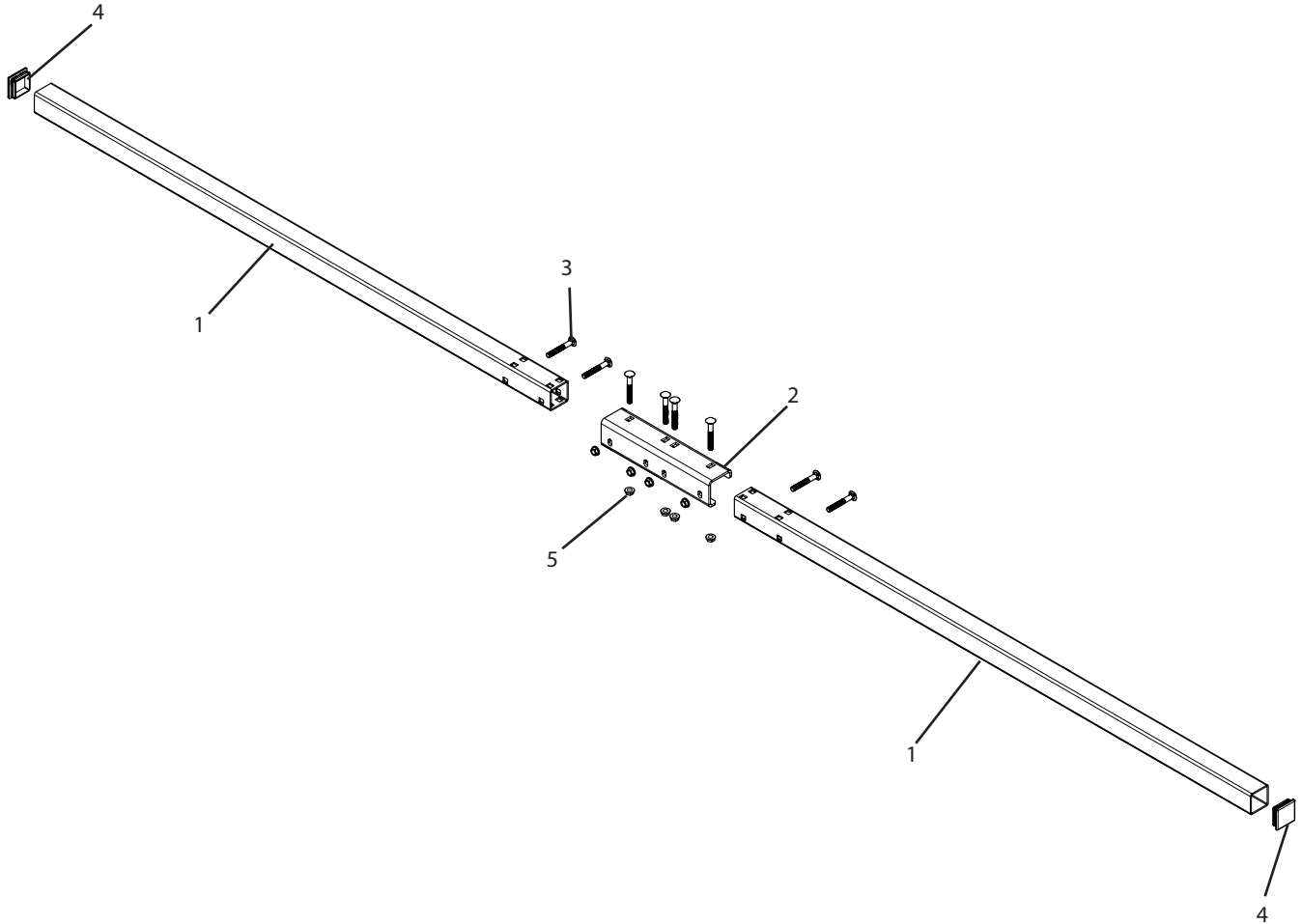


Ref#	Qty.	Part Number	Description
1	1	BF10S14	Tool bar mount, right
2	1	BF10S15	Tool bar mount, left
3	4	CB12*1G5	Bolt, Carriage 1/2-13 x 1" Gr 5
4	4	FN12	Nut, Flange 1/2-13

# Assembly Instructions

## Step 2

- Assemble the tool bar components.

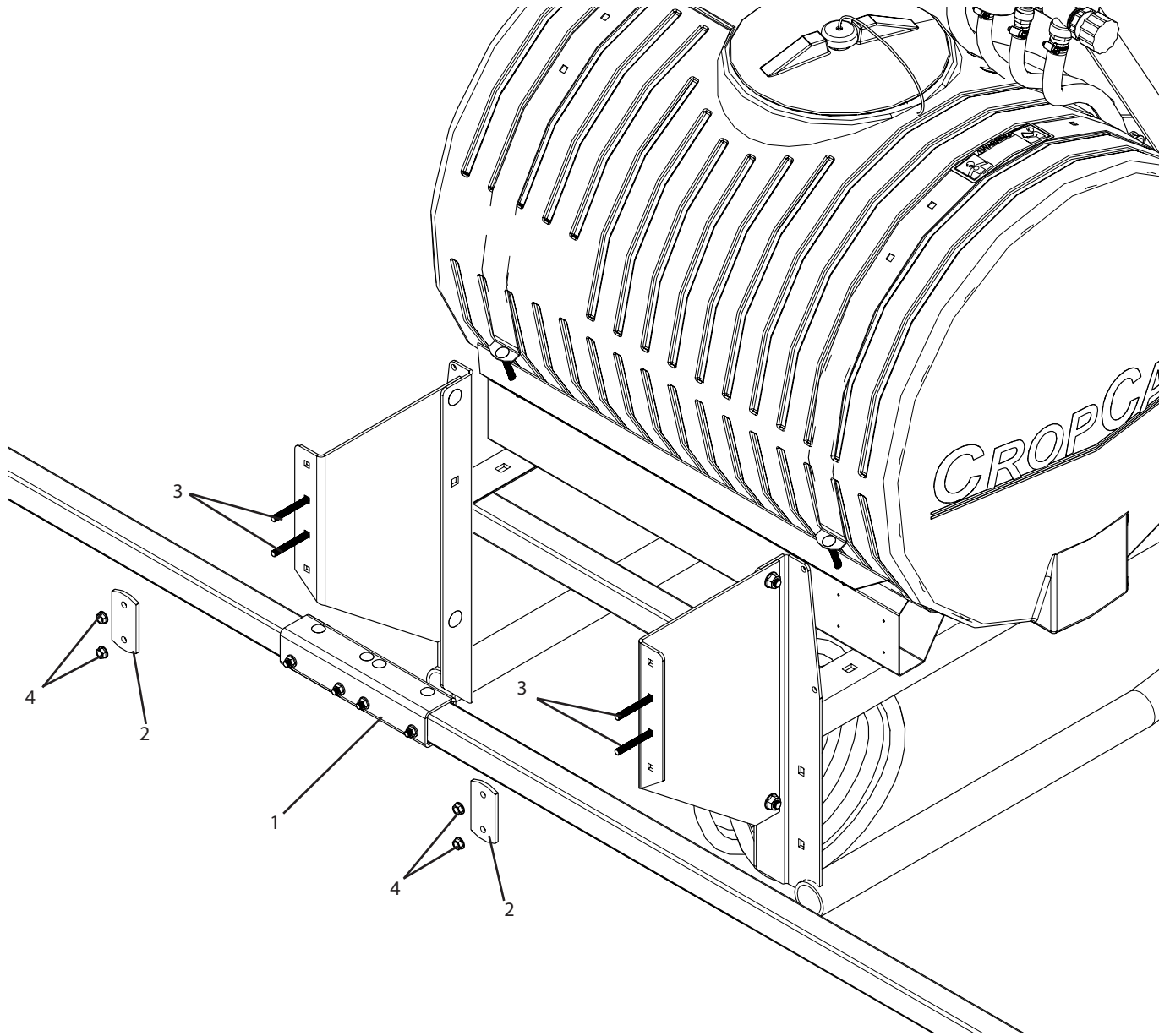


Ref#	Qty.	Part Number	Description
1	2	BF10S26	Two Row Shielded Boom, Toolbar
2	1	BF10S27	Two Row Shielded Boom, Toolbar Clamp
3	8	CB38*234G5	Bolt, Carriage 3/8-16 x 2-3/4" Gr 5
4	2	CC5515	Plug, Poly Square 2" x 10-14 Ga Black
5	8	FN38	Nut, Flange 3/8-16

# Assembly Instructions

## Step 3

- Install the assembled tool bar from the previous step onto the frame.

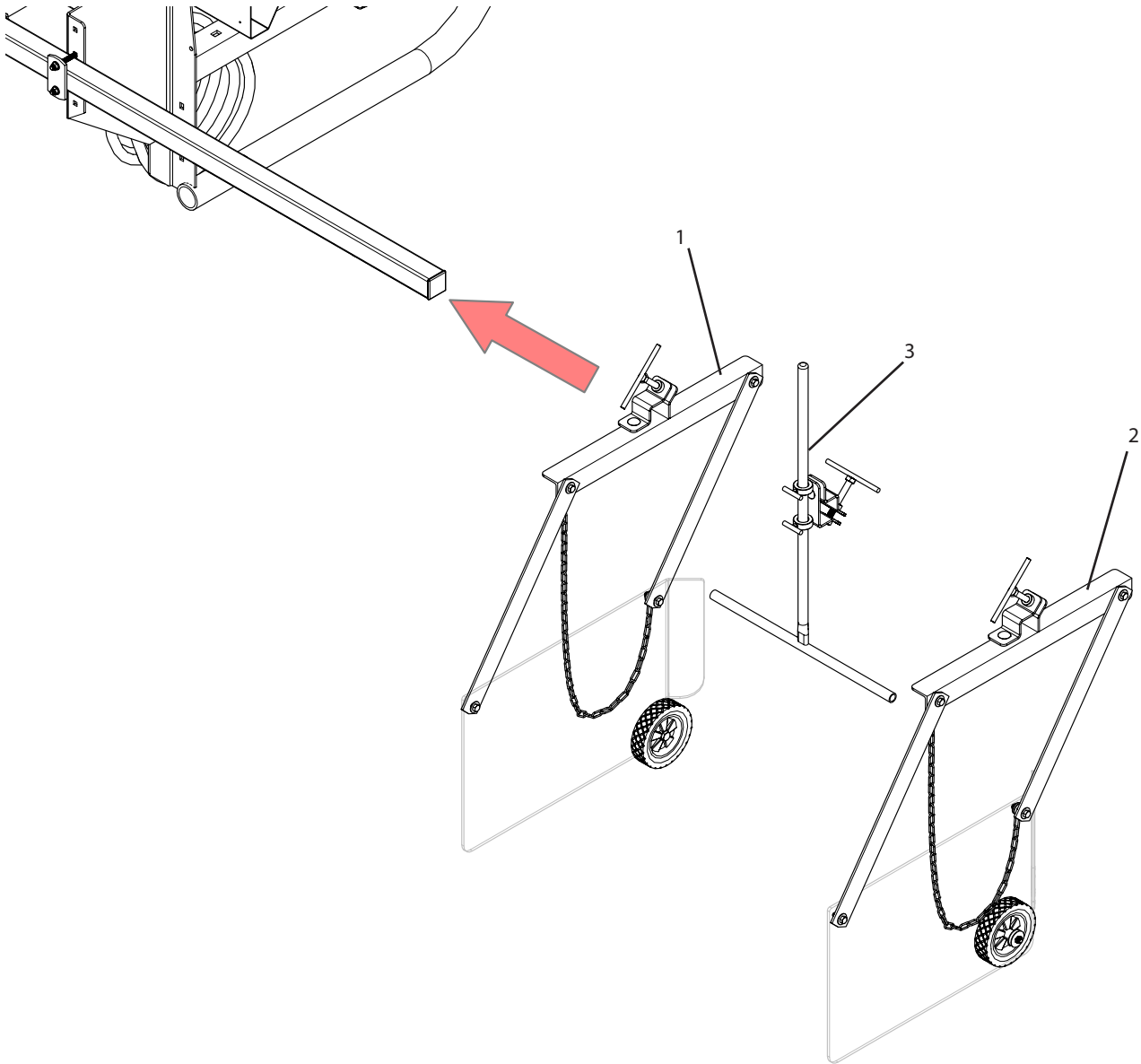


Ref#	Qty.	Part Number	Description
1	1		Assembled Toolbar
2	2	BF10S16	Tool bar mounting clip
3	4	CB38*3G5	Bolt, Carriage 3/8-16 x 3" Gr 5
4	4	FN38	Nut, Flange 3/8-16

# Assembly Instructions

## Step 4

- Install the shield and nozzle mount assemblies onto the assembled unit (typical both sides).
- NOTE: See Owner's manual for details on adjustment and spacing of these items.



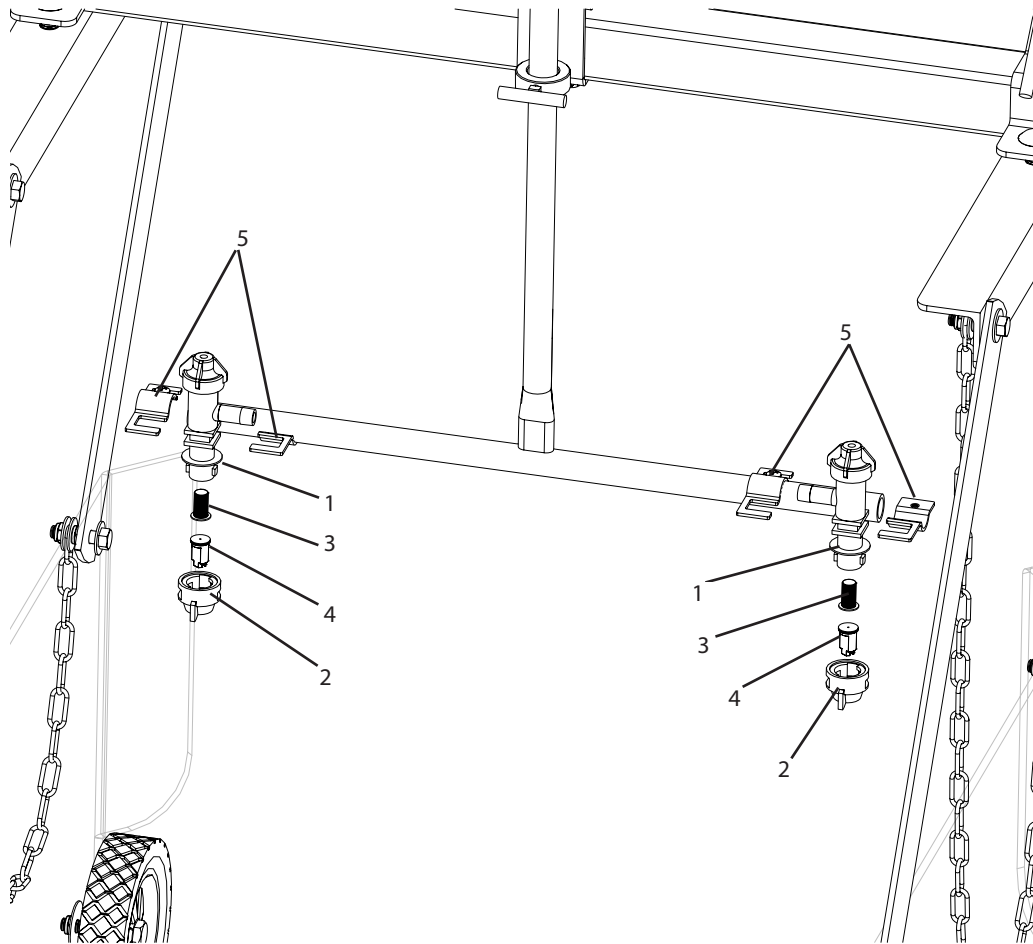
Ref#	Qty.	Part Number	Description
1	2	VGXSS-2B	VGXSS-2, Shield Assembly, Side A
2	2	VGXSS-2C	VGXSS-2, Shield Assembly, Side B
3	2	VGXSS-2D	VGXSS-2, Nozzle Mount Assembly



# Assembly Instructions

## Step 5

- Install the nozzle bodies and clamps onto the nozzle mount assembly.
- NOTE: The clamps should be up against the ends of the nozzle mount.

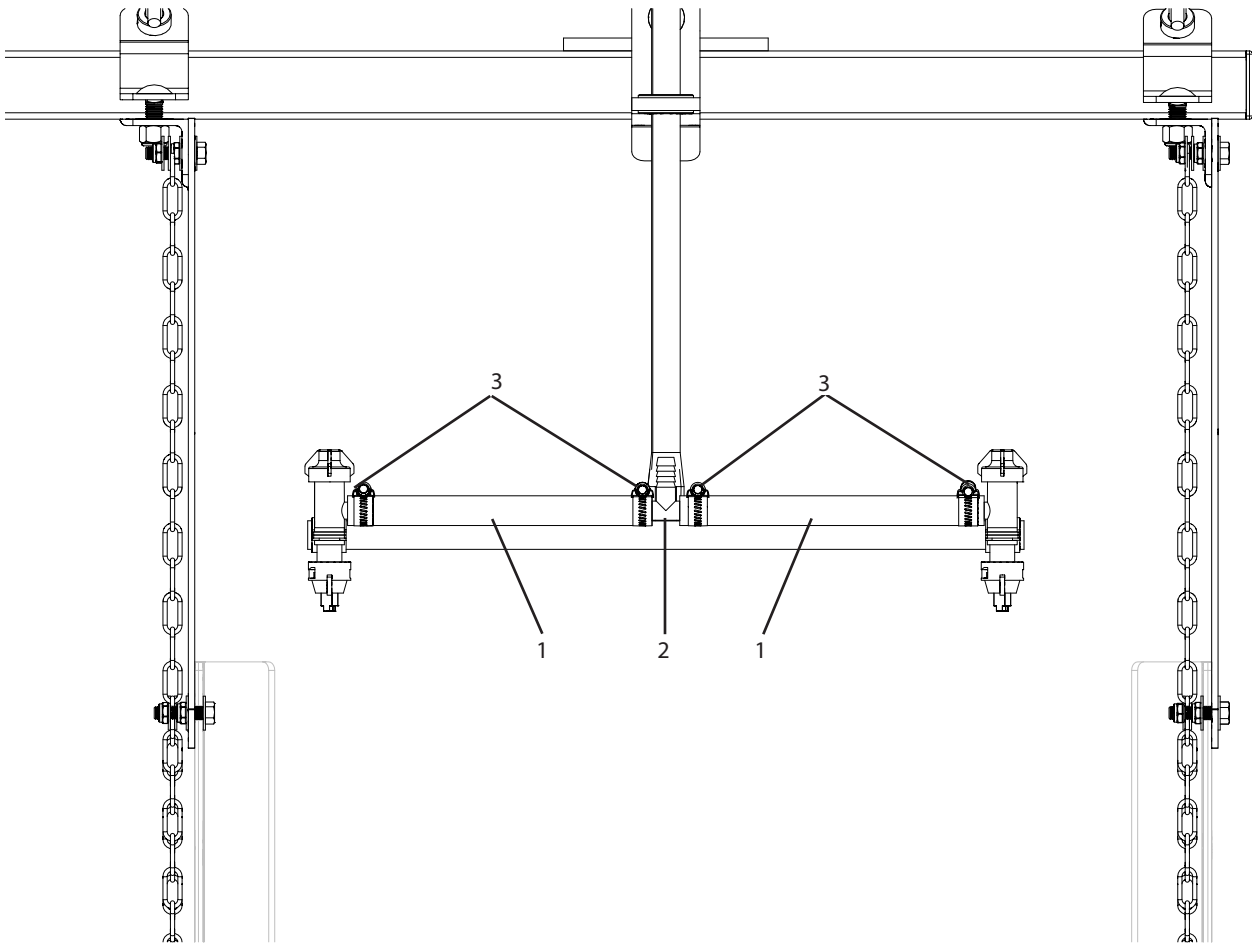


Ref#	Qty.	Part Number	Description
1	4	22251311500NYB	Body, Nozzle Elbow 1/2" QJ300
2	4	256081NYR	Kit, Cap & Gasket Quick TeeJet Round Black
3	4	8079PP50	Strainer, Tip 50 Mesh Blue Poly Body SS Screen
4	4	AIXR11002VP	Tip, AIXR TeeJet Polymer Yellow
5	2	QJ11112	Clamp, Nozzle Body 1/2" Pipe

# Assembly Instructions

## Step 6

- Install the hose and tee fittings onto the nozzle bodies.

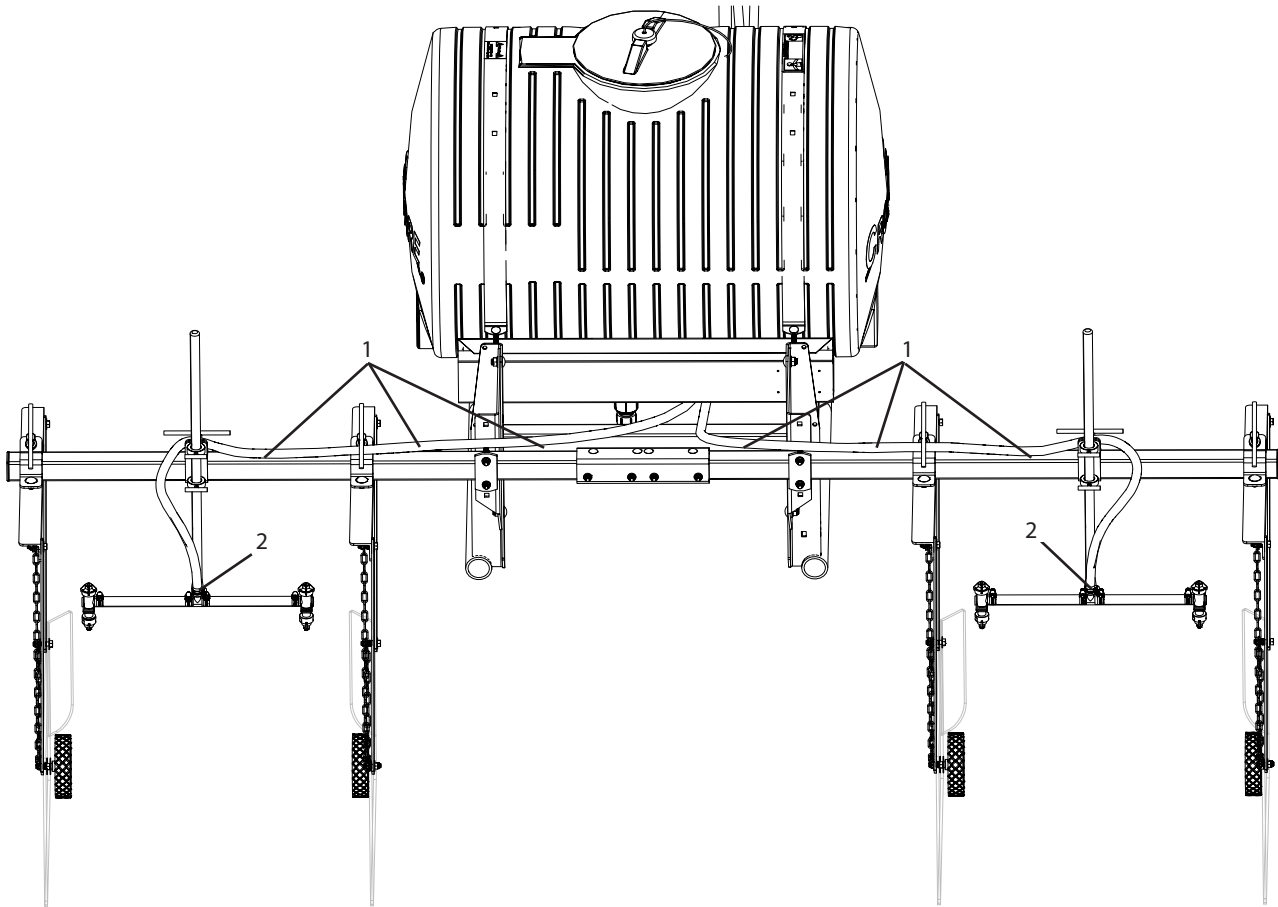


Ref#	Qty.	Part Number	Description
1	3 FT	1008	Hose, EPDM Rubber 1/2" 300 PSI
2	2	T12	Tee, 1/2" Hose Barbs Nylon
3	8	6806052	Hose Clamp, 1/2" - 29/32" SS

# Assembly Instructions

## Step 7

- Rout the hoses from the controls to the tees installed in the previous step.
- Zip Tie hoses where noted.



Ref#	Qty.	Part Number	Description
1	6	1475UV	Cable Tie, 14" 75 Lb UV Black
2	2	6806052	Hose Clamp, 1/2" - 29/32" SS

# Assembly Instructions

