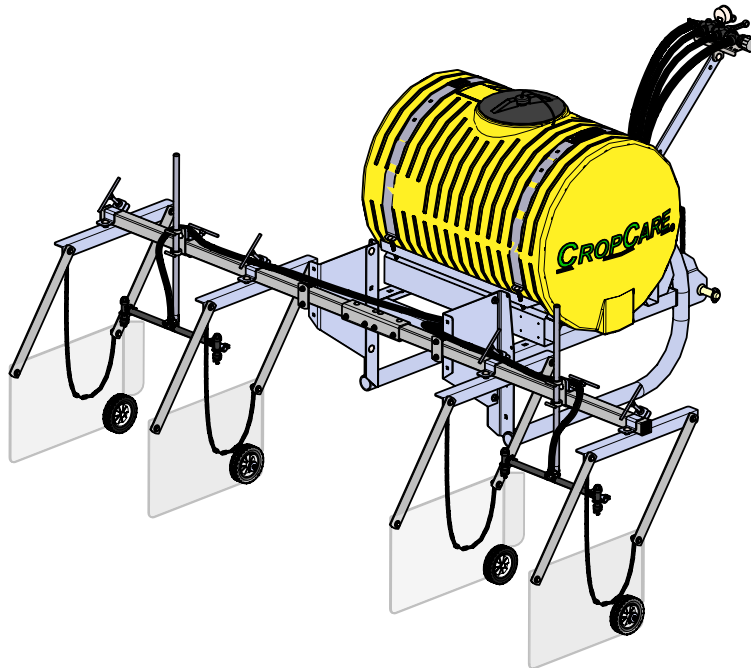


VGXSS

VGXSS-2 Standard Model

*110 Gallon 3PT Sprayer
with Shielded Boom*



Manufactured by PBZ LLC
A Paul B Zimmerman Inc. Company
www.CropCareEquipment.com

Table Of Contents

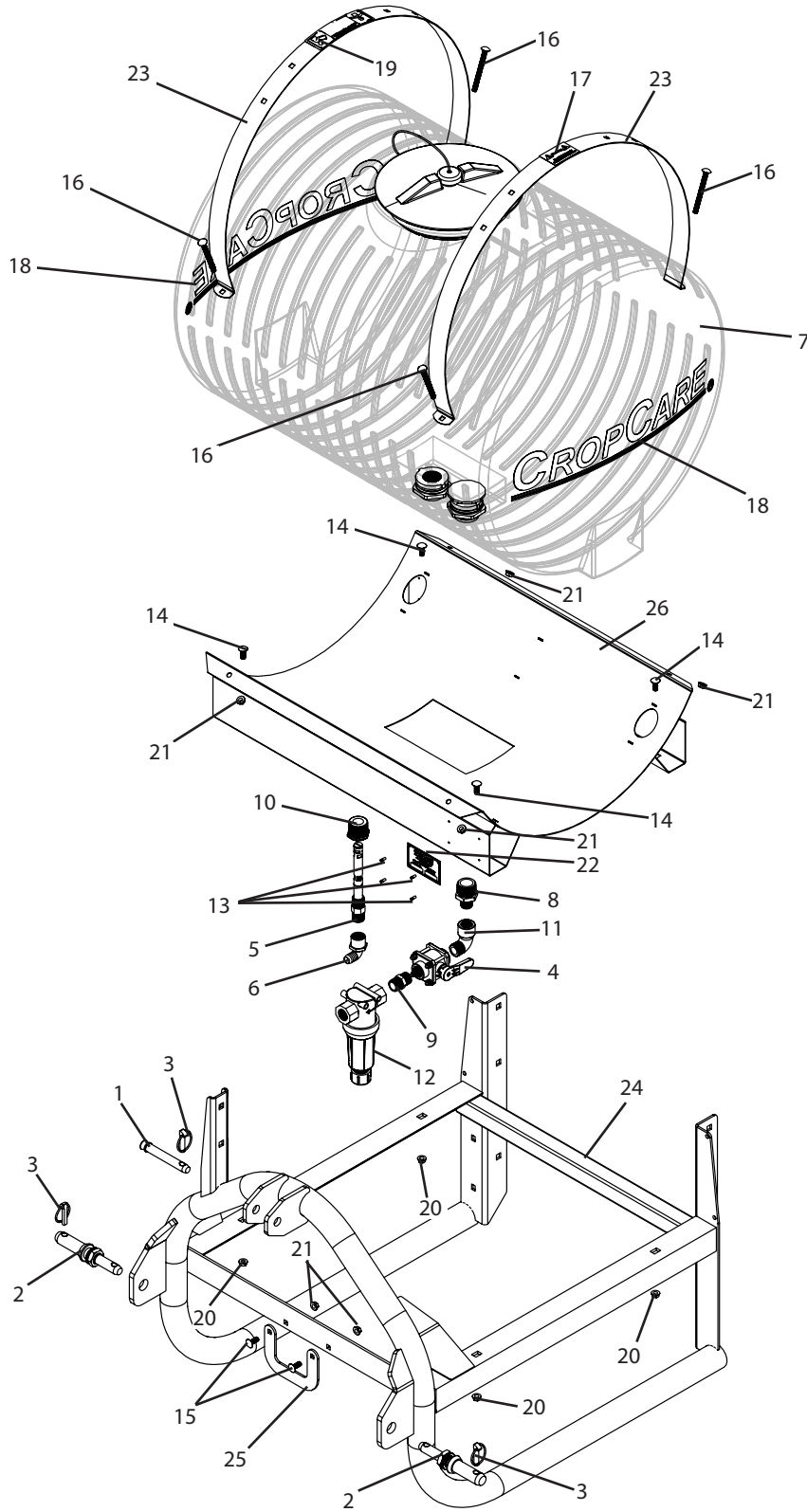
Standard Features

Base Unit Subassembly (3PT110S)	4-5
47194 / Tank	6
AA126ML-3-50 / Line Strainer	7
Boom Subassembly (BF10S-N)	8-9
Boom Plumbing Subassembly (BP10S)	11
22251311500NYB / Nozzle Body, Elbow	12
Control Subassembly (C3PT-A6B-2)	14-15
AA6B / Manual Control Valve.....	16
Pump Subassembly (P3PT-6500XL)	18
6500XL / Pump.....	19
PTA / Torque Arm	20

Optional Features

Fresh water Safety Tank Accessory (A116K)	22
Quick Fill Accessory (A125K)	24

3PT110S Base Unit Subassembly

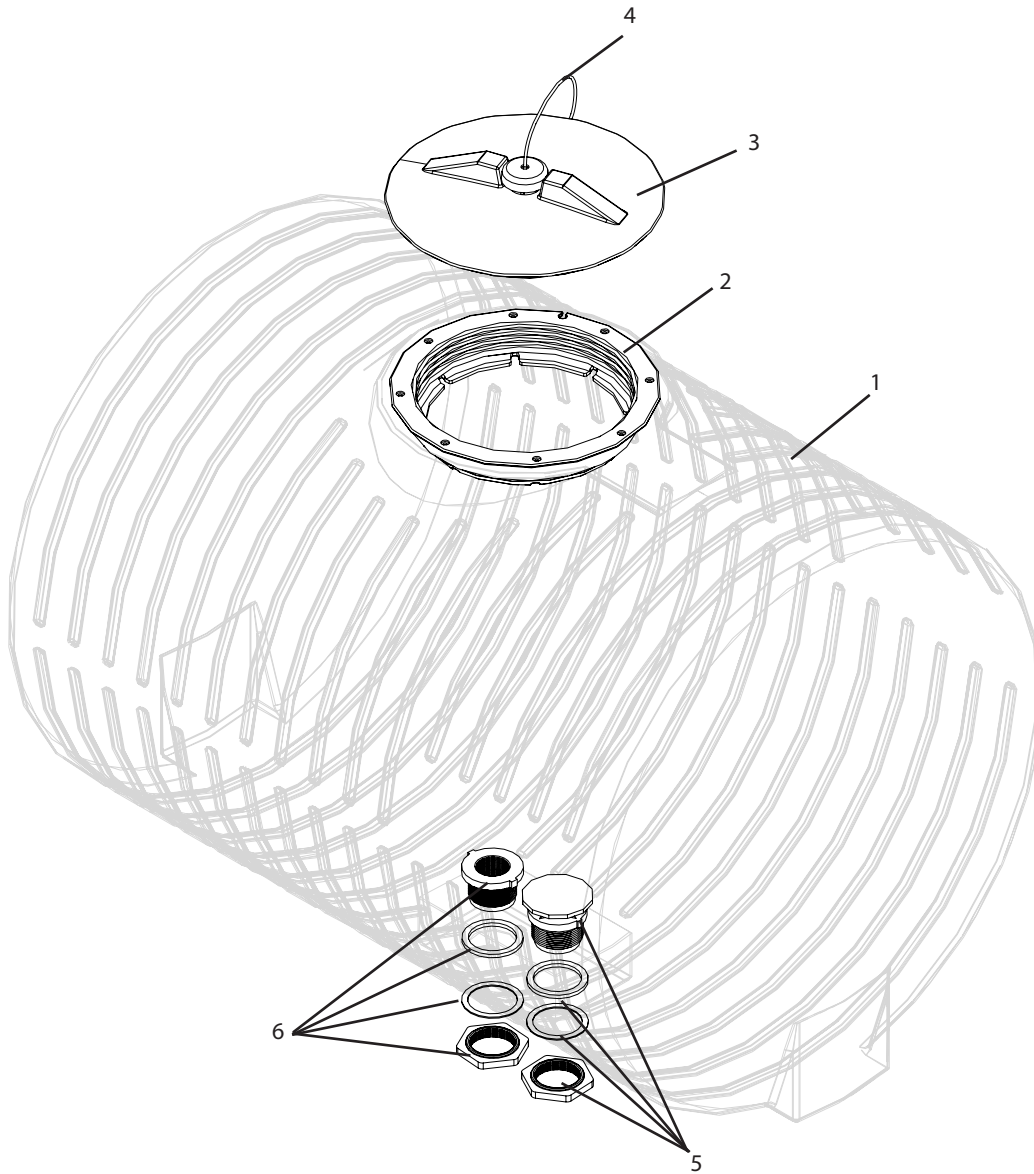


3PT110S Base Unit Subassembly

Ref#	Qty.	Part Number	Description
1	1	00074	Pin, Top Link Cat 1 (3-7/8" Usable)
2	2	00213	Pin, Lift Arm Cat 1 & 2 Forged
3	3	02703	Pin, Linch 7/16" Cat 1 & 2
4	1	075FP	Valve, Ball Bolted 3/4" Full Port
5	1	33710019	Agitator, Jet
6	1	3EL34F	Adapter, Hose 90° 3/4" FPT x 3/4" HB
7	1	47194 *	Tank, 110 Gallon w/ 2" Sump Yellow
8	1	8M11434	Nipple, Reducer 1-1/4" MPT x 3/4" MPT Sch 80 Poly
9	1	8M34	Nipple, 3/4" MPT x Close Sch 80 Poly
10	1	8RB11434	Bushing, Reducer 1-1/4" MPT x 3/4" FPT Sch 80 Poly
11	1	8SE34	Elbow, Street 90° 3/4" NPT Sch 80 Poly
12	1	AA126ML-3-50 *	Strainer, Line 3/4" FPT 50 Mesh Screen Flush out
13	4	BTT44	Rivet, Pop 1/8" Dia. x .188" x .250" Grip SS
14	4	CB12*1G5	Bolt, Carriage 1/2-13 x 1" Gr 5
15	2	CB38*1G5	Bolt, Carriage 3/8-16 x 1" Gr 5
16	4	CB38*4G5	Bolt, Carriage 3/8-16 x 4" Gr 5
17	1	DE39	Decal, "Warning Read Owner's Manual
18	2	DE57	Decal, CropCare Logo 4 7/8" x 24"
19	1	DEMT3980	Decal, "Warning Avoid Injury Follow Labels"
20	4	FN12	Nut, Flange 1/2-13
21	6	FN38	Nut, Flange 3/8-16
22	1	SP500	Plate, Serial Number
23	2	SS30	Tank strap, 110 & 150 gallon, gray
24	1	T150	Frame, 3PT, 110 & 150 gallon, gray
25	1	T411	Hose guide plate
26	1	TS3034P	Tank saddle, 110 gallon, gray

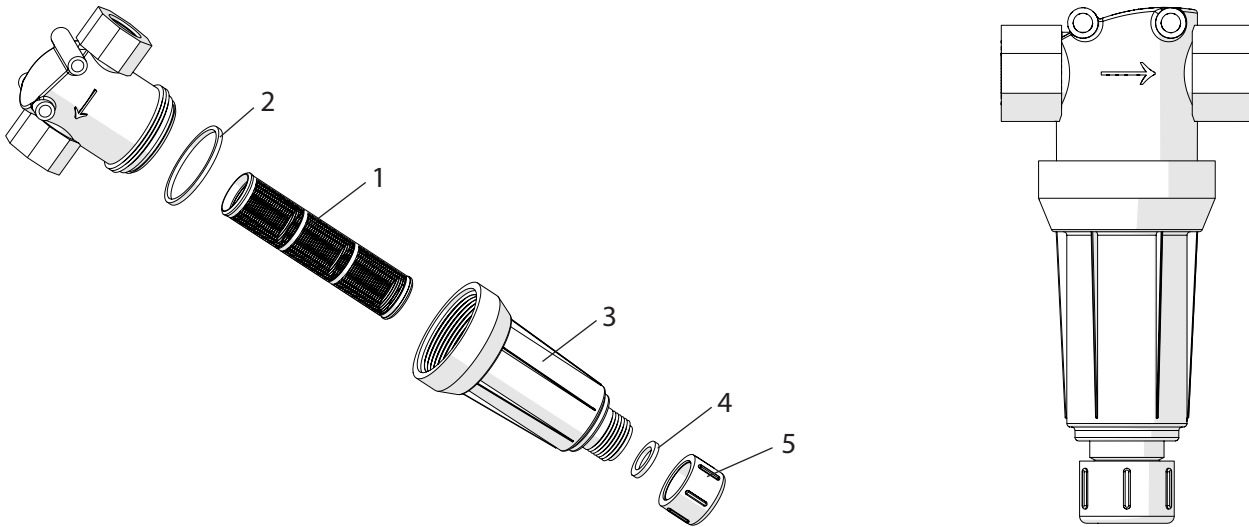
* See support page for component breakdown.

47194 Tank



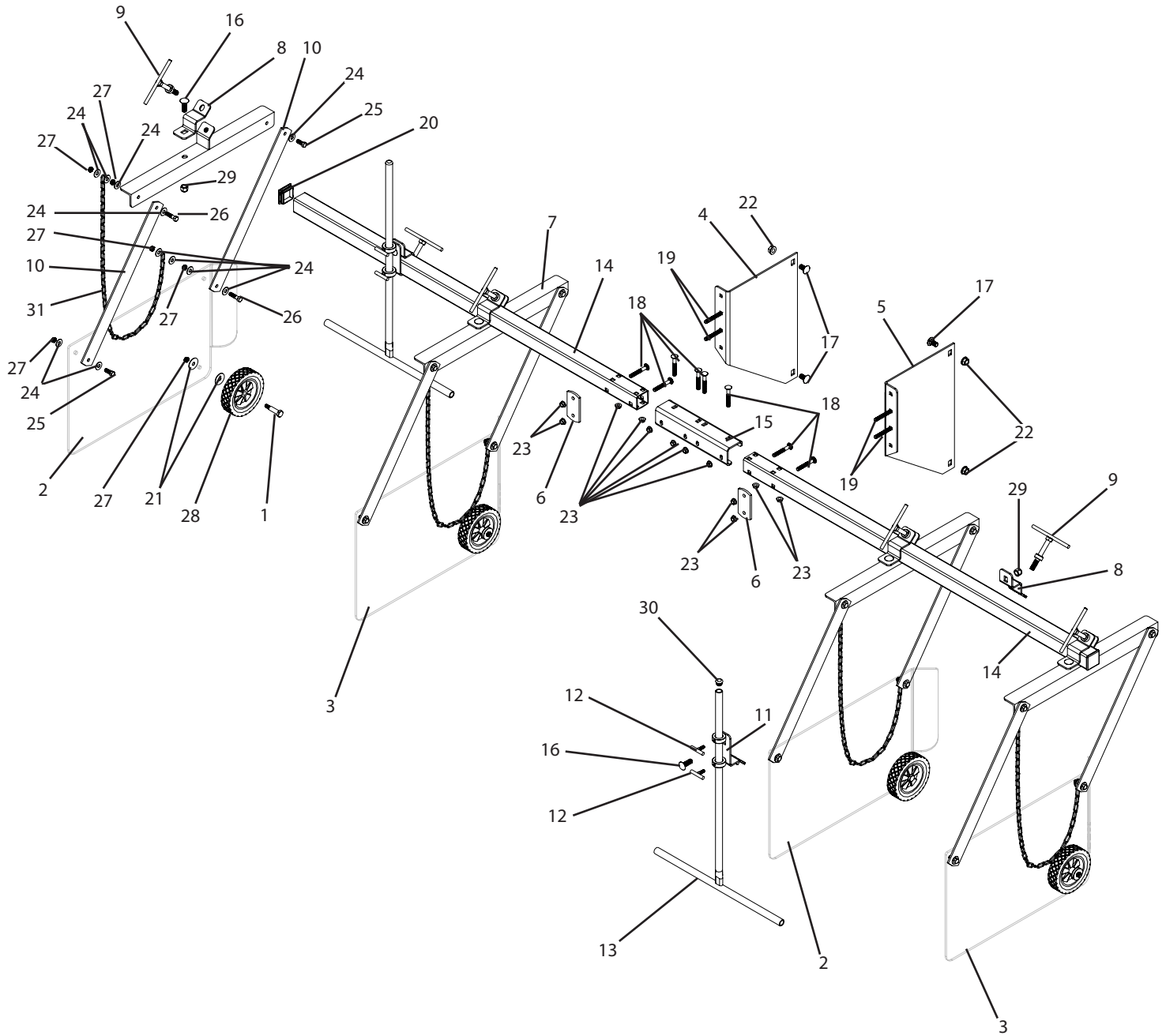
Ref#	Qty.	Part Number	Description
1	1	47194	Tank, 110 Gallon Yellow
2	1	67400	Well, 10" Threaded
3	1	67399	Lid, Tank 10"
4	1	67076	Tie down strap for tank lid
5	1	63065	Fitting, Bulkhead Anti-Vortex 1-1/4" FPT (Requires 2-1/4" Hole)
6	1	60403	Fitting, Bulkhead 1-1/4" FPT Dbl Tap (Requires 2-1/4" Hole)

AA126ML-3-50 Line Strainer



Ref #	Qty.	Part Number	Description
1	1	CP169034SSPP	Screen, 3/4" & 1" 124/6 Filter 50M
2	1	CP50494EPR	Strainer gasket, AA126, 3/4" & 1"
3	1	CP50493PP	Strainer Bowl, AA126ML-3 or 4
4	1	CP63150EPR	Gasket, EPDM Rubber
5	1	CP48655PP	Cap, Polypropylene (Gray)

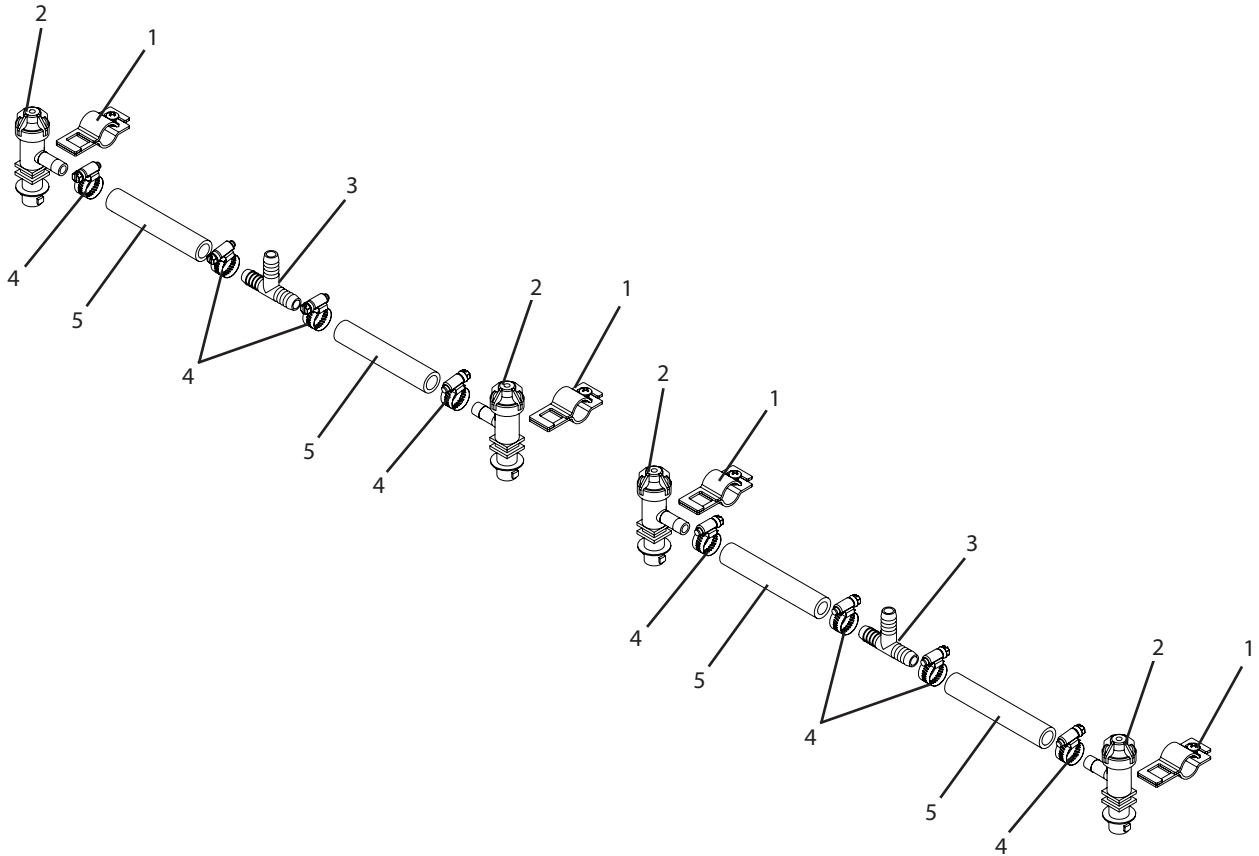
BF10S-N Boom Subassembly



BF10S-N Boom Subassembly

Ref#	Qty.	Part Number	Description
1	4	AB112	axle bolt 1/2" x 1 1/2" shoulder
2	2	BF10S11	Polycarbonate shield, left
3	2	BF10S12	Polycarbonate shield, right
4	1	BF10S14	tool bar mount, right
5	1	BF10S15	tool bar mount, left
6	2	BF10S16	tool bar mounting clip
7	4	BF10S18	shield frame
8	6	BF10S19	spray bar clip
9	6	BF10S20	T-bolt 1/2"
10	8	BF10S21	Link plate
11	2	BF10S22	Spray bar clamp
12	4	BF10S23	T-bolt 5/16"
13	2	BF10S24	spray bar
14	2	BF10S26	Two Row Shielded Boom, Toolbar
15	1	BF10S27	Two Row Shielded Boom, Toolbar Clamp
16	6	CB12*112G5	carriage bolt, 1/2-13 x 1 1/2" grade 5
17	4	CB12*1G5	carriage bolt, 1/2-13 x 1" grade 5
18	8	CB38*234G5	Bolt, Carriage 3/8-16 x 2 3/4" Gr 5
19	4	CB38*3G5	carriage bolt, 3/8-16 x 3" grade 5
20	2	CC5515	poly cap, 2" square
21	8	FDW38*112	Fender washer, 3/8" x 1 1/2"
22	4	FN12	flange nut, 1/2-13
23	12	FN38	flange nut, 3/8-16
24	48	FW38	flat washer, 3/8"
25	8	H5C38*1	hex head bolt, 3/8-16 x 1" grade 5
26	8	H5C38*112	hex head bolt, 3/8-16 x 1 1/2" grade 5
27	28	JNNC38	Nylon lock jam nut, 3/8-16" coarse
28	4	MW61515	Plastic wheel, 6" x 1 1/2" x 1/2"
29	6	NNC12	nylon lock nut, 1/2-13
30	2	PPR7/8*10-14	poly plug, round, 7/8" OD x 10-14ga
31	4	BF10S25	Shielded sprayer boom, chain

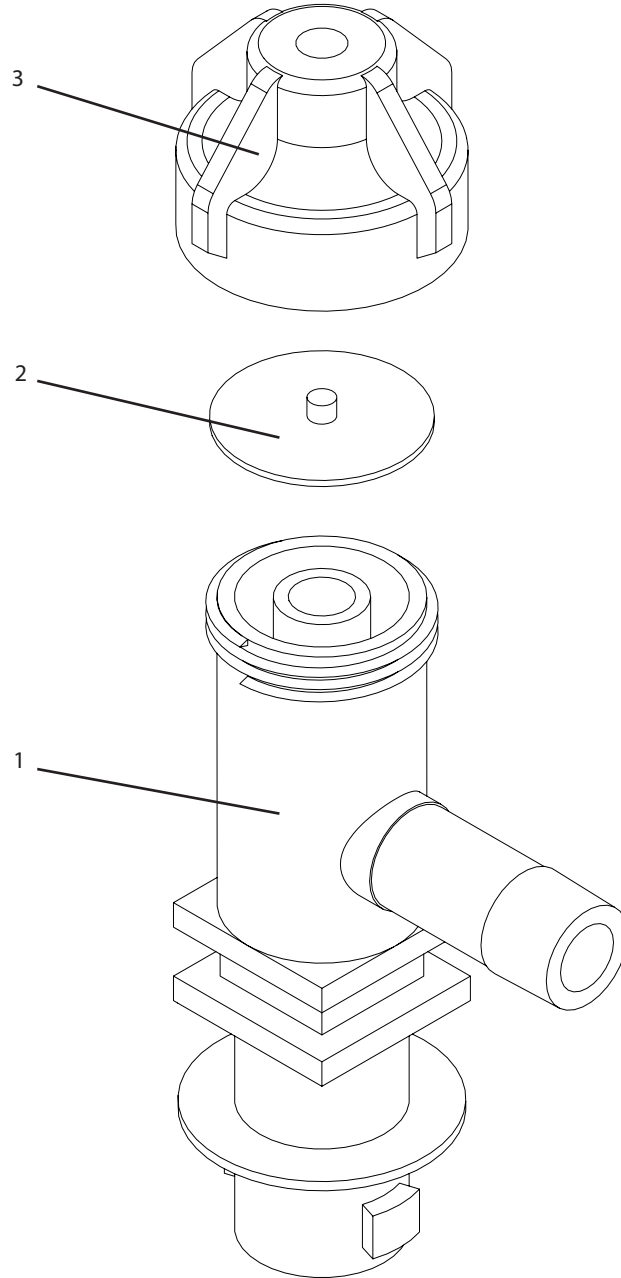
BP10S Boom Plumbing Subassembly



Ref#	Qty.	Part Number	Description
1	4	QJ11112	Clamp, Nozzle Body 1/2" Pipe
2	5	22251311500NYB *	Body, Nozzle Elbow 1/2" QJ300
3	2	T12	Tee, 1/2" Hose Barbs Nylon
4	10	6806052	Hose Clamp, 1/2" - 29/32" SS
5	3 FT	1008	Hose, EPDM Rubber 1/2" 300 PSI

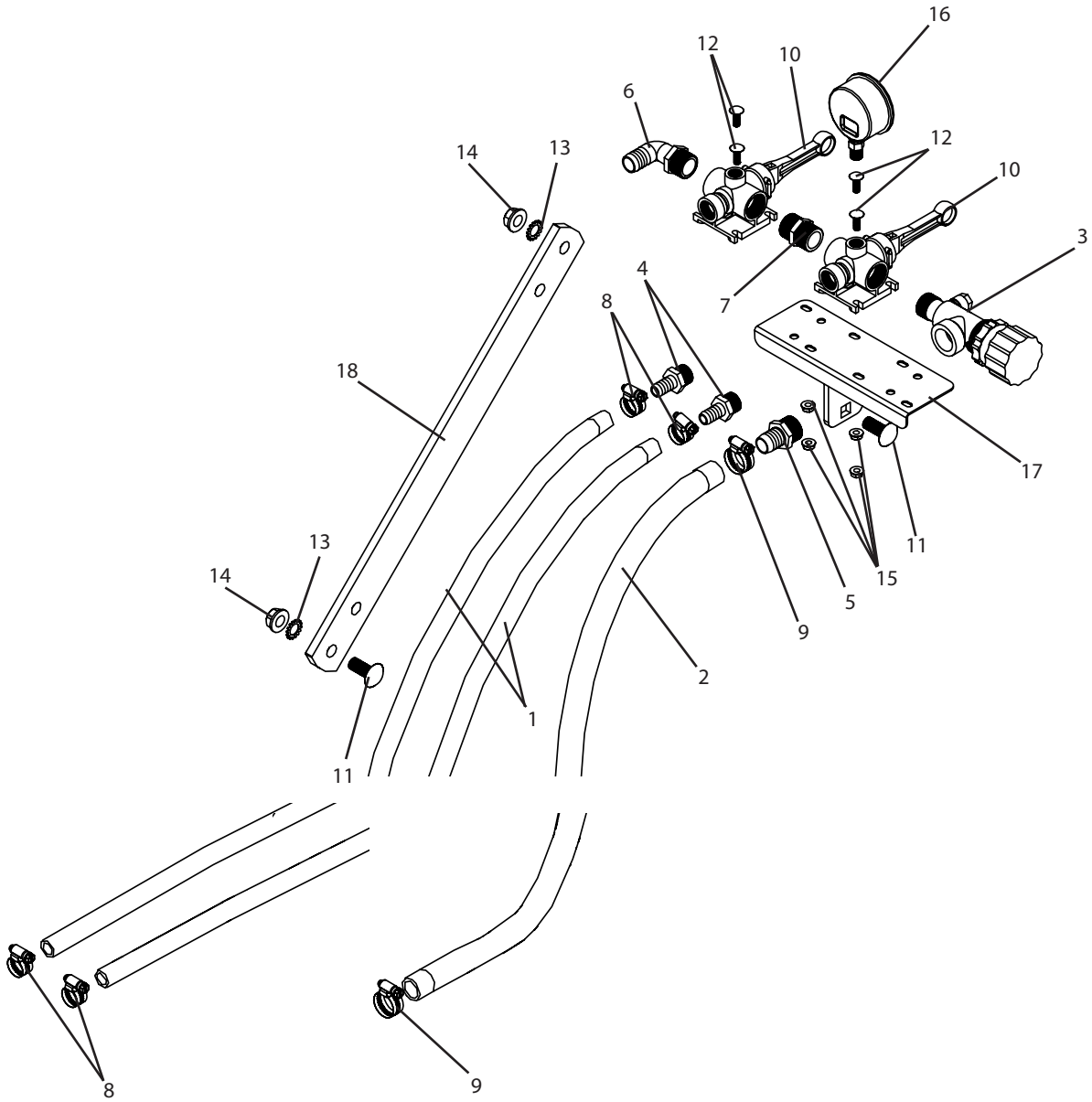
* See support page for component breakdown.

22251311500NYB Nozzle Body, Elbow



Ref#	Qty.	Part Number	Description
1	1	CP22237NYB	Single hose shank body, 1/2"
2	1	CP21953EPR	Rubber diaphragm
3	1	2195010NYB	Diaphragm cap, 10 psi

C3PT-A6B-2 Control Subassembly

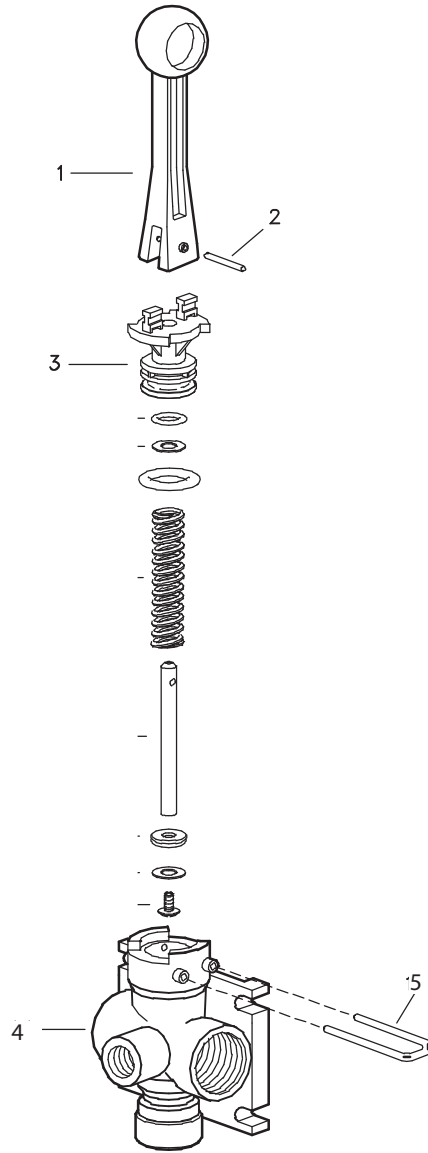


C3PT-A6B-2 Control Subassembly

Ref#	Qty.	Part Number	Description
1	26.5 FT	1008	Hose, EPDM Rubber 1/2" 300 PSI
2	5 FT	1012	Hose, EPDM Rubber 3/4" 300 PSI
3	1	2312034PP	Valve, Relief 3/4" NPT Poly 150 PSI Piston-Type
4	2	3A1212	Adapter, Hose 1/2" MPT x 1/2" HB
5	1	3A3434	Fitting, Hose 3/4" MPT x 3/4" HB
6	1	3EL3434	Adapter, Hose 90° 3/4" MPT x 3/4" HB
7	1	3M34	Nipple, Pipe 3/4" MPT Poly
8	2	6806052	Hose Clamp, 1/2" - 29/32" SS
9	2	6812052	Hose Clamp, 1/2" - 1-1/4" SS
10	2	AA6B *	Valve, Manual Control 3/4" FPT x 1/2" FPT Boom Connection
11	2	CB12*114G5	Bolt, Carriage 1/2-13 x 1-1/4" Gr 5
12	4	CB14*34	Bolt, Carriage 1/4-20 x 3/4" Gr 2
13	2	EW58	Washer, Lock External-Tooth 5/8"
14	2	FN12	Nut, Flange 1/2-13
15	4	FN14	Nut, Flange 1/4-20
16	1	GG100	Gauge, 2-1/2" Liquid Filled 100psi
17	1	T552	6B mounting plate, triple
18	1	T553	Mounting post, gray

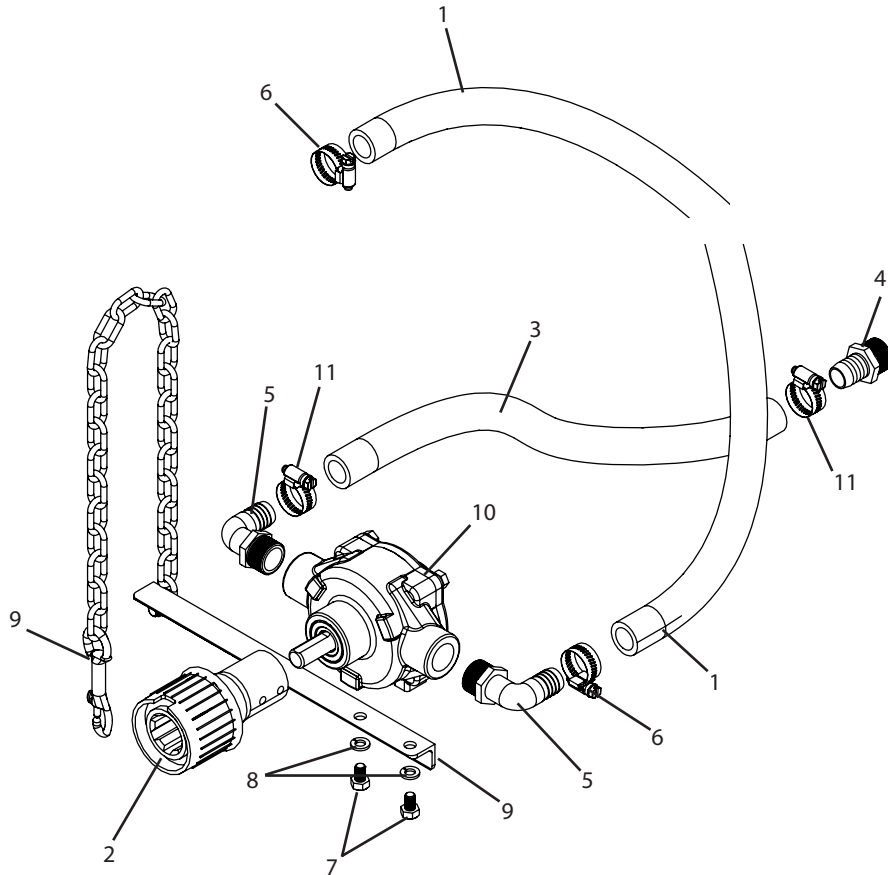
* Component parts breakdowns are available for these parts.

AA6B Manual Control Valve



Ref#	Qty.	Part Number	Description
1	1	CP36301NY	Handle, AA6B valve
2	1	CP36308SS	Pin, Handle AA6B Valve
3	1	CP36302PP	Body Insert, Polypropylene (Black)
4	1	CP36303PP	Body, AA6B Valve Poly
5	1	CP36309302SS	Clip, Retaining Clip SS

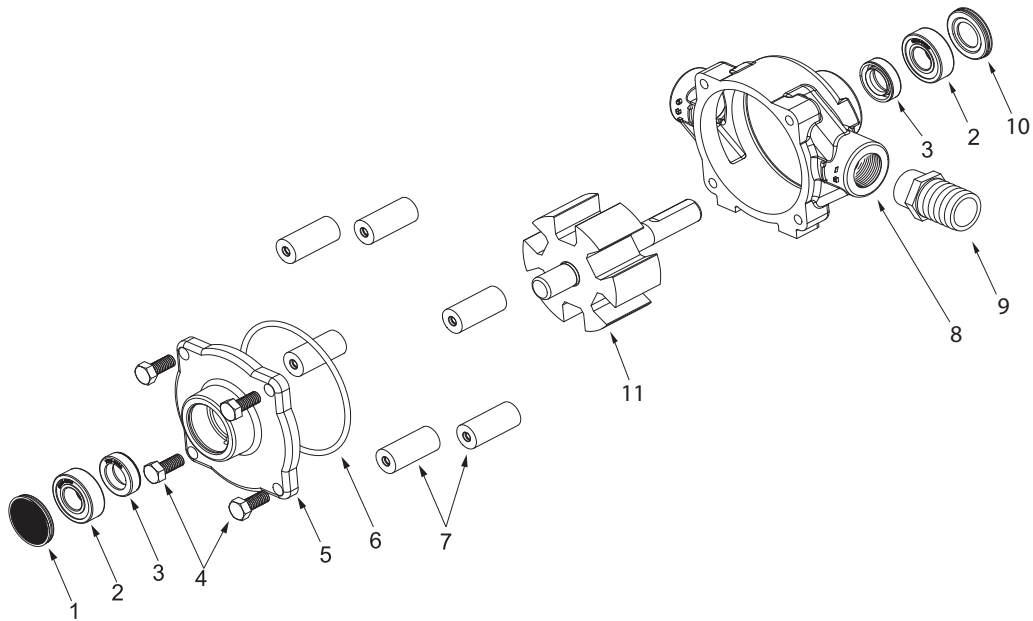
P3PT-6500XL Pump Subassembly



Ref#	Qty.	Part Number	Description
1	7 FT	1012	Hose, EPDM Rubber 3/4" 300 PSI
2	1	13230074	Coupler, Quick 540 RPM x 5/8" Pump Shaft Forged Steel
3	3.5 ft	3003	Hose, Suction 3/4" Clear PVC 100 PSI
4	1	3A3434	Fitting, Hose 3/4" MPT x 3/4" HB
5	2	3EL3434	Adapter, Hose 90° 3/4" MPT x 3/4" HB
6	2	6812052	Hose Clamp, 1/2" - 1-1/4" SS
7	2	H5C516*12	Bolt, Hex 5/16-18 x 1/2" Gr 5
8	2	LW516	Washer, Lock 5/16"
9	1	PTA *	Torque arm assembly
10	1	6500XL *	Pump, Roller SilverCast 6-Roller 5/8" Shaft 3/4" FPT Ports
11	2	6810052	Hose Clamp, 1/2" - 1-1/16" SS

* See support page for component breakdown.

6500XL Pump



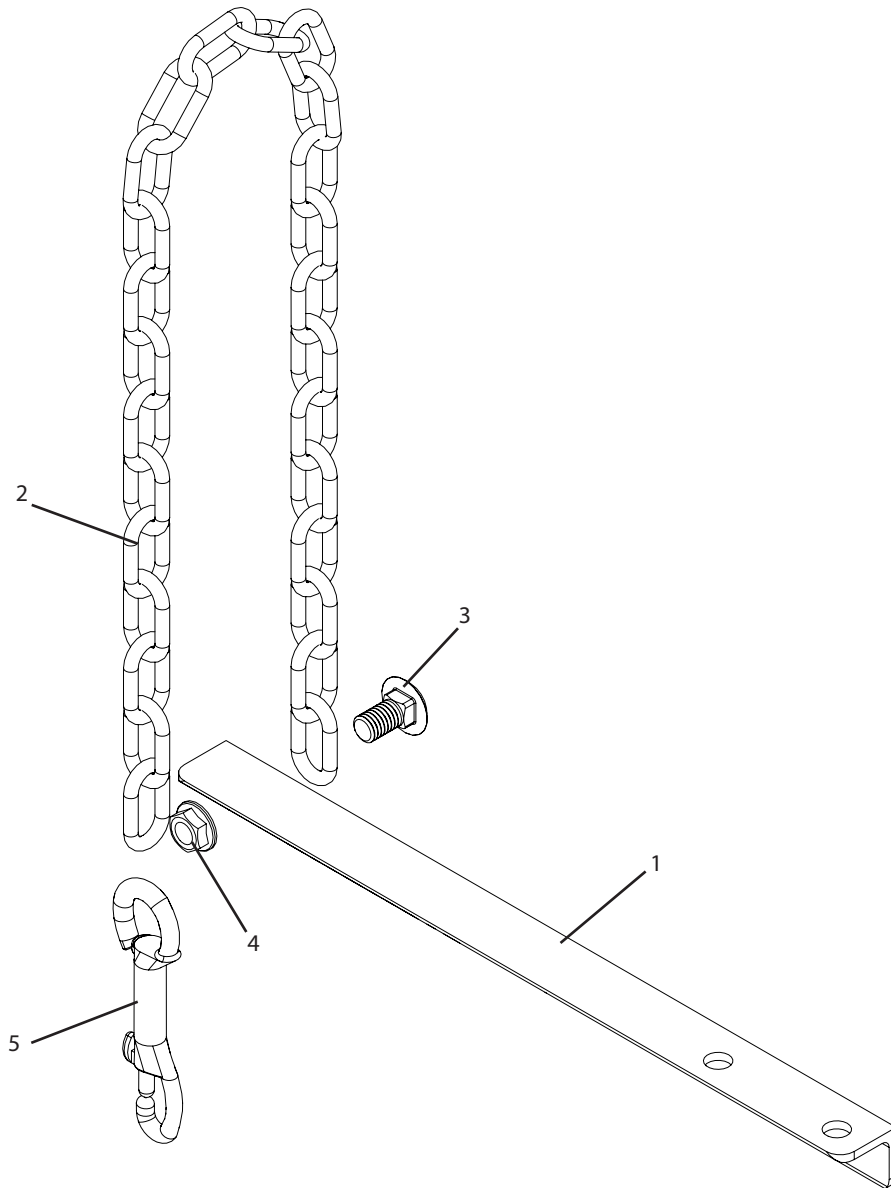
Ref #	Qty.	Part Number	Description
1	1	2300-0021	Bearing cover
2	2	2000-0010	Sealed ball bearing
3	2	2107-0002	Viton seal (standard)
3	2	2102-0001	Buna-N seal (optional)
3	2	2102-0001T	Teflon coated Buna-N seal (optional)
4	4	2210-0004	Bolts
5	1	0200-6600C	Endplate (cast iron) with seal
5	1	0200-6600N	Endplate (Ni-resist) with seal
5	1	0200-6600X	Endplate (SilverCast) with seal
6	1	1720-0008	O-ring gasket for endplate
7	6	1005-0004	Super roller (standard)
7	6	1002-0004	Polypropylene roller (optional)
7	6	1052-0004	Buna-N roller (optional)
7	6	1055-0004	Teflon roller (optional)
12	1	0100-6600C	Body (cast iron) with seal
12	1	0100-6600N	Body (Ni-resist) with seal
12	1	0100-6600X	Body (SilverCast) with seal
13	1	2404-0052	1" hose barb
14	1	2300-0023	Shaft bearing cover
15	1	0300-6600C	Rotor assembly (cast iron)
15	1	0300-6600N	Rotor assembly (Ni-resist)
15	1	0300-6600X	Rotor assembly (SilverCast)

Repair parts kits:

3430-0380

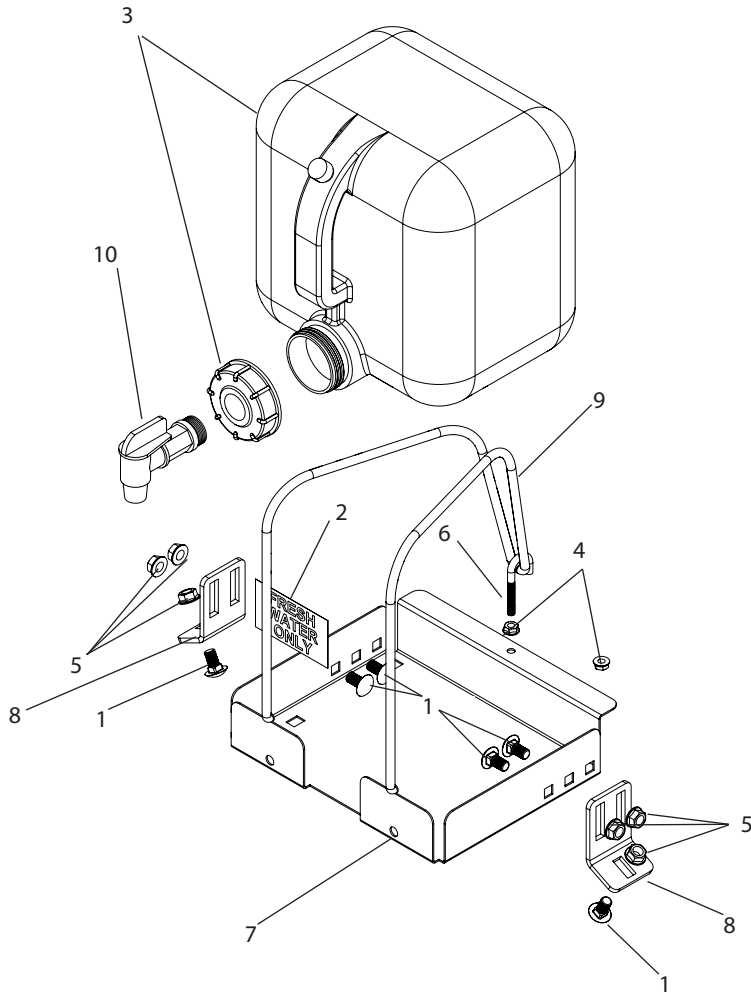
Consists of: 6 pc. ref. #7 (super rollers), 1 pc. ref. #6 (o-ring), and 2 pc. ref. #3 (viton seals).

PTA Torque Arm



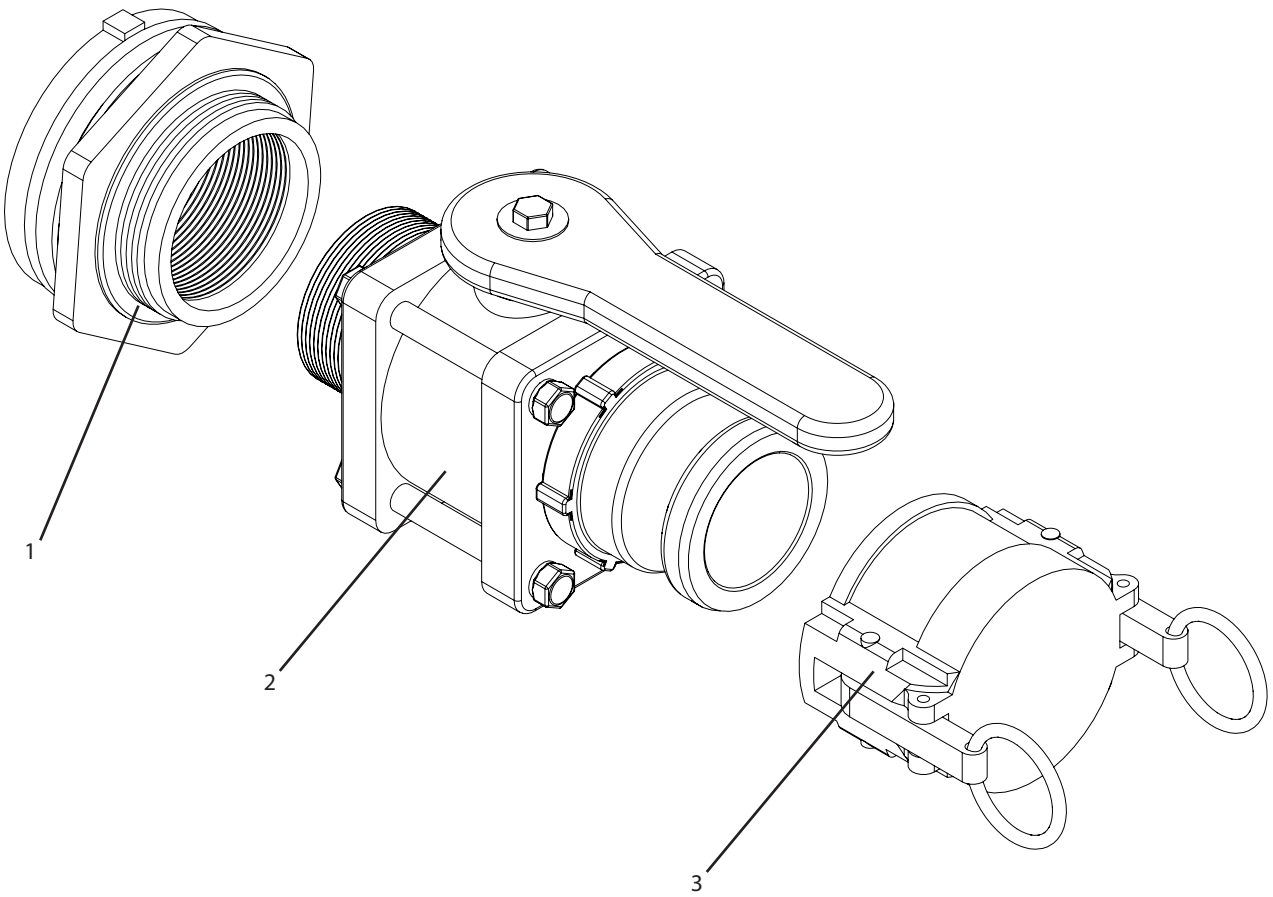
Ref#	Qty.	Part Number	Description
1	1	PUMPTA	Pump torque arm
2	2 FT	ZC316	Chain, Coil 3/16" Proof Gr 30 Zinc
3	1	CB516*34G5	Bolt, Carriage 5/16-18 x 3/4" Gr 5
4	1	FN516	Nut, Flange 5/16-18
5	1	7606011	Snap, Rigid Bolt Open Eye Zinc

A116K Fresh Water Safety Tank Accessory



Ref#	Qty.	Part Number	Description
1	6	CB38*34G5	Bolt, Carriage 3/8-16 x 3/4" Gr 5
2	1	DE21	Decal, "Fresh Water Only"
3	1	F2503	Tank, 2.5 Gal White Foamer
4	2	FN14	Nut, Flange 1/4-20
5	6	FN38	Nut, Flange 3/8-16
6	1	N232884	Bolt, J-Bolt 1/4-20 x 2 5/16" Zinc
7	1	T555	Tank pan, black, for 2.5 gal fresh water
8	2	T555A	Brace, black, for 2.5 gallon tank pan
9	1	T555B	Bungee cord, 5/16" x 36" long, fresh water kit
10	1	VDB34	Valve, Drum & Barrel 3/4" MPT PVC White

A125K Quick Fill Accessory



Ref#	Qty.	Part Number	Description
1	1	60405	Fitting, Tank 2" Fitting Dbl Tap (Requires a 3" Hole)
2	1	200CMMC	Valve, Ball Bolted Compact 2" Full Port MPT x Male Coupler
3	1	200DCS	Dust Cap, 2" Male Coupler

CROPCARE

by PBZ[®]

Manufactured by PBZ LLC
A Paul B Zimmerman Inc. Company
www.CropCareEquipment.com