

OPERATOR'S MANUAL

WITH WARRANTY & PARTS LIST

For



**SPREADER
MODELS
CM-25&CM-50**

October 15, 2020



Models CM-25/50 Compact Manure Spreaders

(Operators Manual for current models - older models subject to differences on warranty and minor details)

LIMITED WARRANTY

Conestoga Manufacturing, LLC of Kirkwood, PA, warrants to the original purchaser a guarantee that each product it manufactures is free from defects in both material and workmanship, if properly serviced and operated under normal conditions, for 1095 days from the date of purchase. Components installed in the unit which are not manufactured by Conestoga Mfg. will be covered under the terms spelled out by each manufacturer, unless otherwise stated.

The Poly Floor has a Lifetime Warranty. Conestoga offers a 10-year, rust-through warranty.

Conestoga Mfg. is committed to correct defect(s), without charge only when the work is done at the place of manufacture, or at one of Conestoga's authorized dealers and/or service centers.

Transportation charges to and from the point of service will be the responsibility of the purchaser.

All warranty claims will be subject to examination by Conestoga Mfg. Replacement and/or repair of defect(s) will be considered by Conestoga Mfg. to have satisfied the obligation to the original purchaser.

Conestoga Mfg. shall not be made liable for any incidental or consequential damages, under any circumstances arising from loss or other damages or losses owing to the failure or use of Conestoga's products beyond the cost of repair or replacement of any defective parts.

Conestoga Mfg. will not recognize any warranties extending beyond 1095 days. Any extended warranties created by dealers must heretofore be authorized in writing by an officer of Conestoga Mfg.

Warranty Claim Forms can be obtained by contacting Conestoga Mfg.



Manufacturers of Compact Manure Spreaders and Drop Spreaders

1867 KIRKWOOD PIKE • KIRKWOOD, PA 17536 • PHONE (717) 529-0199 • FAX (717) 529- 6746

INTRODUCTION

GUIDE TO THIS MANUAL

This manual contains all the necessary information necessary to safely operate the Conestoga Models CM-25 & CM-50 Ground-drive Spreaders. Should any questions arise, please contact Conestoga Mfg. or your Dealer before starting this equipment.

..
Regarding the information presented in this manual: All safety, operating and service information reflect current production units at the time this manual was published.

References made to Left, Right, Front or Rear are directions given when you are facing the unit from the rear.

Please read this entire manual carefully before operating this unit: doing so will insure your safety and prolong the high performance of the equipment.

FOR YOUR SAFETY

This manual contains the following Safety Statements, listed separately here to impress upon you their importance:

- **NOTE:** A clarification of information previously stated or additional pertinent information.
- **ATTENTION:** A safety statement indicating that potential damage to the equipment may occur if instructions are not followed.

CAUTION: A Safety Statement which reminds you of a good safety practice and/or directs your attention to an unsafe practice which could result in Personal Injury.

WARNING: A Strong Safety Statement; indicating that a Hazard exists which may result in Injury or Death if proper procedures are not followed.

DANGER: The utmost level of safety must be observed; an extreme hazard exists which will result in the high probability of death or irreparable serious personal injury if proper precautions are not taken.

The best equipment operator is a careful operator. By using common sense, observing the safety rules and adhering to the precautions specific to this spreader, you the operator can expect this unit to provide many hours of carefree service.

In addition to observing the specific precautions listed throughout this manual, the following general precautions apply and must be adhered to in order to ensure safe and proper operation of this equipment.

WARNING: Keep hands and feet from under the spreader at all times. Be sure other persons are at a safe distance from the equipment before operating the unit.

WARNING: DO NOT attempt to operate the spreader in areas with steep inclines, ditches, large rocks, stumps or holes which may endanger the operator by upsetting the tractor or causing damage to the spreader.

CAUTION: To prevent injury and promote safe spreader operation, keep all shields in place during operation. Ensure that all mounting hardware is properly tightened.

WARNING: Never clean, adjust or repair the spreader while the tractor is running.

WARNING: Never get off the tractor while it is in motion and/or the spreader is in operation.

WARNING: Never wear loose clothing when operating the spreader as it may become caught in the moving parts of the machine.

WARNING: Never allow children or anyone else to ride on the spreader.

ATTENTION: To ensure proper and safe operation of the spreader, periodically inspect all parts for excessive wear. Replace worn components with factory authorized parts.

ATTENTION: DO NOT back up when the spreader is in unloading mode; doing so can cause the beater drive chain to jump off its sprocket.

The following Safety Decals have been placed on your spreader to remind you of the critical safety precautions which must be heeded to ensure the personal safety to you the operator, and any persons in the vicinity of the equipment while it is in operation. Be sure to keep the Safety Decals clean and readable. If the decals ever become damaged or illegible, contact your Conestoga dealer for replacements.

SAFETY DECALS

The safety decals appearing below are a sampling of those affixed to the Model CM-25 Spreader. These examples are not meant to represent all decals, but to illustrate typical precautionary and informational signage relating to the Conestoga CM-25 & CM-50 ground-drive spreader operation and use.

IMPORTANT: *It is the responsibility of the operator to locate, read, and adhere to all information provided on all decals affixed to the unit being operated.*

⚠ WARNING

DO NOT attempt to use this apparatus unless you are trained in its proper use or are under competent supervision. For your own safety, practice the Safety & Operating Instructions every time you use the apparatus. Deviating from these procedures may result in operator injury. All operations must conform to the applicable Federal, State, County or City regulations for installation, operation, ventilation, fire prevention & protection of personnel. If at any time the apparatus you are using does not perform in its usual manner, or you have a difficulty in the use of the apparatus, stop using it immediately, DO NOT use the apparatus until the problem is corrected.

⚠ WARNING

DO NOT make adjustments, lubricate or unplug the apparatus with engine running. Keep all body parts, including hands, feet & hair away from all operating parts of this apparatus.

Apparatus is not for passenger use or riding. Anyone coming in contact with beaters or other operating parts of this apparatus may result in serious injury or death. Do not use the safety bar as a handrail.

NOTICE: DO lubricate appropriate parts of this apparatus every 10 hours of operation DO NOT lubricate with the engine running.

FAILURE TO FOLLOW ALL THE INSTRUCTIONS MAY RESULT IN SERIOUS BODILY INJURY OR DEATH.

⚠ WARNING

NEVER leave operating position without turning off the engine & removing the key.

Apparatus is not designed for use at speeds greater than 8 mph while engaged.

DO NOT back up while apparatus is engaged.

FAILURE TO FOLLOW ALL THE INSTRUCTIONS MAY RESULT IN SERIOUS BODILY INJURY OR DEATH.

⚠ WARNING

READ & UNDERSTAND ALL THE SAFETY & OPERATING INSTRUCTIONS BEFORE OPERATING THIS APPARATUS. IF YOU DO NOT UNDERSTAND THESE INSTRUCTIONS OR HAVE ANY QUESTIONS, CONTACT YOUR SUPERVISOR OR DEALER BEFORE ATTEMPTING TO USE THE APPARATUS. FAILURE TO FOLLOW ALL THE INSTRUCTIONS MAY RESULT IN SERIOUS INJURY OR DEATH TO THE OPERATOR.

⚠ WARNING

NEVER turn on or engage the apparatus with someone standing in close proximity to any movable part of the apparatus.

NEVER ride this apparatus.

FAILURE TO FOLLOW ALL THE INSTRUCTIONS MAY RESULT IN SERIOUS BODILY INJURY OR DEATH.

OPERATION

Proper and safe operation of the Conestoga CM-25 spreader requires being familiar with the drive lines and following all safety precautions:

Two Spreader Drive Lines

The right-hand control lever engages the floor apron chain drive line, which moves the manure to the rear of the spreader and into the beater.

The left-hand control lever engages beater drive line which spreads the manure. (Left and right sides are as when the spreader is viewed from the rear.)

Loading the Spreader

Loading the spreader from front to rear will make the unloading process easier.

NEVER store manure in the spreader between times of unloading during the cold winter months. A frozen load could result in severe equipment damage (a torn apron chain might be the result).

DO NOT store wet manure in the spreader or keep the spreader outdoors when loaded; doing so will speed up rust and corrosion.

Before proceeding with the operation of the spreader, review all of the safety statements.

ATTENTION: In order to obtain proper and aggressive spreading action, the spreader must reach a ground speed of three miles per hour (this amounts to a comfortable walking pace). Spreading at speeds of eight miles per hour (this amounts to a very brisk walking pace) can cause excessive wear and/or damage to the equipment.

Be sure to stop the unit completely before executing these steps:

1. If your unit is equipped with an end gate option, lift the end gate.
2. Engage the left-hand lever to start the beater.
3. Begin moving forward while engaging the right-hand lever, which starts the movement of the apron floor chain.
4. Be sure you reach the operating speed of 3 miles per hour, but no more than 8 miles per hour.
5. When the spreader is almost empty and very little manure is pushing against the beater, disengage the left-hand lever and the beater action should stop.
6. Allow the apron chain to continue running until the remaining manure exits the spreader.
7. When the spreader is completely unloaded, disengage the right-hand lever to stop the movement of the apron chain.

MAINTENANCE & LUBRICATION

WARNING: All Shields that have been removed must be replaced after lubrication, maintenance or adjustments are performed.

By performing regular lubrication & maintenance, you will ensure continued high performance from your Conestoga Spreader.

- Clean the spreader after each use.
- Check the spreader before use for loose, bent, or broken parts.

ATTENTION: During operation, listen for abnormal sounds which might indicate loose parts or equipment damage. Correct any problems immediately. Refer to the parts break-down drawings on pages 10 & 11 of this manual.

ATTENTION: Worn grease fittings which will not receive the gun and/or fittings with a stuck check valve must be replaced. All fittings are SAE standard. Lubricate all non-sealed fittings until grease begins to seep from the fitting. Use a multi-purpose grade grease. Grease points are as follows:

ADJUSTMENTS



Floor Apron Chain - Periodically check the floor apron chain tension by pulling up on the center cross member of the floor apron.

- If you can lift the cross member higher than 5 inches, the chain is too loose.
- If you can lift the cross member no higher than 3 inches the chain is too tight.

If this chain needs adjustment, use a $\frac{3}{4}$ " wrench to loosen the slide nuts located at the bottom front corners on the side of the spreader. Then turn the $\frac{3}{8}$ " nut on the front of the spreader using a $\frac{9}{16}$ " wrench. Turning the nut clockwise will tighten the apron chain; turning it counterclockwise will loosen the apron chain. Make sure the chains on each side of the apron are adjusted to like tension. Re-tighten the side nuts.



Beater Chain - In order to adjust the beater chain tension, loosen the nut which holds the chain-tension sprocket, ($\frac{5}{8}$ " nut). Loosen or tighten the jacking nut as needed, ($\frac{3}{8}$ " nut) to adjust the chain tension. After the adjustment is set, re-tighten the chain tension nut.

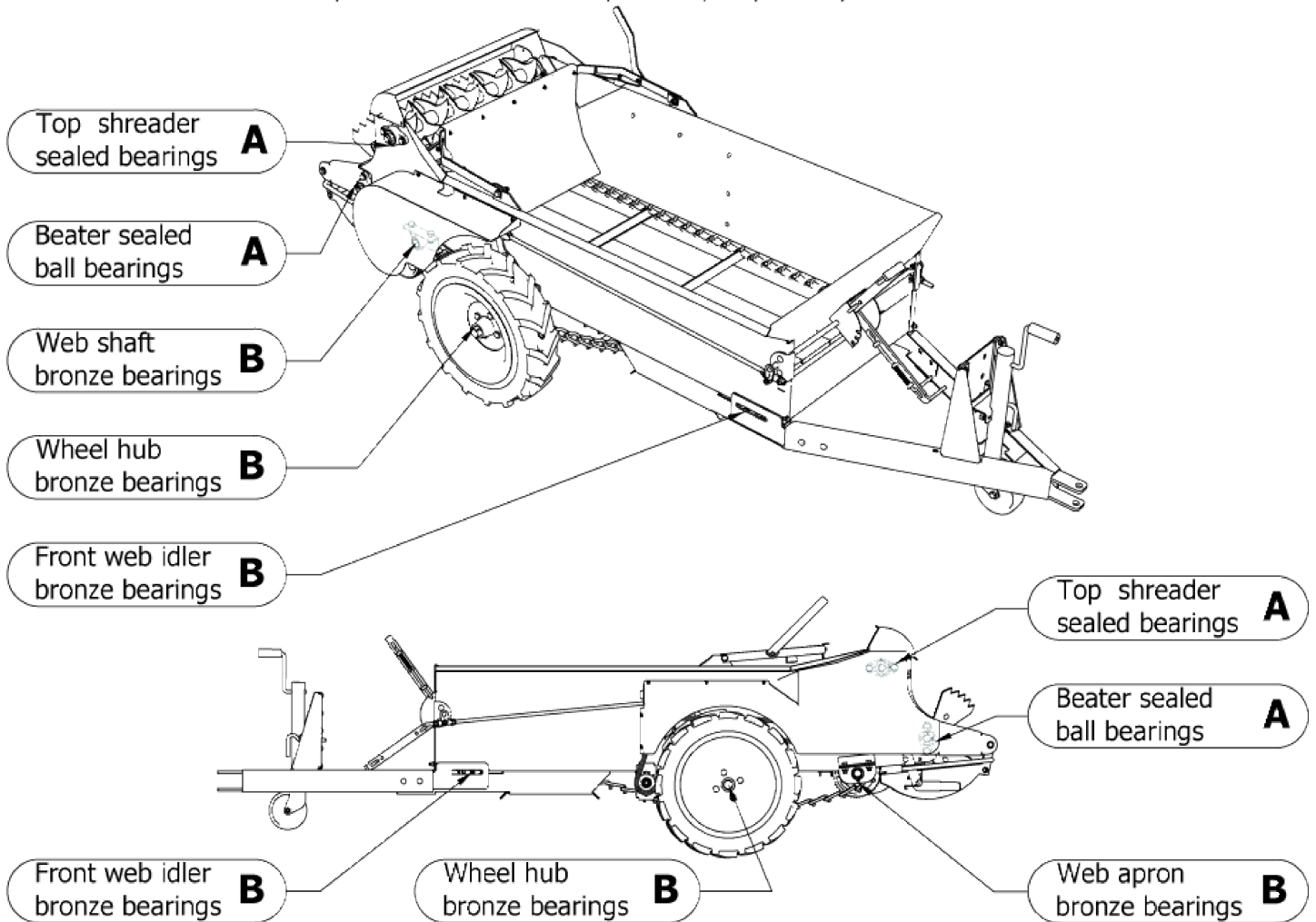


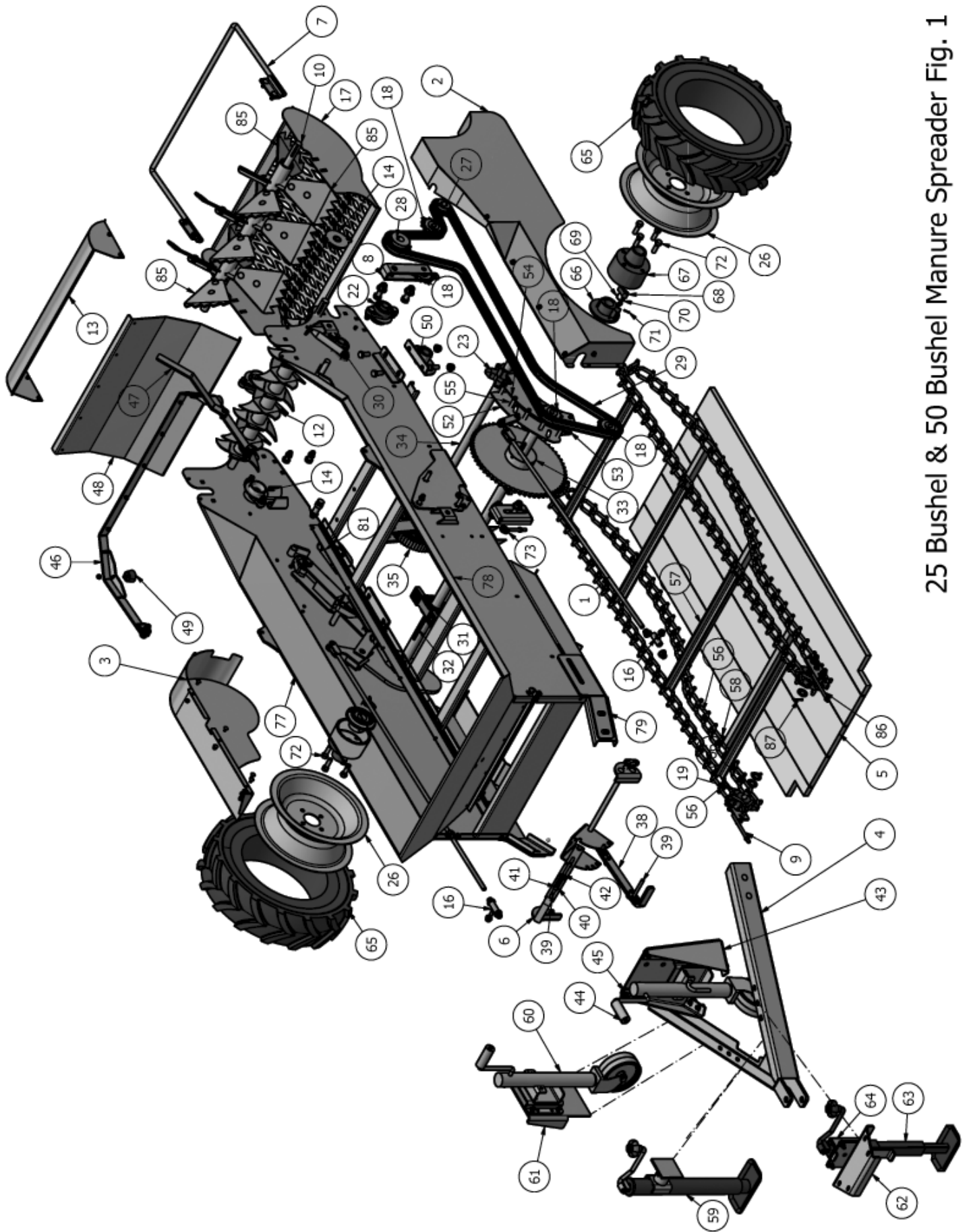
In order to adjust the chain control arm, use a $\frac{3}{4}$ " wrench to loosen the nuts on either side of the slide tee, (located on the front of the control rod). Move the control rod to the front or rear as needed, and re-tighten the nuts. The adjustment is complete when the control arm lifts the chain from all of the teeth in the drive gear. You may have to repeat this adjustment several times in order to achieve the proper setting.

TIRE REPLACEMENT Replace tires on the drive wheels with traction implement tires for correct ground traction.

25 BUSHEL AND 50 BUSHEL GROUND DRIVE SPREADER GREASE LUBRICATION SCHEDULE

Total of 10 grease fitting points per unit 5 on each side of the unit.
Grease point with label "B" required 3 pumps every 10 hours of use.
Grease point with label "A" required 2 pumps every 200 hours of use.



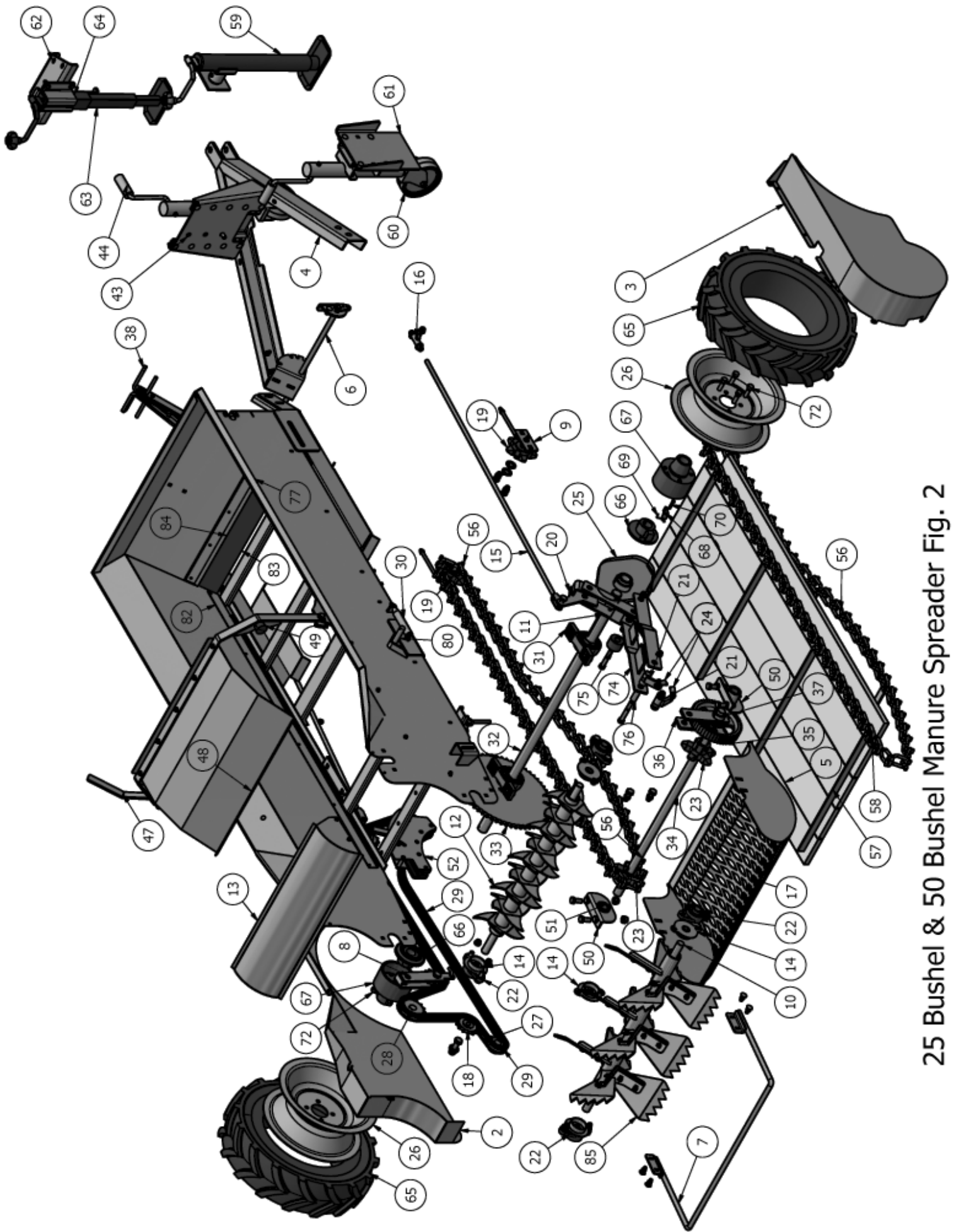


25 Bushel & 50 Bushel Manure Spreader Fig. 1

25 Bushel & 50 Bushel Manure Spreader Parts List

| ITEM | QTY | PART NUMBER | ITEM | QTY | PART NUMBER |
|------|-----|---|------|-----|--|
| 1 | 1 | CMP-CS10208 - Chain Lifter Arm Rod Assy | 45 | 2 | CMP-CS1053 - Lg. Strip |
| 2 | 1 | CMP-CS10204 - Chain Guard | 46 | 1 | CMP-CS1062 - End Gate Bar |
| 3 | 1 | CMP-CS10205 - Ratchet Guard | 47 | 1 | CMP-CS1064 - End Gate Handle |
| 4 | 1 | CMP-CS10201 - Front Hitch A Frame Assy | 48 | 1 | CMP-CS1065 - End Gate Panel |
| 5 | 1 | CMP-CS10202 - Floor Boards | 49 | 2 | CMP-CS10161 - Rubber Bumper |
| 6 | 1 | CMP-CS10207 - Lever Mount Bracket | 50 | 2 | CMP-CS1038 - Bronze Bushing Holder |
| 7 | 1 | CMP-CS10212 - Buck Bar | 51 | 2 | CMP-CS10131 - Bronze Bushing |
| 8 | 1 | CMP-CS10222 - Chain Tensioner Assy | 52 | 1 | CMP-CS1006 - L- Clutch Shoe Panel |
| 9 | 1 | CMP-CS10233 - Front Idler Assy MIRR | 53 | 1 | CMP-CS10119 - Chain Guide Plastic |
| 10 | 1 | CMP-CS10211 - Main Beater | 54 | 1 | CMP-CS1007 - R- Clutch Shoe Panel |
| 11 | 1 | CMP-CS10229 - 9 in Ratchet Arm Assy | 55 | 5 | CMP-CS10135 - Chain Guide Spacer |
| 12 | 1 | CMP-CS10217 - Upper Shreader Assy | 56 | 98 | CMP-CS10152 - Web Chain C25 |
| 13 | 1 | CMP-CS10214 - Top Beatre Guard | 57 | 7 | CMP-CS10151 - Web Chain Angle |
| 14 | 4 | CMP-CS10224 - Beater Pipe Sleeve | 58 | 116 | CMP-CS10152A - Web Chain C50 |
| 15 | 1 | CMP-CS10209 - Ratchet Arm Rod | 59 | 1 | CMP-CS10239 - 50Bu. Trailer Jack Assy |
| 16 | 2 | CMP-CS10210 - Rod End Assy | 60 | 1 | CMP-CS10238 - 50Bu. Wheel Jack Assy |
| 17 | 1 | CMP-CS10203 - Fines Pan Assy | 61 | 1 | CMP-CS2023 - 50Bu. Wheel Jack Mount Bracket |
| 18 | 4 | CMP-CS10121 - Sprocket | 62 | 1 | CMP-CS1066 - 25Bu. Trailer Jack Assy Bracket |
| 19 | 3 | CMP-CS10137 - Web Idler Sprocket Front | 63 | 1 | CMP-CS10240 - 25Bu. Trailer Jack Assy |
| 20 | 1 | CMP-CS10230 - Upper Ratchet Arm Assy | 64 | 2 | CMP-CS1069 - 25Bu. Jack Saddle Bracket |
| 21 | 3 | CMP-CS10227 - Ratchet Paw Assy | 65 | 4 | CMP-CS10170 - Tire |
| 22 | 4 | CMP-CS10132 - UCFL205-16 Flange Bearing | 66 | 4 | CMP-CS10141 - Wheel Ratchet Inner Hub |
| 23 | 2 | CMP-CS10136 - Web Sprocket | 67 | 4 | CMP-CS10142 - Wheel Ratchet Outer Drum |
| 24 | 2 | CMP-CS10158 - Ratchet Spring | 68 | 4 | CMP-CS10141A - Ratchet Pawl |
| 25 | 1 | CMP-CS10231 - Main Cam Assy | 69 | 4 | CMP-CS10141B - Ratchet Torsion Spring |
| 26 | 4 | CMP-CS10139 - Wheel Rim | 70 | 4 | CMP-CS10141C - Ratchet Pin |
| 27 | 1 | CMP-CS10123 - Sprocket | 71 | 4 | 3/32 x 1/2 Cotter Pin |
| 28 | 1 | CMP-CS10122 - Sprocket | 72 | 16 | Wheel Lug Bolt |
| 29 | 1 | CMP-CS10124 - Roller Chain 60 | 73 | 1 | CMP-CS10241 - Chain Idler Tension Assy |
| 30 | 2 | CMP-CS10128 - Conical Spring | 74 | 1 | CMP-CS1029 - Center Ratchet Arm |
| 31 | 2 | CMP-CS10118 - GTG P207 Pillow Block | 75 | 1 | CMP-CS10148 - CS Cam Roller |
| 32 | 1 | CMP-CS10109 - Axle Shaft | 76 | 1 | CMP-CS10168 - Ratchet Sleeve |
| 33 | 1 | CMP-CS10120 - Chain Drive Sprocket | 77 | 1 | CMP-CS1000-L - Side L |
| 34 | 1 | CMP-CS10110 - Web Shaft | 78 | 1 | CMP-CS1000-R - Side R |
| 35 | 1 | CMP-CS10144 - Web Ratchet Gear | 79 | 1 | CMP-CS1033 MIRR - Hitch Plate |
| 36 | 2 | CMP-CS1027 - Rear Ratchet Arm | 80 | 1 | CMP-CS10219 - Ratchet Arm Shaft Assy |
| 37 | 1 | CMP-CS10147 - Shaft Collar | 81 | 1 | CMP-RCS1070 - Side Strip R |
| 38 | 2 | CMP-CS1026 - Lever | 82 | 1 | CMP-CS1070A - Side Strip R |
| 39 | 2 | CMP-CS10114 - Lever Lock Handle | 83 | 1 | CMP-CS10169 - Rubber Flap |
| 40 | 2 | CMP-CS10115 - Compression Spring | 84 | 1 | CMP-CS1000-BA - Rubber Hold Down |
| 41 | 4 | CMP-CS10116 - 5/16in Shaft Collar | 85 | 12 | CMP-CS1002 - Beater Paddles |
| 42 | 2 | CMP-CS10117 - 3/8in Shaft Collar | 86 | 1 | CMP-CS10232 - Front Idler Assy |
| 43 | 1 | CMP-CS1051 - 25Bu. Dolly Jack Brkt. | 87 | 1 | 1/8 x 1 1/4 Cotte Pin |
| 44 | 1 | CMP-CS10155 - 25Bu. Wheel Jack Assy | | | |

NOTE: Replacement parts that require hardware are shipped with hardware included and charged separately on the invoice.



25 Bushel & 50 Bushel Manure Spreader Fig. 2

SPECIFICATIONS

| <i>DESCRIPTION</i> | <i>MODEL CM-25</i> | <i>MODEL CM-50</i> |
|---------------------------|--|--|
| <i>Capacity</i> | <i>26 Cubic ft.</i> | <i>50 Cubic ft.</i> |
| <i>Overall Length</i> | <i>120 in.</i> | <i>142 in.</i> |
| <i>Overall Width</i> | <i>47 in.</i> | <i>55 in.</i> |
| <i>Loading Height</i> | <i>30 in.</i> | <i>33 in.</i> |
| <i>Flared Width</i> | <i>35 in.</i> | <i>42.5 in.</i> |
| <i>Box Width</i> | <i>28 in.</i> | <i>35 in.</i> |
| <i>Box Length</i> | <i>78 in.</i> | <i>90 in.</i> |
| <i>Box Height</i> | <i>15.5 in.</i> | <i>19.75 in.</i> |
| <i>Box Construction</i> | <i>Fully Welded, 12-Gauge, Cor-Ten Steel</i> | <i>Fully Welded, 12-Gauge, Cor-Ten Steel</i> |
| <i>Floor Construction</i> | <i>High Density Poly-Vinyl 3/4 in. T & G</i> | <i>High Density Poly-Vinyl 3/4 in. T & G</i> |
| <i>Beater Paddles</i> | <i>12, Replaceable</i> | <i>12, Replaceable</i> |
| <i>Beater Diameter</i> | <i>18 in.</i> | <i>19 in.</i> |
| <i>Drive</i> | <i>2-Wheel Ground</i> | <i>2-Wheel Ground</i> |
| <i>Apron Chain</i> | <i>Stainless Steel, T-Rod, 5/16 in.</i> | <i>Stainless Steel, T-Rod, 5/16 in.</i> |
| <i>Apron Drive</i> | <i>4-Speed, Ratchet</i> | <i>4-Speed, Ratchet</i> |
| <i>Axle</i> | <i>1³/₈ in.</i> | <i>1³/₈ in.</i> |
| <i>Wheels</i> | <i>12 X 16 - 4-Bolt</i> | <i>15 X 5 - 4-Bolt</i> |
| <i>Tires</i> | <i>6 - 12 Traction</i> | <i>5.90 - 15 Traction</i> |
| <i>Jack</i> | <i>Standard</i> | <i>Standard</i> |
| <i>Weight w/Tires</i> | <i>525 Lbs.</i> | <i>825 Lbs.</i> |
| <i>Upper Beater</i> | <i>Standard</i> | <i>Standard</i> |
| <i>End Gate</i> | <i>Optional</i> | <i>Optional</i> |
| <i>Fines Pan</i> | <i>Optional</i> | <i>Optional</i> |
| | | |

OPERATOR'S MANUAL & PARTS LIST



CONESTOGA MANUFACTURING, LLC
1867 Kirkwood Pike Kirkwood, PA 17536
Tel 717 • 529 • 0199

CONESTOGA MANUFACTURING, LLC reserves the right to discontinue models at any time, change specifications and improve design without notice and without incurring obligation on goods previously purchased and discontinue supplying any part listed, when the demand does not warrant production.