

# **OPERATOR'S MANUAL**

**WITH WARRANTY & PARTS LIST FOR**



## **COMPOST TOPDRESSER**

**Model 248PT - Pull-Type Unit**

***Earth & Turf***  
America's Compact Topdresser Company



## 248PT Pull-Type Compost Topdresser **LIMITED WARRANTY**

**Earth & Turf Products, LLC** warrants to the original Purchaser, all Earth & Turf products, manufactured by it, to be free from defects in both material and workmanship under normal use and service.

**Earth & Turf Products, LLC** obligation under this Warranty shall be limited to replacement or repair of any parts thereof, free of charge to the original Purchaser, at its place of business, provided, however, that the part(s) to be replaced or repaired, shall **within 1 years** after delivery to the original Purchaser, be demonstrated to be defective: which determination shall be made by Company.

The said components or parts must be returned through the Selling dealer or distributor directly to the Company with all transportation charges prepaid.

**Notice of defects** shall be furnished in writing to the Seller and to the agent through whom the machinery was received, disclosing in full all known defects and failure in operation and use, and reasonable time shall be given to the Seller to remedy any such defects and failures.

**Failure to make such trial** or to give such notice shall be deemed an absolute acceptance by the Buyer and satisfaction in full of this Limited Warranty.

**Under no circumstances** does this warranty cover normal wear of any parts, components or material which, in the opinion of the Seller and the Company, have been subjected to neglect, misuse, alteration, accident, or if repaired, with parts other than those manufactured by and obtained from **Earth & Turf Products, LLC**.

**This Warranty does not cover** components which are already covered by a separate Warranty provided by the supplier of said parts or components.

**Earth & Turf Products, LLC's obligation** under this Warranty is limited to repair or replacement, free of charge to the original Purchaser, of any part which in the judgment of the Company is defective.

**THIS WARRANTY IS MADE EXPRESSLY IN LIEU OF ALL OTHER WARRANTIES, EXPRESSED OR IMPLIED, INCLUDING ANY WARRANTY OF MERCHANTABILITY AND FITNESS FOR USE AND PURPOSE AND OF ALL OTHER OBLIGATIONS OR LIABILITIES ON ITS PART AND ANY IMPLIED PERSON TO ASSUME FOR IT, ANY OTHER LIABILITY IN CONNECTION WITH A SALE OF THESE PRODUCTS.**

**THIS WARRANTY SHALL NOT APPLY TO THESE PRODUCTS OR TO ANY PART THEREOF WHICH HAS BEEN SUBJECT TO ACCIDENT, NEGLIGENCE, ALTERATION, ABUSE OR MISUSE.**

- The Company makes no warranty whatsoever in respect to accessories or parts not supplied by the Company. The term "original Purchaser", as used in this Warranty, shall be deemed to mean that person for whom the product is originally supplied.
- The Company, under this Warranty, cannot guarantee that existing conditions beyond its control will not affect its ability to obtain materials or manufacture necessary replacement parts.
- The Company reserves the right to make design changes, or specifications at anytime, without any contingent obligation on its parts to purchasers of machines and parts previously sold. No one is authorized to alter, modify or change the terms of this Warranty in any manner.
- The Company warrants the Construction of the equipment sold herein and will replace it at its expense for a period of 1 years from the date hereof, any parts which prove defective as determined under the terms of this Limited Warranty.
- This Warranty shall apply only within the boundaries of the continental United States.

# **Earth&Turf**

Manufacturers of Compact Manure Spreaders, Drop Spreaders and Topdressers  
1867 Kirkwood Pike • Kirkwood, PA 17536 • Phone (717) 529-0199 • Fax (717) 500-1036

# SAFETY DECALS

The safety decals appearing below are a sample of those affixed to the Earth & Turf Drop Spreader. These examples are not meant to represent all decals, but to illustrate typical precautionary and informational signage relating to the Earth & Turf Topdresser operation and use.

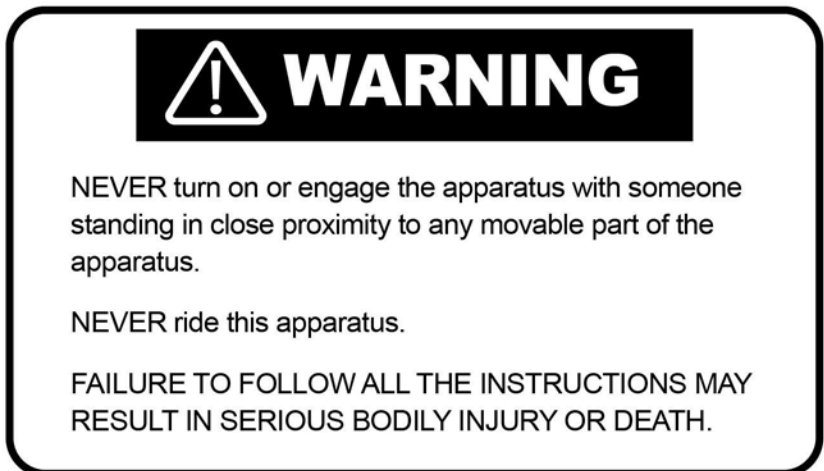
**IMPORTANT: It is the responsibility of the operator to locate, read, and adhere to all information provided on all decals affixed to the unit being operated.**



**- Operator must read before using unit -**

- 1. KEEP HANDS AWAY** from any moving parts of the spreader during operations.
- 2. NEVER** run spreader unless all guards are securely tightened in proper position.
- 3. NEVER** repair any parts or make any adjustments while machine is in motion.
- 4. NEVER** wear loose clothing around any moving parts of the machine.
- 5. NEVER** allow anyone to ride spreader.
- 6. NEVER** operate on slopes.

***\*Failure to heed the above warnings may result in personal injury or death.***



# MAINTENANCE

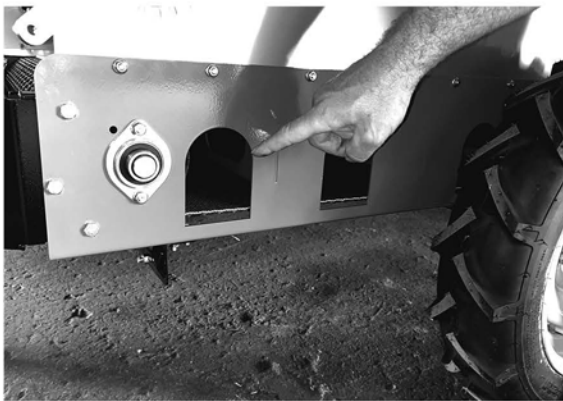
## GUIDE TO THIS MANUAL

**1.** Model 248PT has a very simple design, with maintenance-free, sealed bearings in all but three places - the wheel bearings. These bearings will require lubrication every 10 hours. Grease zerks are located on the right and left wheel hub and below the axle on both sides of the unit. There are a total of 8 grease zerks on this machine.

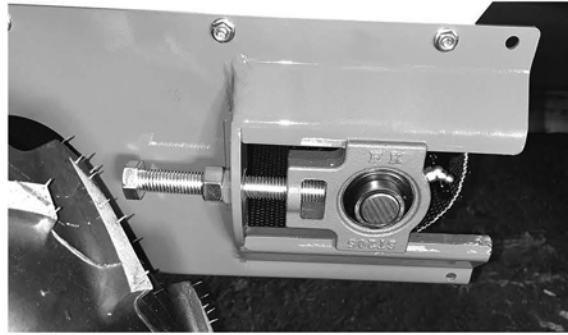
**Maintenance Interval** - with each use.  
See grease lubrication on page 8.

**2.** Always check tire pressure before using the 248PT.

**3.** Store the 248PT Topdresser inside for extended service life.

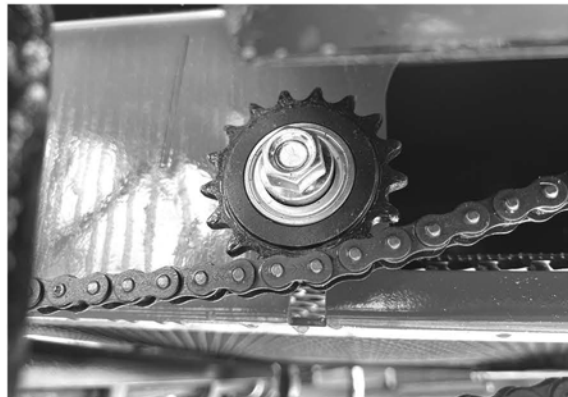


**4.** Pressure wash the conveyor rollers weekly through the four round holes to insure longer life of the conveyor belt. This is essential to the long life of the conveyor belt.



**5.** To adjust conveyor belt tightness, loosen the 5/8" nut behind the welded nut. Next apply a 15/16" wrench to the head of the tightener bolt and turn clockwise to tighten the belt. There should be between 1/2" x 3/4" play in the center of the belt. Always measure each side so the adjustment is equal on both sides.

**6.** The brush that sweeps excess material off the conveyor belt at the front of the unit is adjustable as it wears. Remove the brush from the unit, loosen the keeper nuts, and slide the brush higher. Replace the brush with bristle tips engaging the belt and tighten the nuts.



**7.** The chain on the drive wheel has an idler sprocket tensioner. To adjust it, remove the shield, loosen the nut on the idler sprocket, press down on it to properly tension the chain, then tighten the nut to secure.

# OPERATION

## IMPORTANT OPERATING INFORMATION

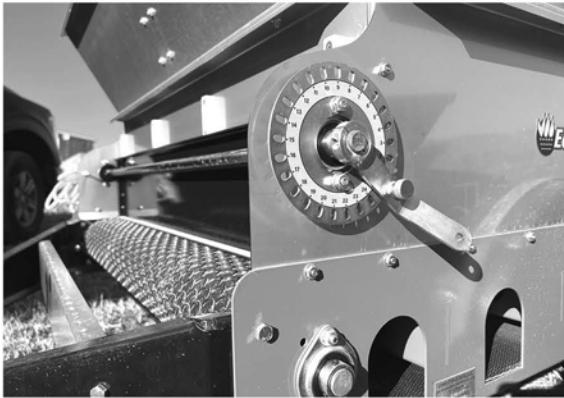
Clean spreader completely after each use. Pressure wash the conveyor rollers weekly through their access holes.

All compost or topdressing materials being run through the spreader unit must be screened to 1/2" minus in order to flow freely and avoid clogging the feed opening.

To increase the service life of the spreader unit, material should never be stored in the spreader.

## OPERATION

- 1.** The Model 248PT is designed to spread compost, sand, and topdressing blends.
- 2.** Be sure that the topdresser is sitting on level ground before filling the hopper.
- 3.** Load the hopper, making sure that the material to be spread is flowable. This is necessary for proper spreading.
- 4.** The end gate is adjustable for different material flow rates by simply using the gate adjuster handle at the right front of the unit. Pull the pin out, turn the handle to set the endgate at the proper height, and replace the pin.



- 5.** Before moving forward, open gate to the position you want. Never try spreading material with gate in the closed position. To begin spreading adjust the endgate opening using the adjustment handle so that it is open to the right height for the spread depth desired.

- 6.** To engage the spreader, pull rope until the clutch pawl locks into first notch.



To disengage, pull rope again until pawl slide all the way forward then release the rope.



# **TROUBLE SHOOTING**

## **TROUBLE SHOOTING**

### ***Problem***

Conveyor belt not moving

### ***Solution***

Tighten conveyor belt. Go to instructions on how to do this (page 5 step 5).

### ***Problem***

Material bridging

Material usually too wet or stringy

Solution: If the material is not heavy you may try removing the cross braces in the box (item #37).

### ***Problem***

Wheel hubs not driving

### ***Solution***

- 1.) Ratchet pawl spring inside hub broken (item #56).
- 2.) Ratchet pawl broken inside hub (item #57).

### ***Problem***

Conveyor belt beginning to tear

### ***Solution***

Too much material between belt rollers and conveyor belt. Clean belt rollers after each use.

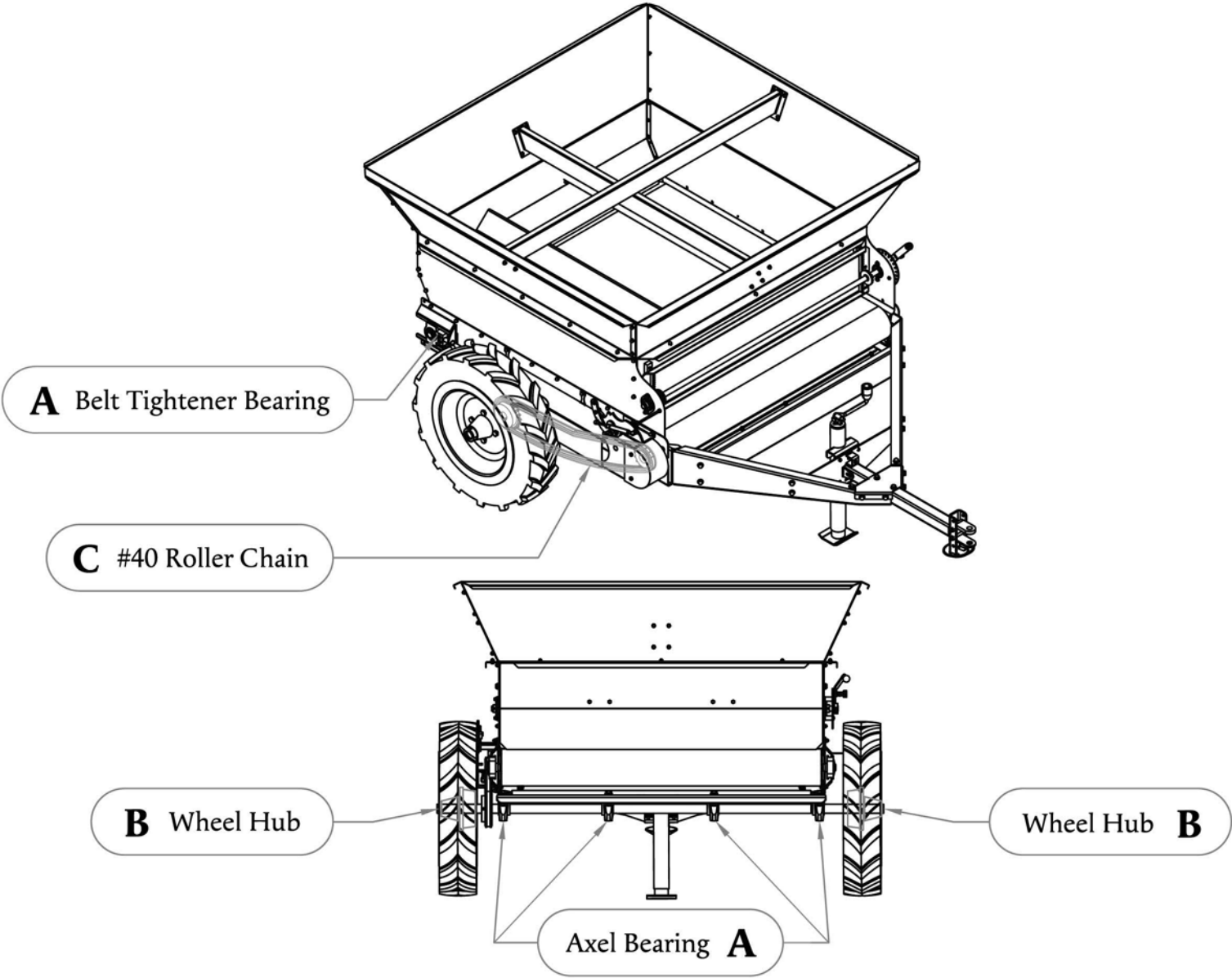
# GREASE LUBRICATION SCHEDULE

Total of 8 grease fitting points per unit .

Grease point with Label "B" required 3 pumps every 10 hours of use.

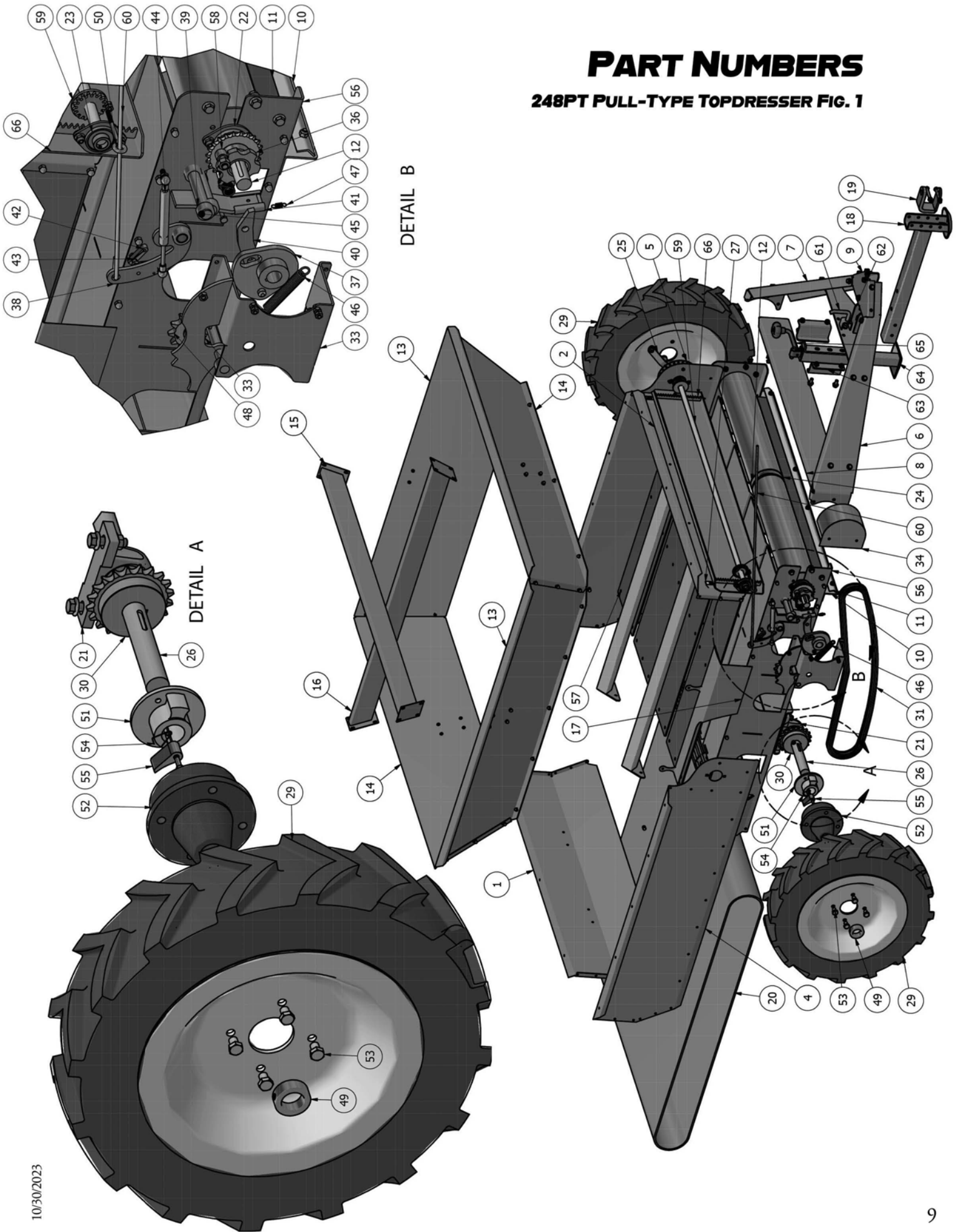
Grease point with Label "A" required 2 pumps every 200 hours of use.

Oil Roller Chain "C" every 10 hours of use.



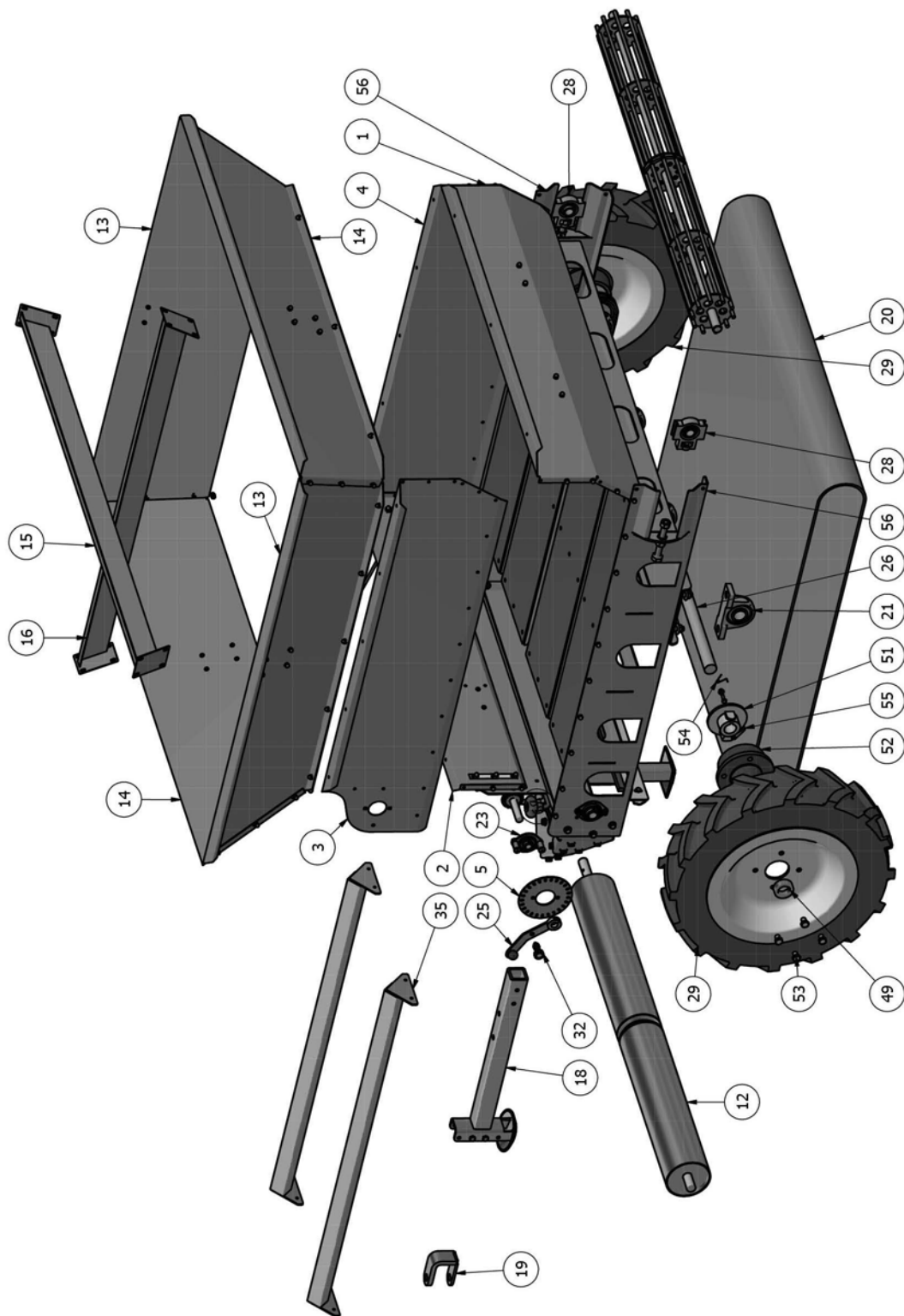
# PART NUMBERS

## 248PT PULL-TYPE TOPDRESSER FIG. 1





# PART NUMBERS



248PT PULL-TYPE TOPDRESSER FIG. 2

<b>ITEM</b>	<b>QTY</b>	<b>PART NO.</b>	<b>DESCRIPTION</b>
<b>1</b>	1	CMP248001	Back Panel
<b>2</b>	1	CMP248002	Front Panel
<b>3</b>	1	CMP248000 L	Side Panel L
<b>4</b>	1	CMP248000 R	Side Panel R
<b>5</b>	1	CMP248009	Meter Adj.Disc
<b>6</b>	1	CMP248015 L	Hitch Frame L
<b>7</b>	1	CMP248015 R	Hitch Frame R
<b>8</b>	1	CMP248016	Hitch Crossmember
<b>9</b>	1	CMP248017	Hitch Plate
<b>10</b>	1	CMP248018	Brush Mount
<b>11</b>	1	CMP248019	Brush Holder
<b>12</b>	1	CMP248203	Front Rollerr Assy
<b>13</b>	2	CMP248023-GAL	248 Side Ext..
<b>14</b>	2	CMP248024-GAL	248 End Ext.
<b>15</b>	1	CMP248200	248 Side Ext. Brace
<b>16</b>	1	CMP248201	248 End Ext. Brace
<b>17</b>	1	CMP248037	Chain Shield R
<b>18</b>	1	CMP248205	Coupler Assy
<b>19</b>	1	CMP248206	Drawbar Assy
<b>20</b>	1	CMP248107	Belt Web
<b>21</b>	4	CMP248108	Pillow Block Bearing UCP207 1.375 Dia
<b>22</b>	2	CMP248109	Bearing Housing SBPFL 205
<b>23</b>	2	CMP248110	Bearing Housing SBPFL 204-12
<b>24</b>	1	CMP248111	Scrapr Brush
<b>25</b>	1	CMP248208	Meter Handle
<b>26</b>	1	CMP248114	Main Axel 1.375 Dia
<b>27</b>	4	CMP248115	Merer Gate UIMHW Block
<b>28</b>	2	CMP248116	Bearing Adj. Pillow Block UCT205-16
<b>29</b>	2	CMP248121	AS-504 5.00-15 Tire and Rim
<b>30</b>	1	CMP248123	60BS20H-1.375 Sprocket
<b>31</b>	1	CMP248124	Chain 40
<b>32</b>	1	CMP248125	Retractable Spring Plunger MC 8507A12
<b>33</b>	1	CMP248210	Ratchet Assy

<b>ITEM</b>	<b>QTY</b>	<b>PART NO.</b>	<b>DESCRIPTION</b>
<b>34</b>	1	CMP248211	Clutch Assy Shield
<b>35</b>	2	CMP248212	End Low Brace
<b>36</b>	1	CMP248215	Ratchet Sprocket Assy
<b>37</b>	1	CMP248216	Ratchet Idler Assy
<b>38</b>	1	CMP248217	Clurch Arm Assy
<b>39</b>	1	CMP248218	Stop Pawl Assy
<b>40</b>	1	CMP248035	Clutch Dog
<b>41</b>	1	CMP248039	Clutch Push Pawl
<b>42</b>	1	CMP248046	Engage Pawl
<b>43</b>	1	CMP248130	Clutch Paw Spring G
<b>44</b>	1	CMP248136	Gas Spring MC 4138T52
<b>45</b>	1	CMP248137	Pawl Assy Shaft
<b>46</b>	1	CMP248139	Steel Extension Spring MC 9654K242
<b>47</b>	1	CMP248140	Steel Extension Spring MC 9044K114
<b>48</b>	1	CMP248142	40 Chain Idler Sprocket
<b>49</b>	2	CMP248143	Wheel Shaft Collar
<b>50</b>	1	CMP248144	Eye Bolt
<b>51</b>	2	CMP248117	Wheel Ratchet Inner Hub
<b>52</b>	2	CMP248120	Wheel Ratchet Outer Drum
<b>53</b>	2	CMP248145	Wheel Lugs
<b>54</b>	2	CMP248118	Clutch Paw Spring
<b>55</b>	2	CMP248119	Clutch Ratchet Pow
<b>56</b>	1	CMP248219	Conveyor Base Assy
<b>57</b>	4	CMP248146	Conveyor Sub Plastic
<b>58</b>	1	CMP248147	Cam Roller MC 1470T15
<b>59</b>	1	CMP248202	Meter Gear Assy
<b>60</b>	1	CMP248148	Engage Pull Rope
<b>61</b>	1	CMP248149	Slide Jack Release Pin
<b>62</b>	1	CMP248151	Trailer Jack Spring
<b>63</b>	2	CMP248069	Jack Saddle
<b>64</b>	1	CMP248214	Trailer Jack Assy
<b>65</b>	1	CMP248157	Trailer Jack Handle
<b>66</b>	1	CMP248213	Meter Gate Assy

# ***Earth&Turf***

**CONESTOGA MANUFACTURING, LLC.**

**1867 KIRKWOOD PIKE  
KIRKWOOD, PA 17536**

**717-529-0199**