



# ModBar Installation



AA-9030  
AA-9031  
AA-9032

Go to [www.tilmor.com/resources](http://www.tilmor.com/resources) for complete parts list, additional resources and replacement part ordering.

Release Date: 03/18/2019  
Document Number: 12-70006  
Revision Number: 01

**ATTENTION**  
Review safety information before operation.

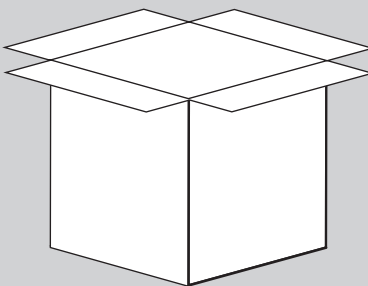
Tools	
	9/16" Socket
	5/16" Hex Key
	Torque Wrench

**Installation Time (estimated)** 20 minutes

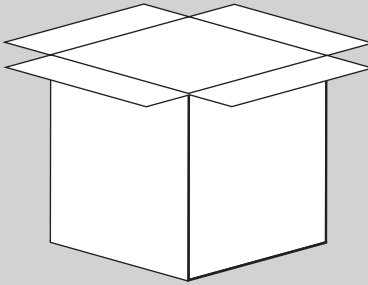
**!** To Install the Tilmor Modbar a 2" Square Tube Cross Clamp Kit # AA-9029 (sold separately) is required.

## REQUIRED PARTS


Kit # AA-9029

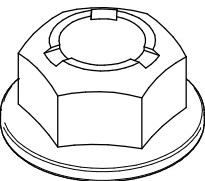


=

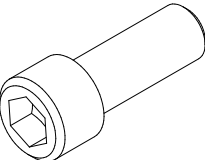


=

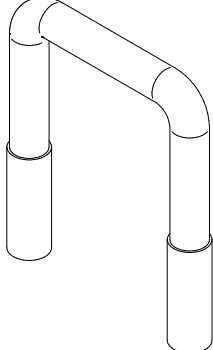




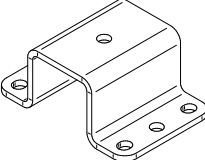
6x  
99-E0082  
3/8" Locking Flange Nut



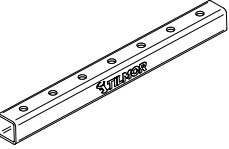
2x  
99-K0168  
3/8" Socket Head Cap Screw



2x  
99-E0082  
1/2" Hex Bolt




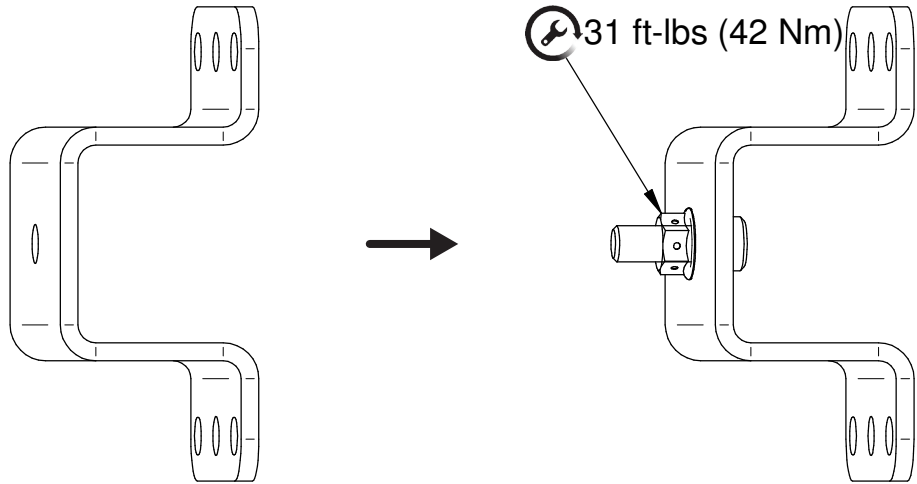
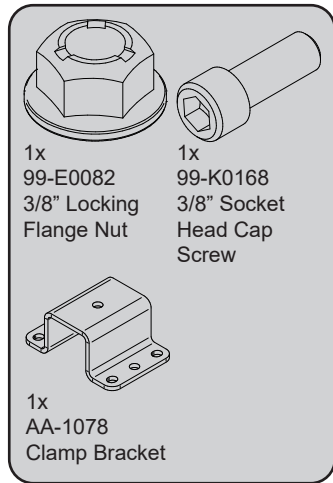
1x  
AA-1078  
Clamp Bracket



1x  
AA-1079 12"  
AA-1080 18"  
AA-1081 24"  
Modbar

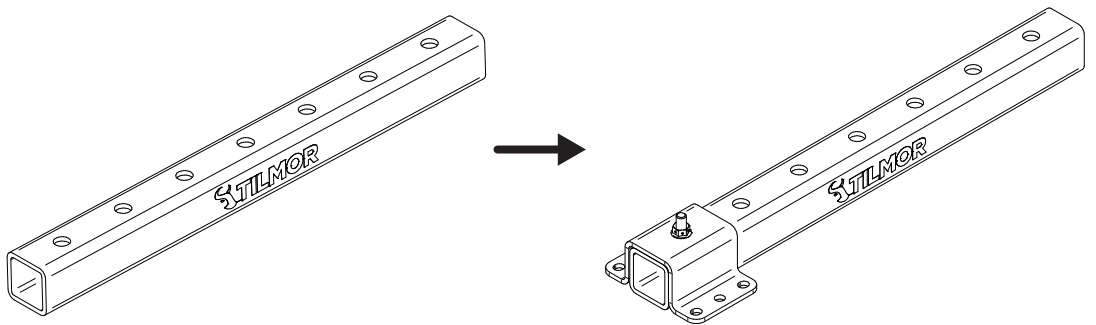
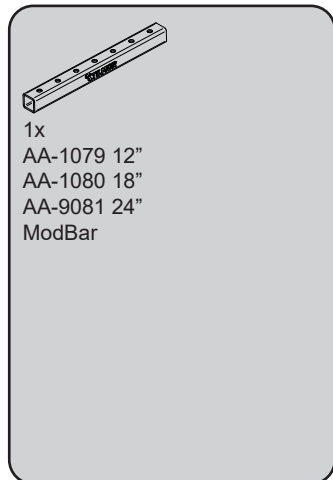
# ASSEMBLY

 5/16" Hex Key, 9/16" Socket, Torque Wrench




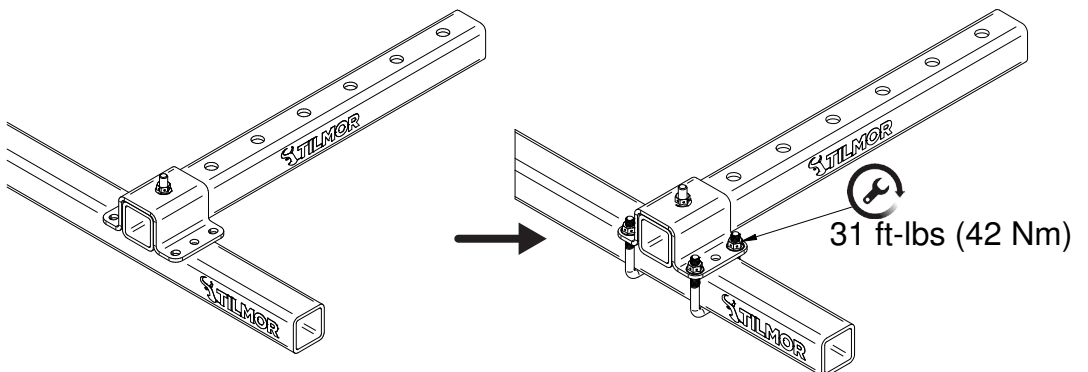
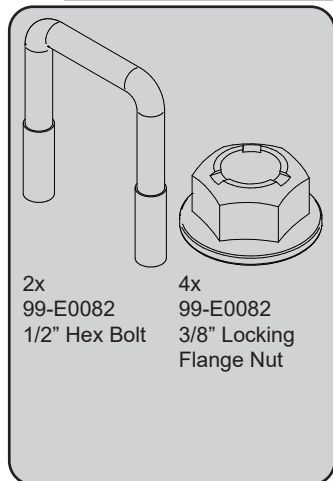
If the square clamp bracket is being used on a ModBar that does not have indexing holes do not install the socket head cap screw and locking nut.

1



2

 9/16" Socket, Torque Wrench



3