




S-Tine Mount Installation

AA-9048

Go to www.tilmor.com/resources for complete parts list, additional resources and replacement part ordering.

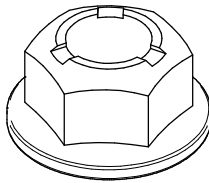
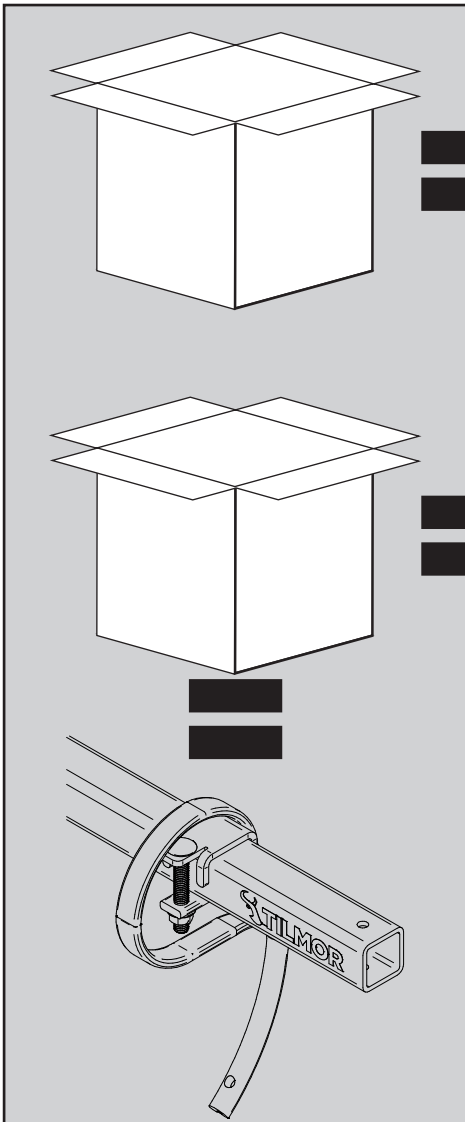
Release Date: 12/12/2018
Document Number: 12.70005
Revision Number: 00

ATTENTION
Review safety information before operation.

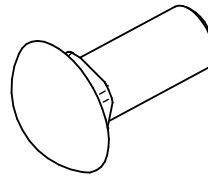
 Tools
3/4" Socket Torque Wrench

Installation Time (estimated) *10 minutes*

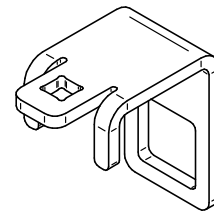
REQUIRED PARTS



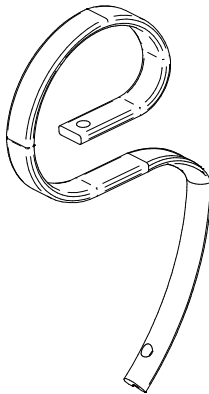
1x
99.SF08
1/2" Flange Nut



1x
97.0828
1/2" Carriage Bolt

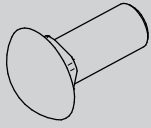


1x
AA-3009
Bracket, Flex Tine Mount

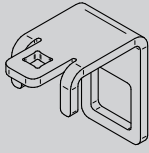


1x
AW-3078
AW-3079
S-Tine

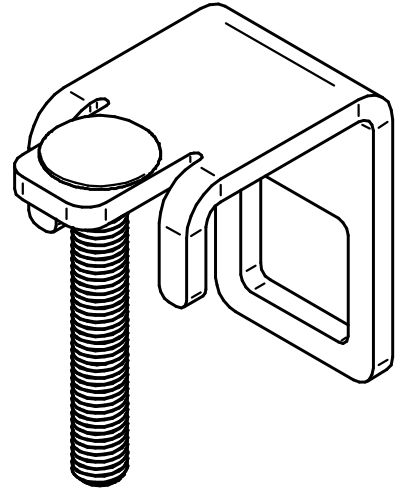
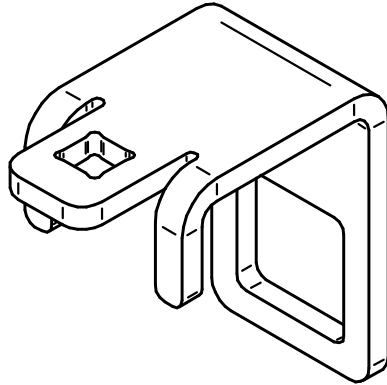
ASSEMBLY



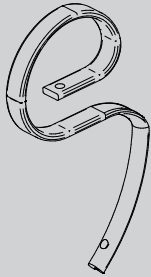
1x
97.0828
1/2" Carriage
Bolt



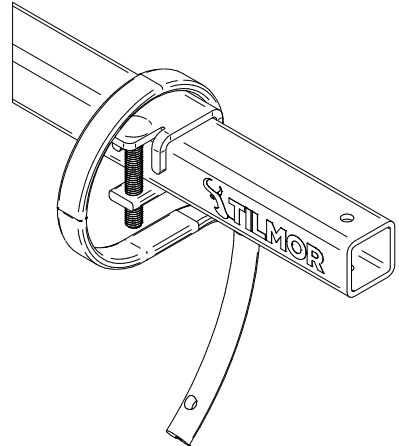
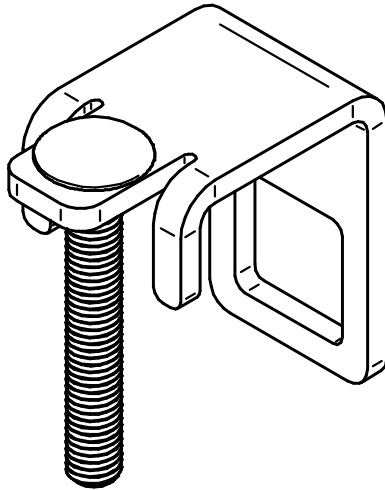
1x
AA-3009
Bracket, Flex
Tine Mount



1



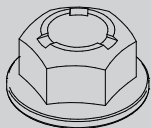
1x
AW-3078
AW-3079
S-Tine



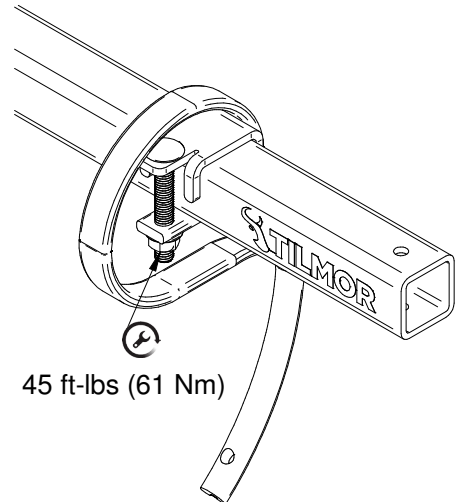
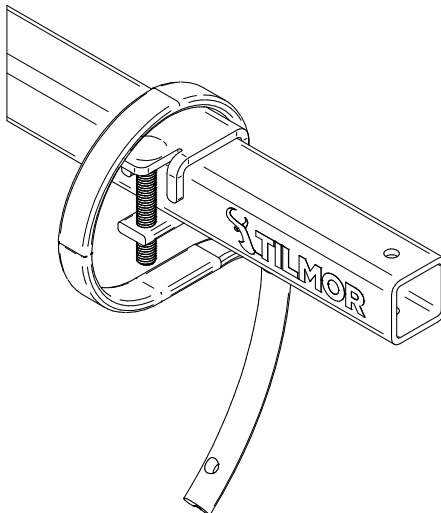
2



3/4" Socket, Torque Wrench



1x
99.SF08
1/2" Flange
Nut



45 ft-lbs (61 Nm)

3