





2"-2" Height Adjust Clamp Assembly AA-9059

Go to www.tilmor.com/resources for complete parts list, additional resources and replacement part ordering.

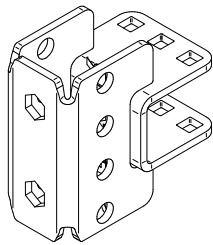
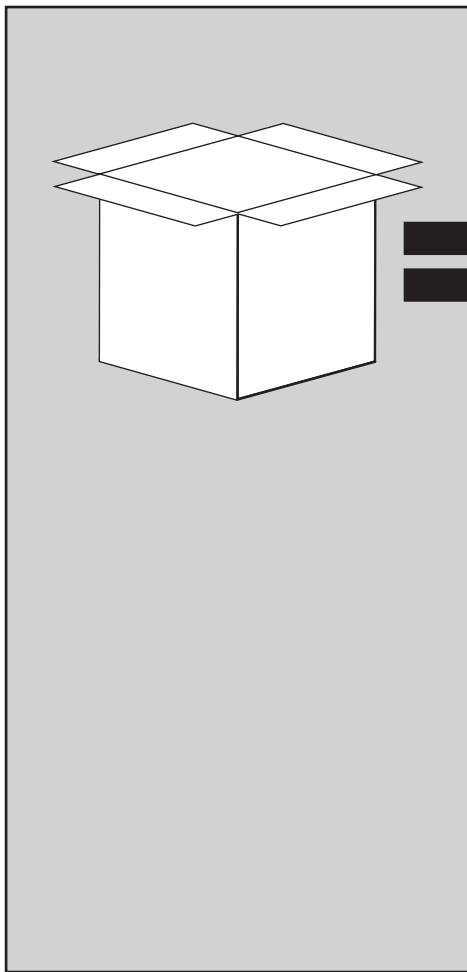
Release Date: 02/22/2019
Document Number: 12-70013
Revision Number: 01

 **ATTENTION**
Review safety information before operation.

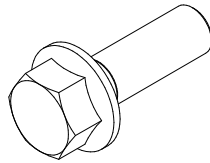
 Tools
3/4" Wrench 3/4" Socket Torque Wrench

Installation Time (estimated) 20 minutes

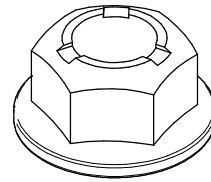
REQUIRED PARTS



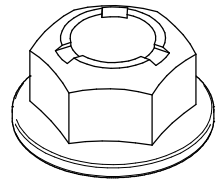
1x
AA-6041
Height Adjust
Clamp Bracket



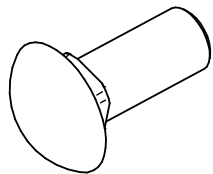
2x
91-0812
1/2" Flange Bolt



2x
99-SF08NF
1/2" Flange Nut



2x
99-E0103
1/2" Flange Nut



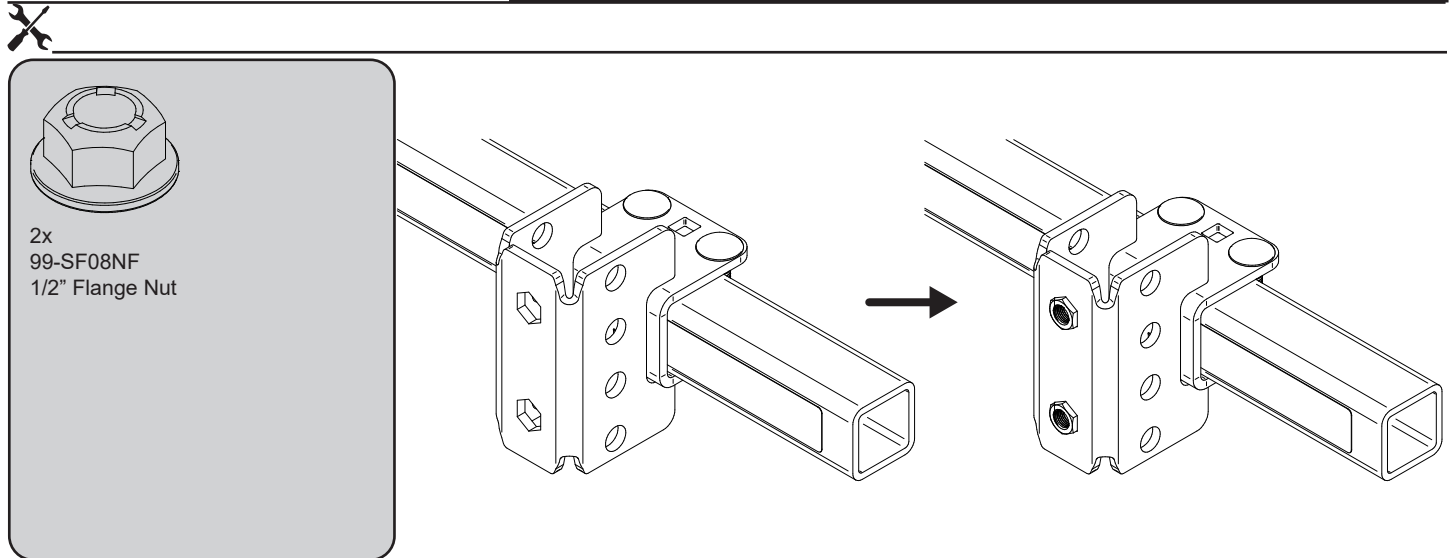
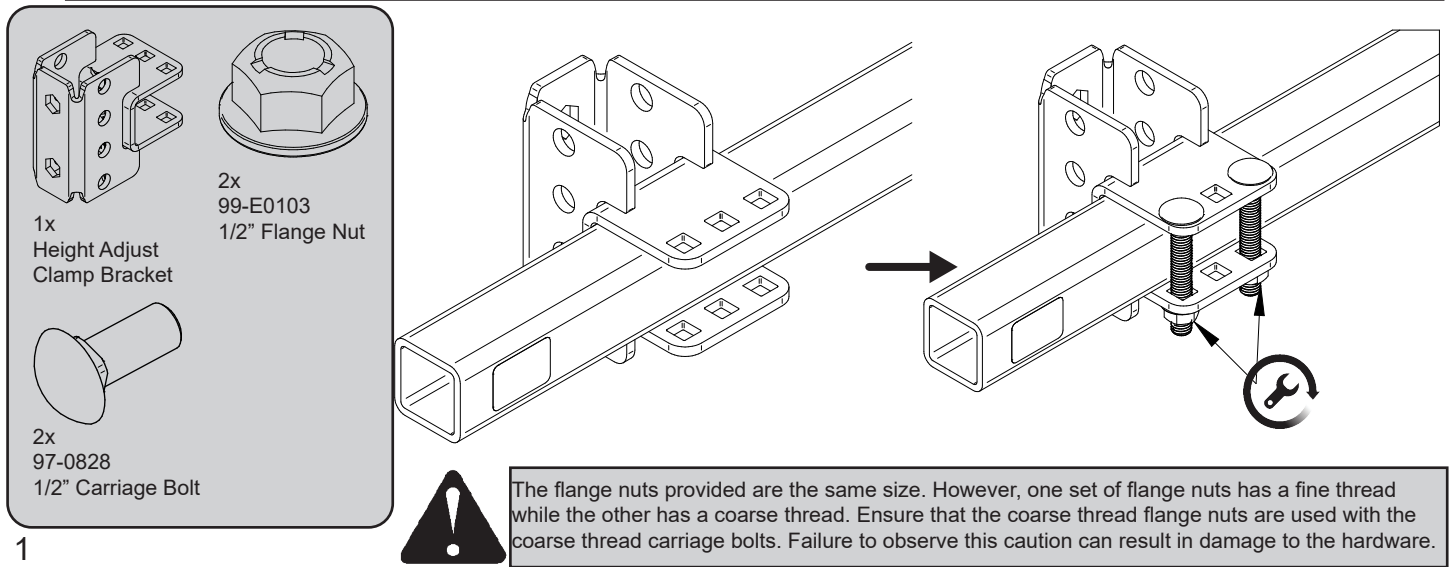
2x
97-0828
1/2" Carriage
Bolt




The flange nuts provided are the same size. However, one set of flange nuts has a fine thread while the other has a coarse thread. Ensure that the coarse thread flange nuts are used with the coarse thread carriage bolts. Failure to observe this caution can result in damage to the hardware.

ASSEMBLY

 3/4" Wrench, 3/4" Socket, Torque Wrench



 3/4" Wrench, 3/4" Socket, Torque Wrench

