





1-1/2" Flat Shank Clamp Flat Bar AA-9061

Go to www.tilmor.com/resources for complete parts list, additional resources and replacement part ordering.

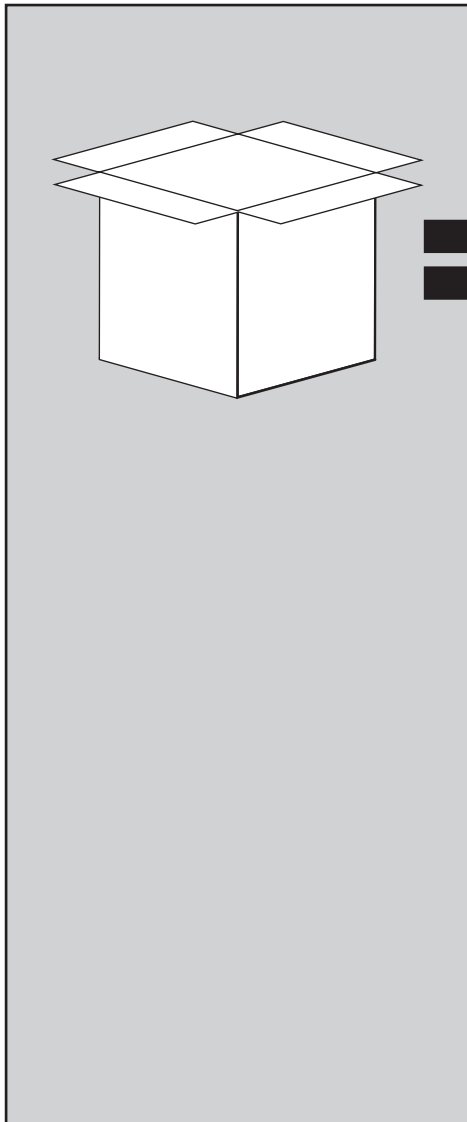
Release Date: 02/07/2019
Document Number: 12-70015
Revision Number: 00

 **ATTENTION**
Review safety information before operation.

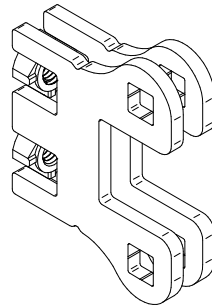
 Tools
3/4" Wrench 3/4" Socket Torque Wrench

Installation Time (estimated) 15 minutes

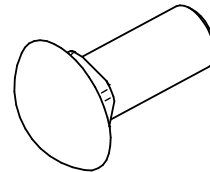
REQUIRED PARTS



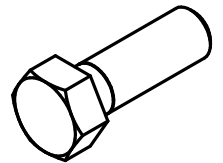
1x
AA-1169
Plate, Flat Bar
Clamp



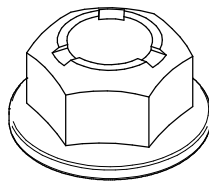
1x
AA-6047
Bracket, Flat
Shank Clamp



2x
97-0812
Carriage Bolt

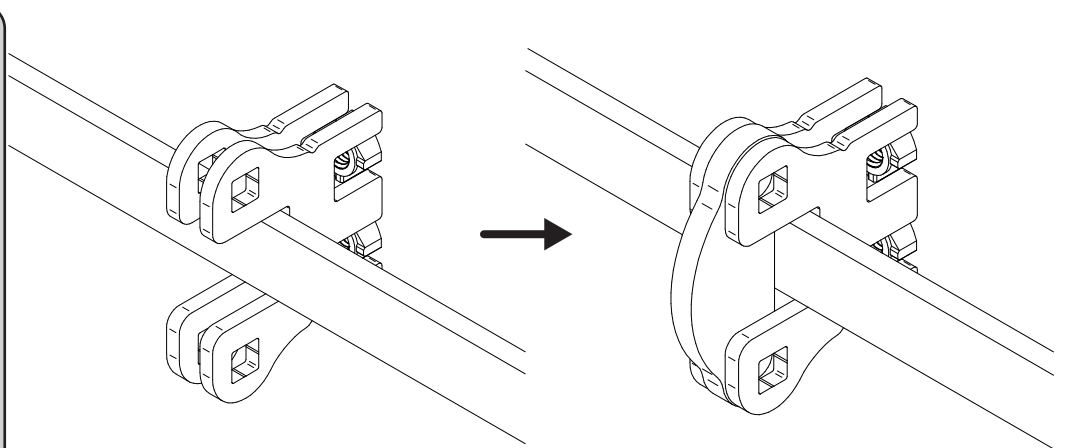
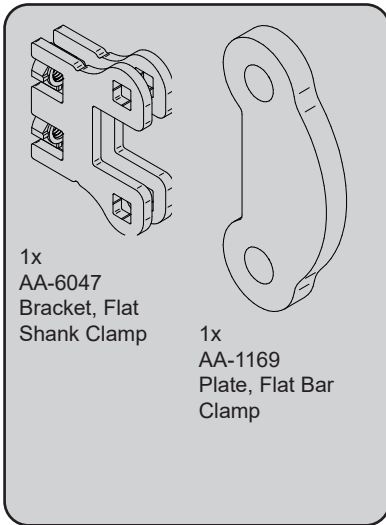


2x
90-0808
1/2" Bolt



2x
99-E0103
1/2" Flange
Nut

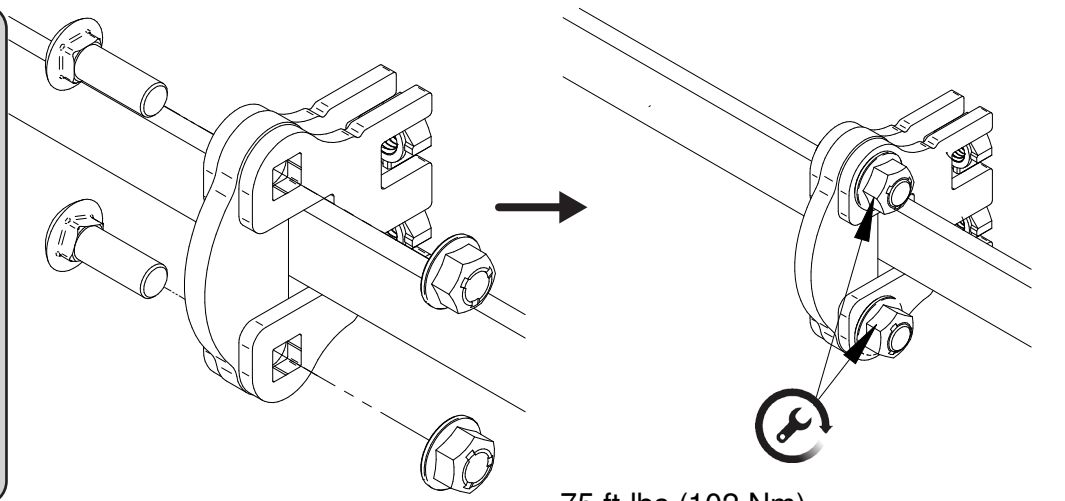
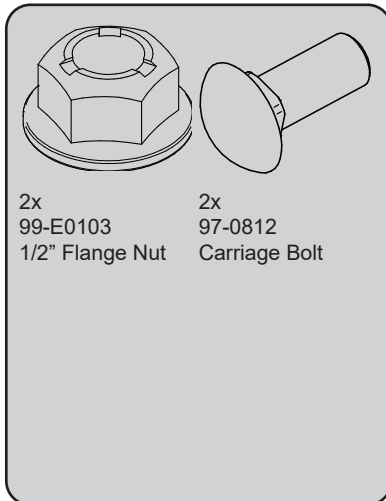
ASSEMBLY



1



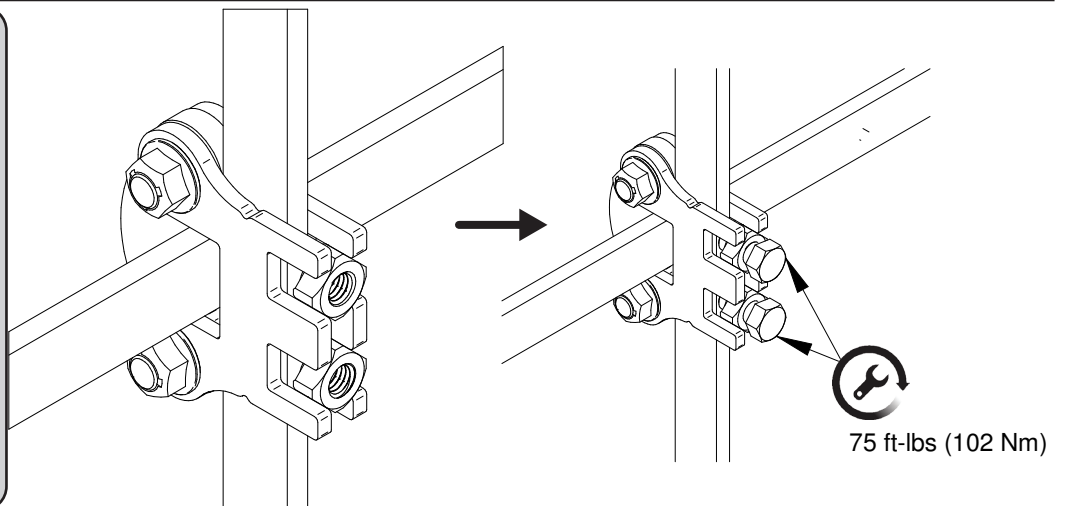
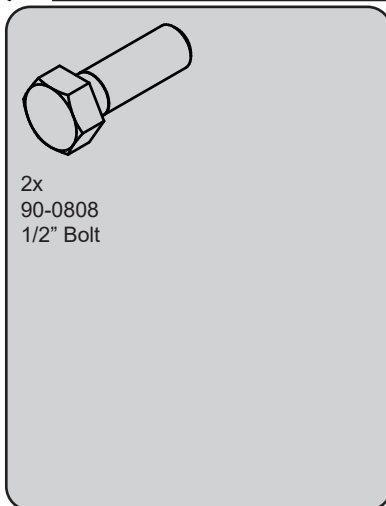
3/4" Wrench, 3/4" Socket, Torque Wrench



2



3/4" Wrench, 3/4" Socket, Torque Wrench



3