




# 1-1/2" Tube Round Shank Clamp AA-9062

Go to [www.tilmor.com/resources](http://www.tilmor.com/resources) for complete parts list, additional resources and replacement part ordering.

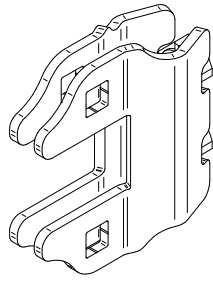
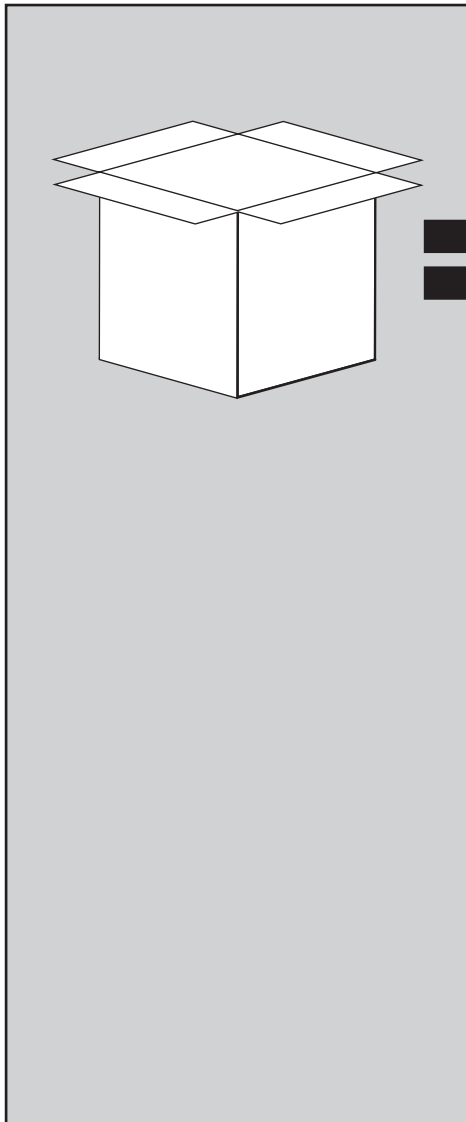
Release Date: 02/07/2019  
Document Number: 12-70016  
Revision Number: 00

**ATTENTION**  
Review safety information before operation.

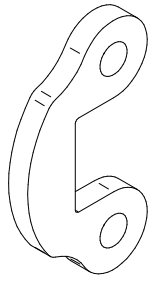
Tools	
	3/4" Wrench
	3/4" Socket
	Torque Wrench

**Installation Time (estimated)** 15 minutes

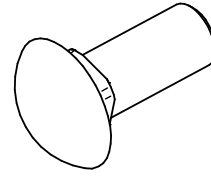
## REQUIRED PARTS



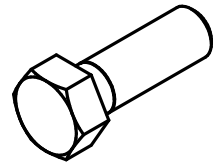
1x  
AA-6044  
Bracket,  
1-1/2" Tube  
Round Shank  
Clamp



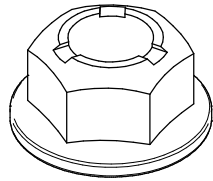
1x  
AA-1127  
Plate, Flat  
Shank Clamp



2x  
97-0812  
Carriage Bolt

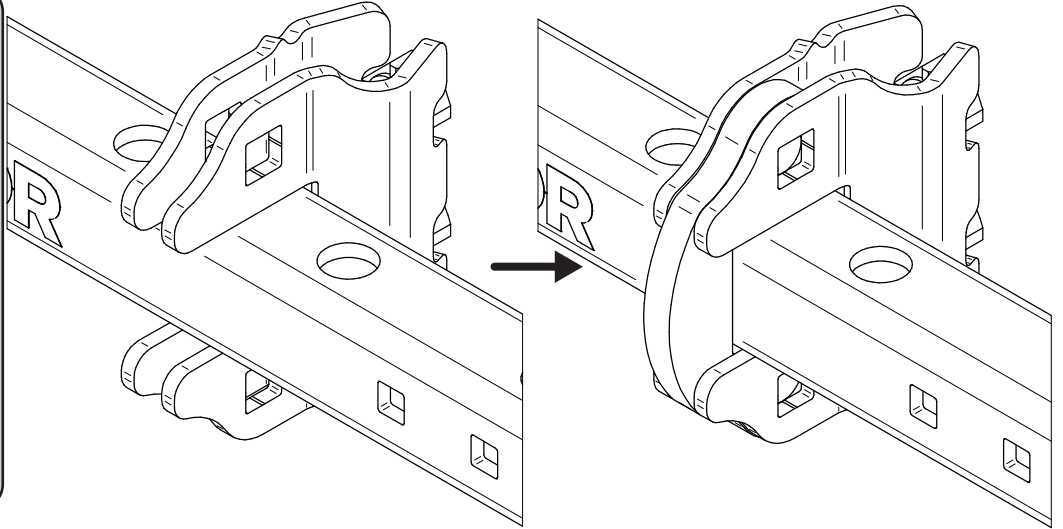
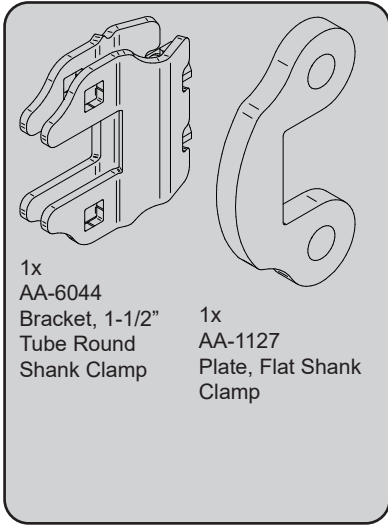


2x  
90-0810  
1/2" Bolt



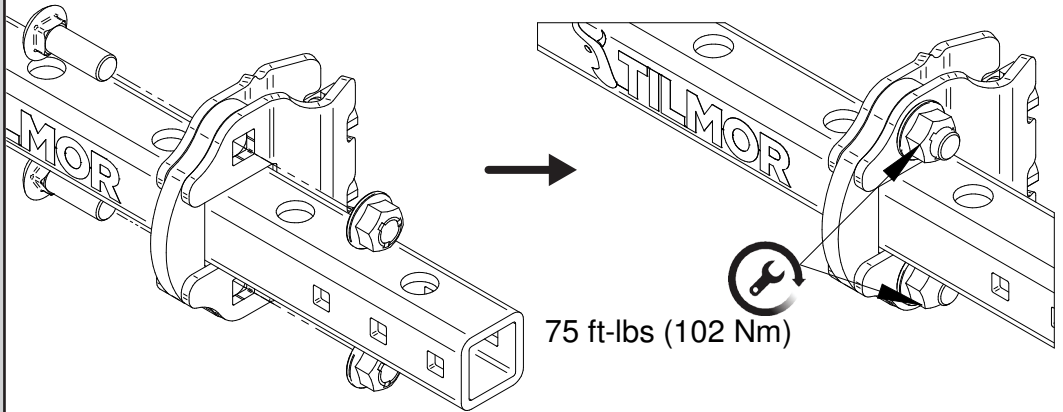
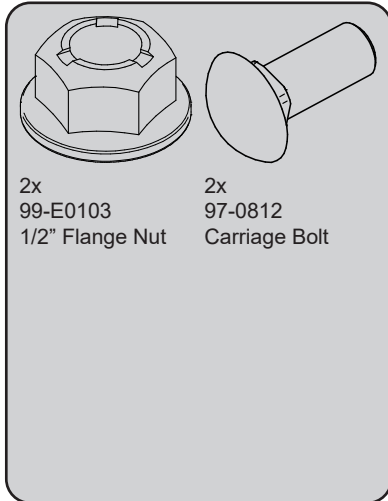
2x  
99-E0103  
1/2" Flange  
Nut

# ASSEMBLY



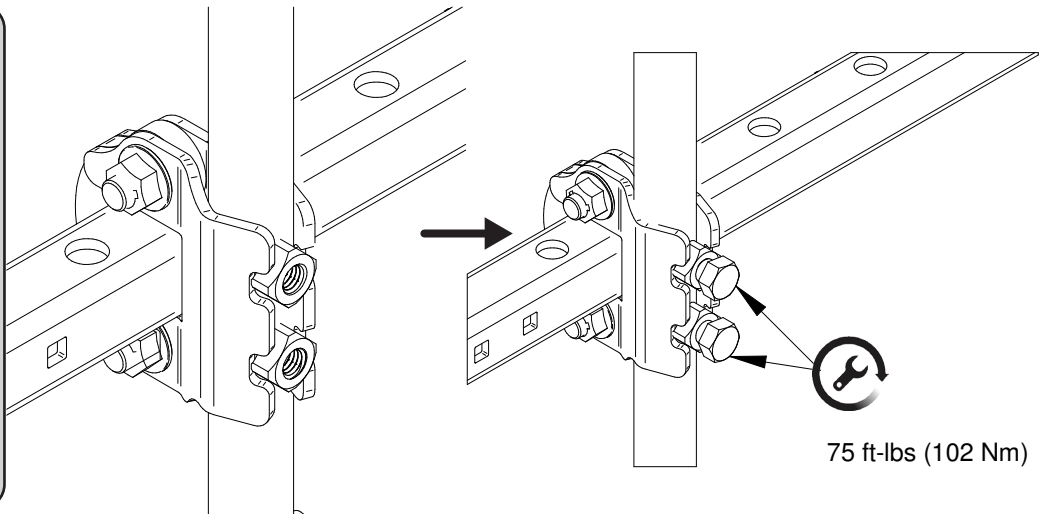
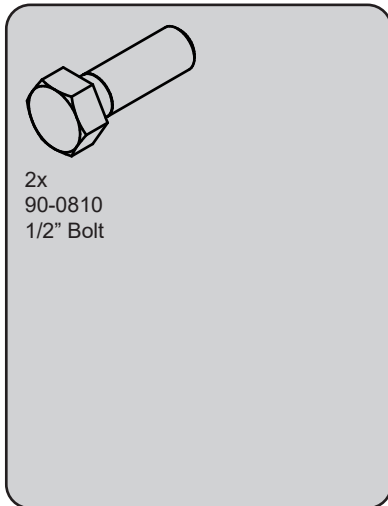
1

 3/4" Wrench, 3/4" Socket, Torque Wrench



2

 3/4" Wrench, 3/4" Socket, Torque Wrench



3