







Tilmor Toolbar


KIT-1027, 64 inch
KIT-1025, 76 inch

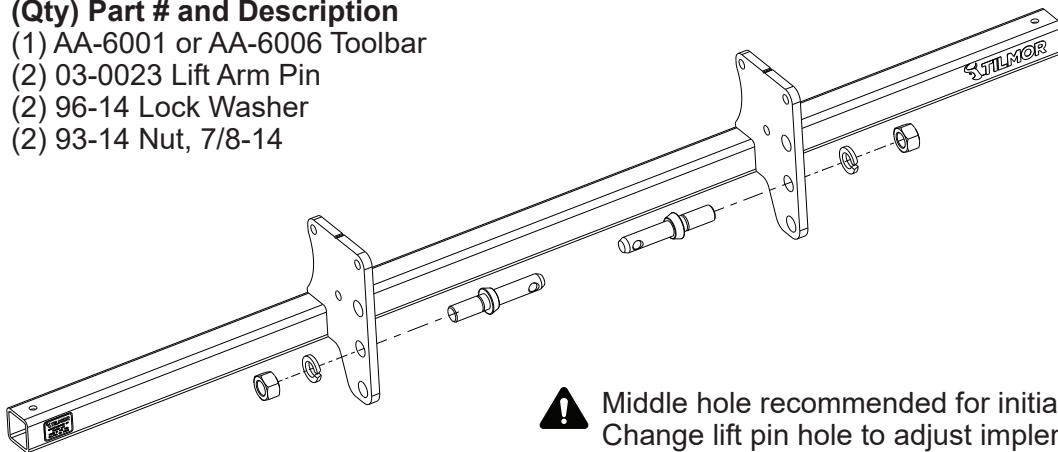
(844) 255-5864 info@tilmor.com www.tilmor.com
MADE IN THE USA


Release Date 8/12/2024


 REQUIRED PARTS	 ASSEMBLY TIME	 TOOLS
49-4106 or 49-4107 AA-9028	30 minutes (estimated)	<i>1-5/16" wrench 9/16" hex key</i> <i>3/4" wrench 15/16" wrench</i> <i>3/4" socket 15/16" socket</i> <i>9/16" socket Pipe Wrench</i>


1  1-5/16" wrench Pipe wrench

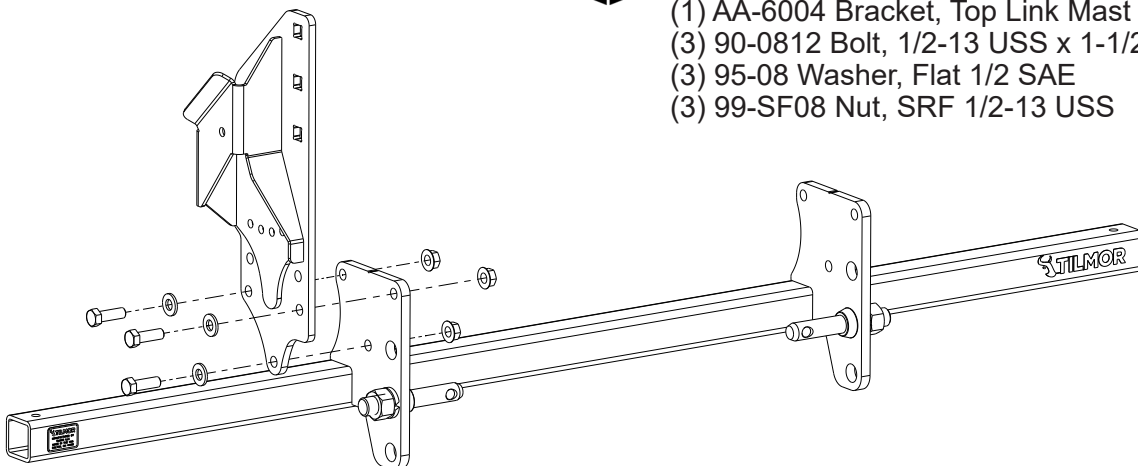
-  **49-4106 or 49-4107**
(Qty) Part # and Description
- (1) AA-6001 or AA-6006 Toolbar
 - (2) 03-0023 Lift Arm Pin
 - (2) 96-14 Lock Washer
 - (2) 93-14 Nut, 7/8-14



 Middle hole recommended for initial installation. Change lift pin hole to adjust implement height on tractor.

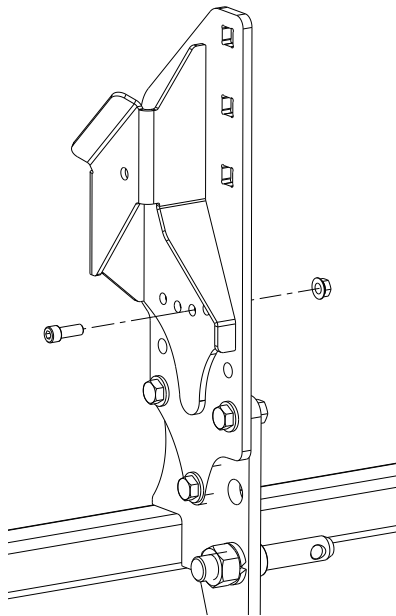
2  3/4" wrench and 3/4" socket

-  **AA-9028**
(Qty) Part # and Description
- (1) AA-6004 Bracket, Top Link Mast
 - (3) 90-0812 Bolt, 1/2-13 USS x 1-1/2
 - (3) 95-08 Washer, Flat 1/2 SAE
 - (3) 99-SF08 Nut, SRF 1/2-13 USS



continued on back...

3



9/16" socket and 9/16" hex key

- (1) 99-K0151 Bolt, SHCS 3/8-16 x 1
- (1) 99-SF06 Nut, SRF 3/8-16 USS

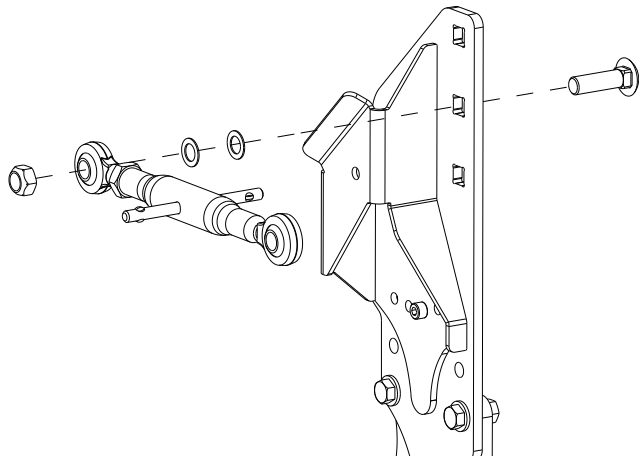


Hole 3 recommended for initial installation. The position of the socket head cap screw (SHCS) determines the balance of the toolbar when using the Tilmor 520 implement hoist system. Change holes as needed for proper balance once tools are installed on the toolbar.



YouTube video explaining SHCS placement

4

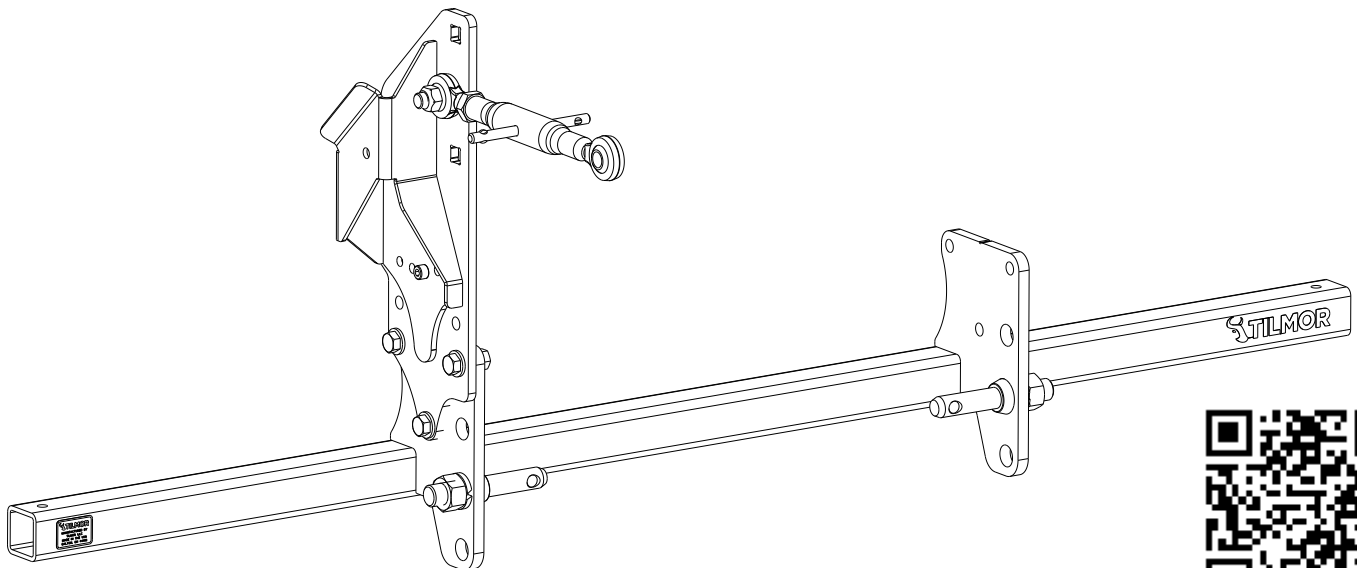


15/16" wrench and 15/16" socket

- (1) 47-0222 Top Link, Cat. #0, Adjustable
- (1) 97-1018 Bolt, Carriage 5/8-11 x 2-1/4 GR5
- (1) 99-A10 Locknut, Stover 5/8-11 USS
- (2) 99-B055 Washer, Mach 5/8 x 1 x 18Ga



Middle hole recommended for initial installation and **should match lift pin configuration (step 1)**.

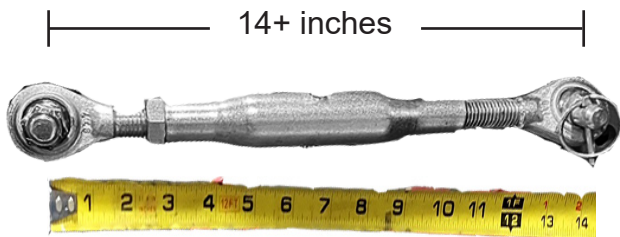




Tilmor Toolbar Installation on 520 lift arms

NOTE: During operation, the bottom edge of the toolbar should run parallel to the ground. This angle can be adjusted by extending or retracting the adjustable top link.

Installation on REAR lift arms



! ATTENTION! The adjustable top link must be extended to 14+ inches for proper operation on the REAR of the tractor. If the top link is installed on the REAR toolbar at a length less than 14 inches, the toolbar may over-rotate and bind/break.

