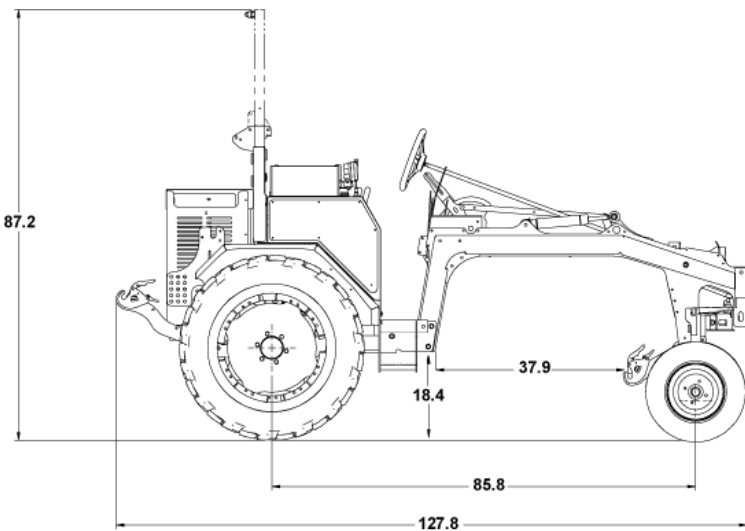
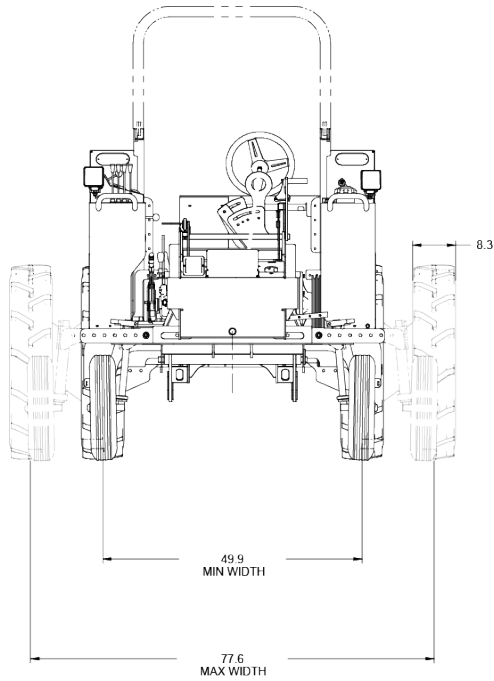




TILMOR 520Y TRACTOR



SPECS

Engine	Kubota Liquid-Cooled Diesel
Horsepower	22hp
Ground Clearance	18 in 45.7 cm
Brakes	Hydraulic Disc Brakes
Wheel Adjustments	50-78 in 127-198 cm (center-to-center)
Ground Speed	1-46 mph 0.5-21 kph
Tractor Weight	2700 lbs 1225 kg
Drive System	8-speed with Reverse





SAFETY FEATURES

- Standard fold down roll bar and seat belt
- Operator Safety Interlock System
- Shield and guards to cover critical heat and safety areas

CONVENIENCE

- Implement depth control for accuracy and easy depth setting
- Conveniently located 2" receiver tubes for easily modifying and customizing your tractor
- Operator's toolbox with USB port for charging your devices
- Mount the tractor from either side
- Implement hoist
- Ergonomic design



STANDARD FEATURES

- Front Toolbox
- Hydraulic lift/operation of mid and rear implements
- Front and Rear Wheel adjustments from 50" on center to 78" on center in 2" increments (per side)
- Synchronized manual transmission
- Automotive-style disk brakes on rear wheels. Separate brake pedals for sharp right or left turns.
- Automotive-style sealed electrical system
- 12V, 550CCA Battery





PREMIUM FEATURES

1	Implement Hoist Kit	Lift and Install implements onto front 3-pt. hitch of Tilmor tractor with ease. Includes pivot attachment for tractor. Load limit 450 lbs.
2	Tuff Top Canopy	Fold down canopy that bolts on ROPS.
3	Road Package	Includes amber and red marker/turn signal lights, two front head lights, horn, and slow moving vehicle (SMV) sign.
4	Suspension Seat	More support over bumps and uneven terrain.
5	Work Lights	Includes four LED 4" x 4" wide flood lights. Two forward and two rear facing lights located on the tractor fender.
6	Cultivation Lights	Includes two 13" long LED lights mounted flush on each side of the front frame providing optimum working light for belly mounted implements.
7	Front Receiver Hitch	Bolt on kit for a front mount receiver hitch for 2" x 2" square tubing.
8	Auxiliary Hydraulics	Add front and rear auxiliary hydraulic couplers to the tractor. Includes standard, female, 1/4" Quick-Connect couplers.
9	Aux Power - Front, Rear	Add a 4-pin, 40 amp, auxiliary electric outlet to the front/rear of the tractor