



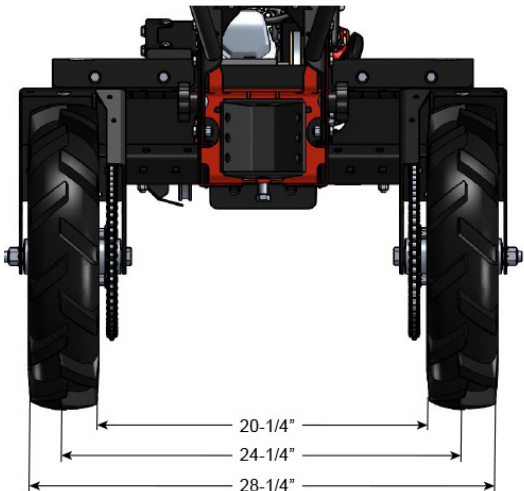
# TILMOR POWER OX 240



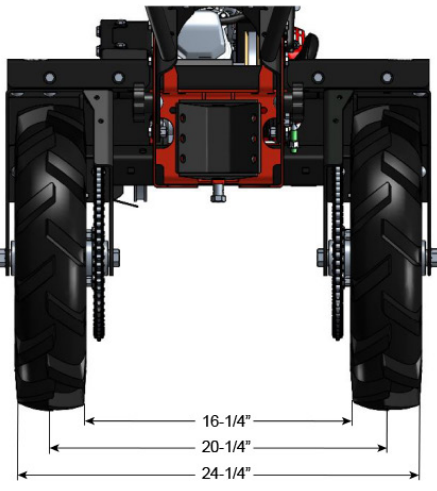
## SPECS

Engine	Honda GX120
Ground Clearance	13.5 in   34 cm
Wheel Adjustments	16-24 in   40-60 cm
Tires	4 in Wide Bar Tires
Implements	Quick Hitch Pin Tool Change

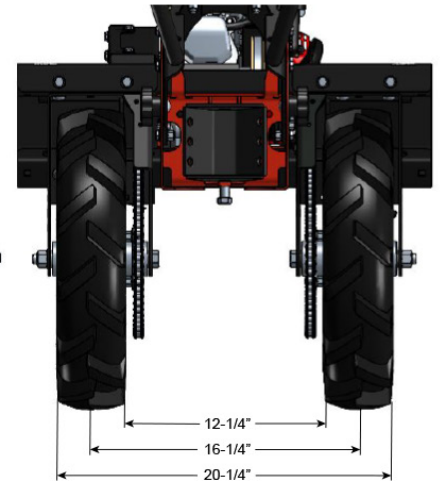
Wide Tire Width



Mid Tire Width



Narrow Tire Width





## SPOTLIGHT FEATURES

---

- Variable ground speed from crawl to fast walk
- Quick-adjust handles for optimal operating height for any operator
- Balanced for optimal maneuverability
- Independent wheel rotation for easy turning
- Quick change of implements with no tools

## STANDARD OPTIONS

---

- Implement depth control for accuracy and easy depth setting
- Conveniently located 2" receiver tubes for easily modifying and customizing your tractor
- Operator's toolbox with USB port for charging your devices
- Mount the tractor from either side
- Implement hoist
- Ergonomic design



## STANDARD OPTIONS

---

- Front Toolbox
- Hydraulic lift/operation of mid and rear implements
- Front and Rear Wheel adjustments from 50" on center to 78" on center in 2" increments (per side)
- Synchronized manual transmission
- Automotive-style disk brakes on rear wheels. Separate brake pedals for sharp right or left turns.
- Automotive-style sealed electrical system
- 12V, 550CCA Battery