



 **TILMOR**

# ELECTRIC WHEEL HOE



## VERSATILE

Cultivate, hoe, hill, mow, haul and more - all with a pull of a pin.



## 70 MIN. RUNTIME

Work faster for longer with dual rechargeable batteries.



## REDUCE HAND HOEING

Hand weeding and push wheel hoeing strain muscles. Feel good after a day of weeding!

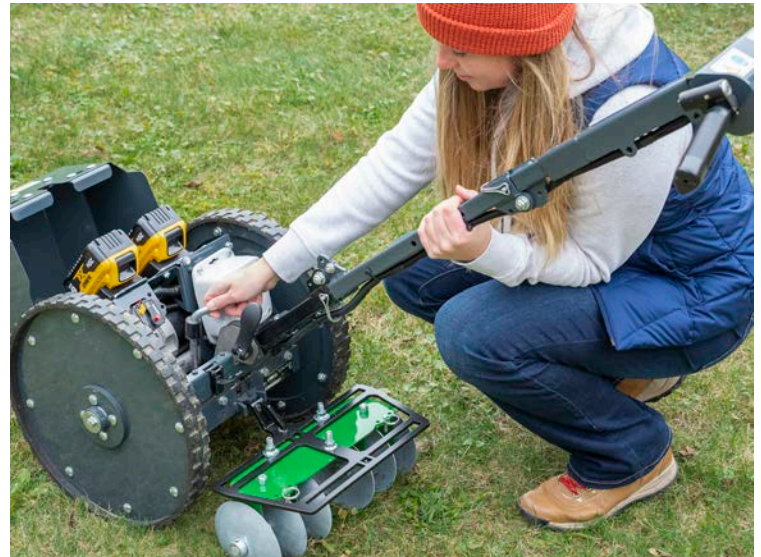


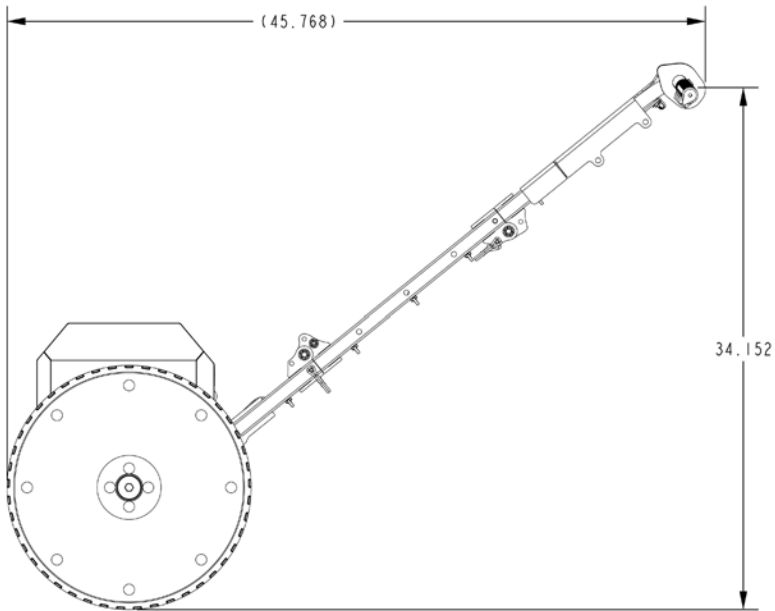
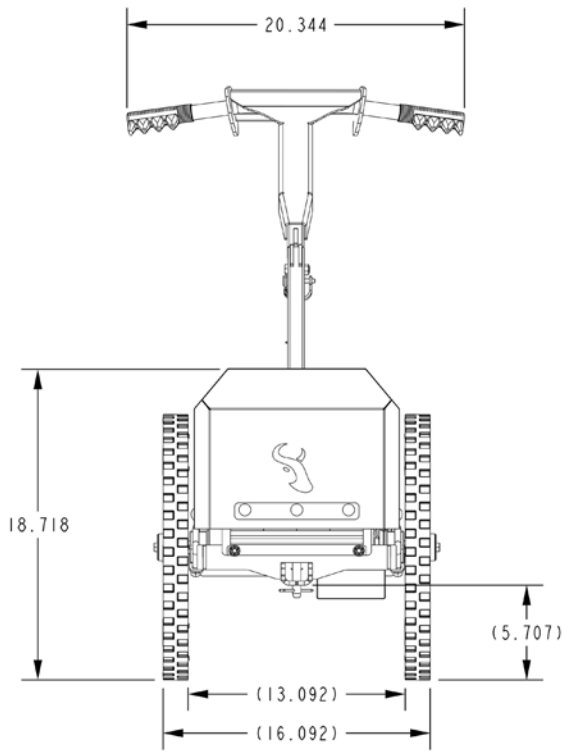
## KEY FEATURES

- Turn on and toggle through 5 speeds
- Balanced for optimal maneuverability
- Switch tools with a pull of a pin
- Change from cultivation to hilling to hoeing in seconds
- Adjustable Handles for different operator heights
- Fold handle bars for easy storage and transport
- Batteries not included but available for purchase
- Made in the USA

## BATTERIES & RUNTIME

- Up to 70min of Runtime (depending on tools and soil conditions)
- Compatible with DeWalt and Milwaukee Batteries
- Uses two 18 or 20 Volt 5.0Ah Batteries
- E-Ox is a 36 Volt System
- Battery Status Indicator





## TOP SPECS

Motor	Industrial Grade Electric Motor 2000 Hour Operation Cycle
Overload Protection	25 Amp Circuit Breaker
Battery Protection	Controller prevents over-discharge
Ground Clearance	6in   15cm
5 Speed Settings	Up To 3.6mph   5.8kph
Weight	90lb   41kg



The Tilmor E-Ox combines the simple, functionality of a wheel hoe with the ease and power of a walk behind tractor. This is a great solution for a small scale farmer that does not need the capabilities of a Power Ox 240, and is perfect for use in hoop houses where exhaust fumes can be a problem. With the E-Ox standard toolbar you can change tools in seconds. You can easily go from tine weeding to discing to using cultivation sweeps. Designed to complement a primary tillage tool, the E-Ox is equipped to make home and market gardening easier!