


Go to [www.tilmor.com/resources](http://www.tilmor.com/resources) for complete parts list, additional resources and replacement part ordering.

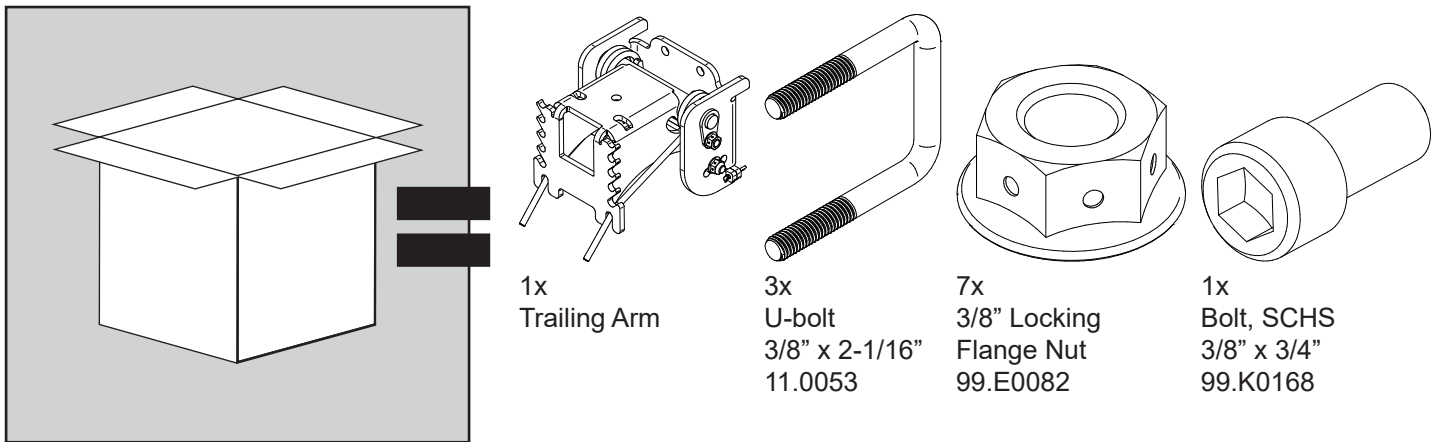
Release Date: 03/13/2019  
Document Number: 12.70017  
Revision Number: 00

**ATTENTION**  
Review safety information before operation.

Tools	
	9/16" Wrench
	9/16" Socket
	Torque Wrench
	5/16" Hex Key

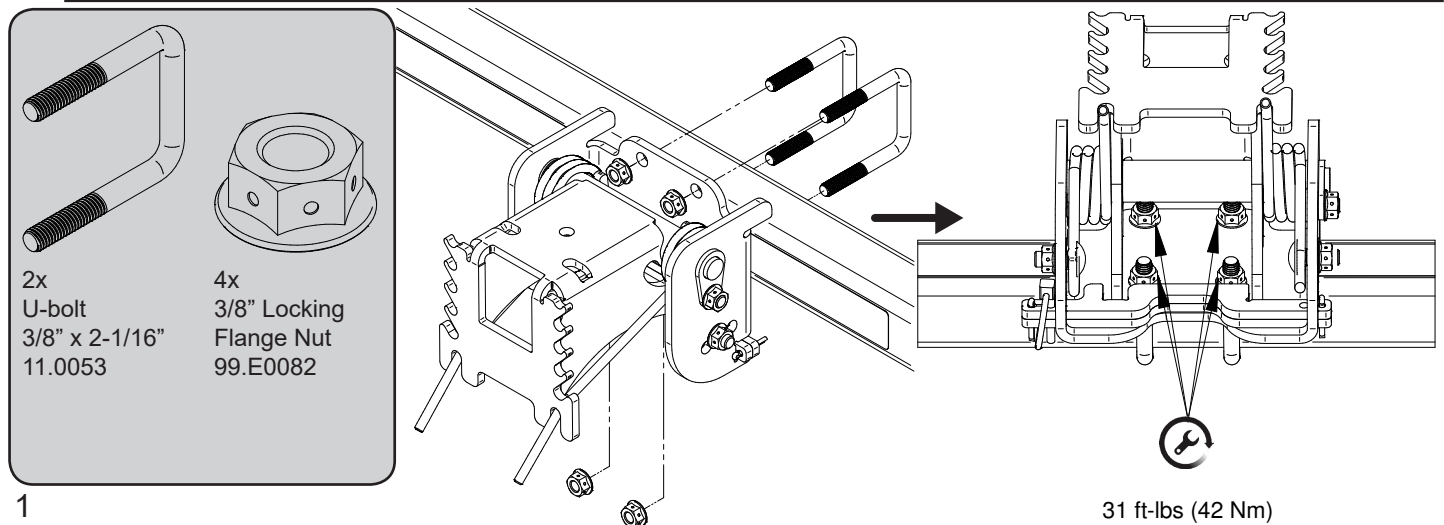
**Installation Time (estimated)** 20 minutes

## REQUIRED PARTS




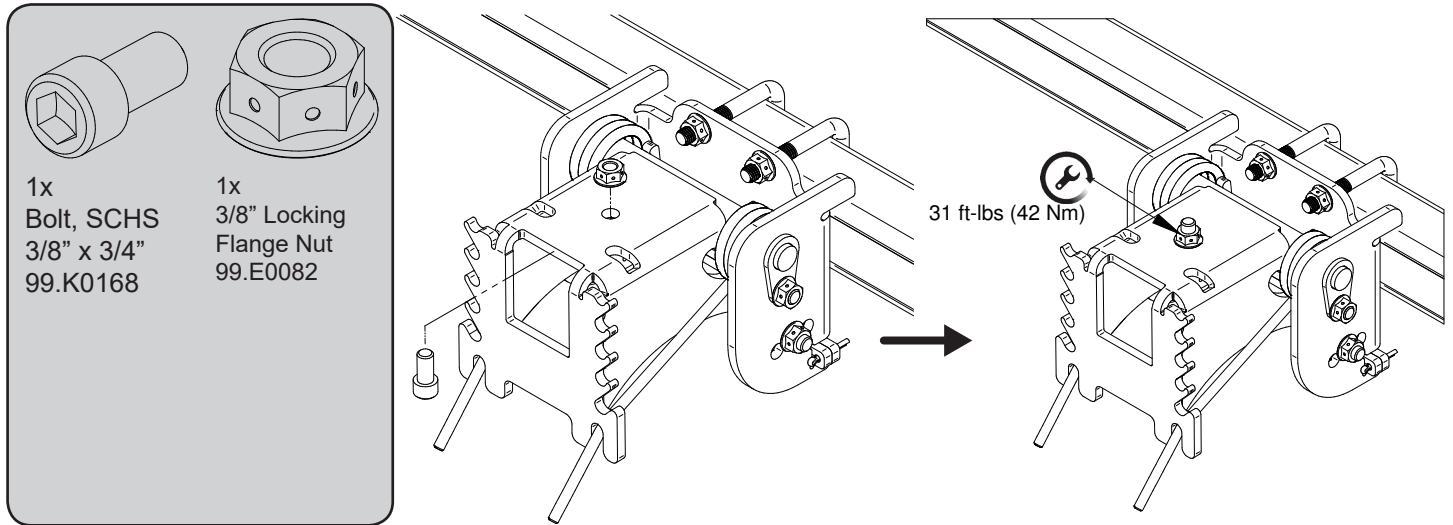
## ASSEMBLY

 9/16" Wrench, 9/16" Socket, Torque Wrench




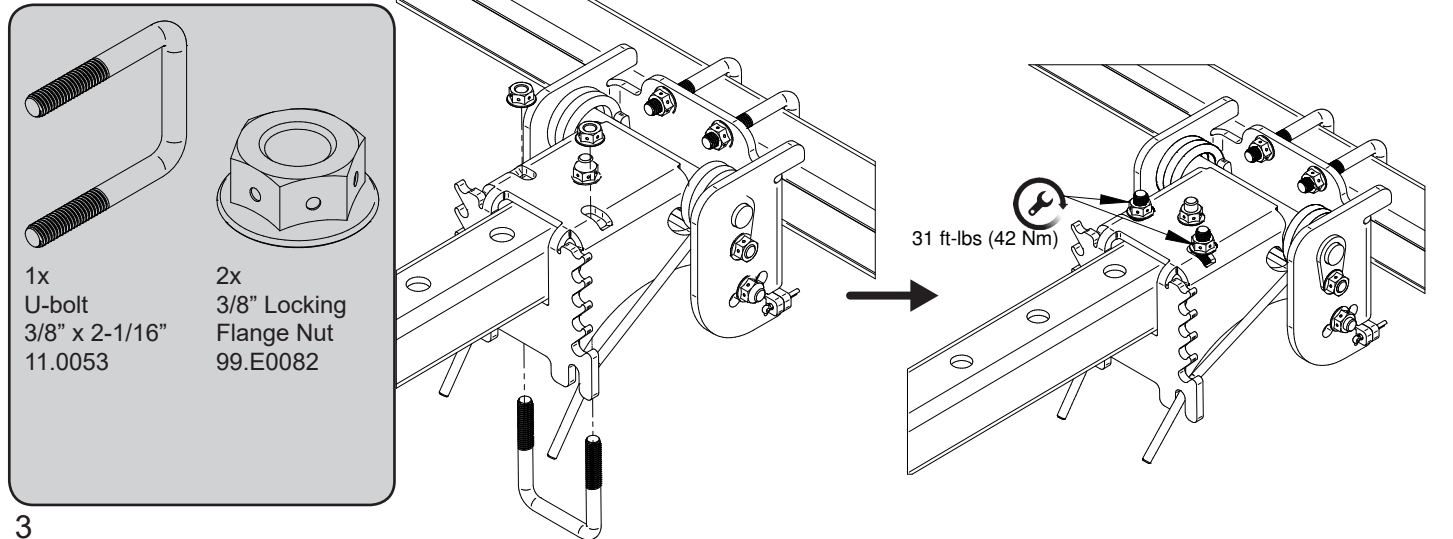
# ASSEMBLY

 9/16" Wrench, 9/16" Socket, Torque Wrench



2

 9/16" Wrench, 9/16" Socket, Torque Wrench



3

# TRANSPORT POSITION

