




1 1/2" Flat Shank Clamp Assembly AA-9055

Go to www.tilmor.com/resources for complete parts list, additional resources and replacement part ordering.

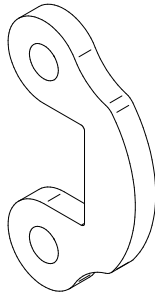
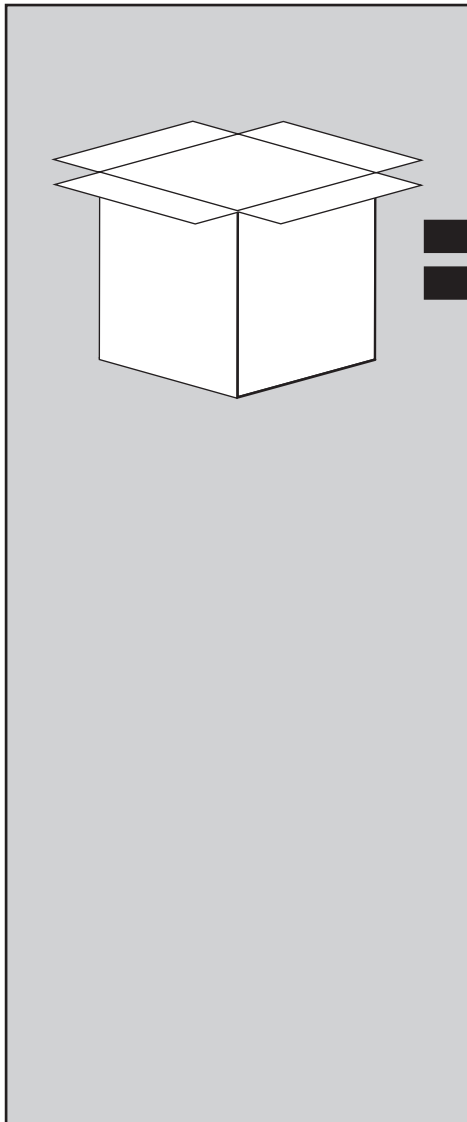
Release Date: 02/21/2019
Document Number: 12.70011
Revision Number: 00

ATTENTION
Review safety information before operation.

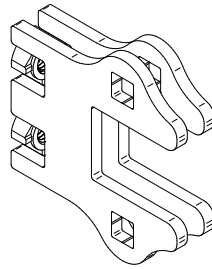
Tools	
	3/4" Wrench
	3/4" Socket
	Torque Wrench

Installation Time (estimated) 15 minutes

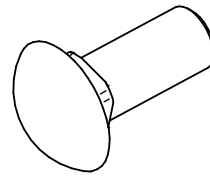
REQUIRED PARTS



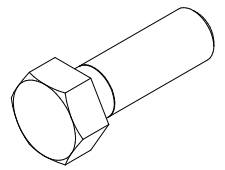
1x
AA-1127
Plate, Flat
Shank Clamp



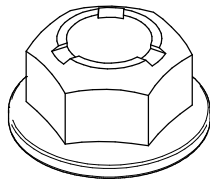
1x
AA-6038
Bracket, Flat
Shank Clamp



2x
97.0812
1/2" Carriage
Bolt

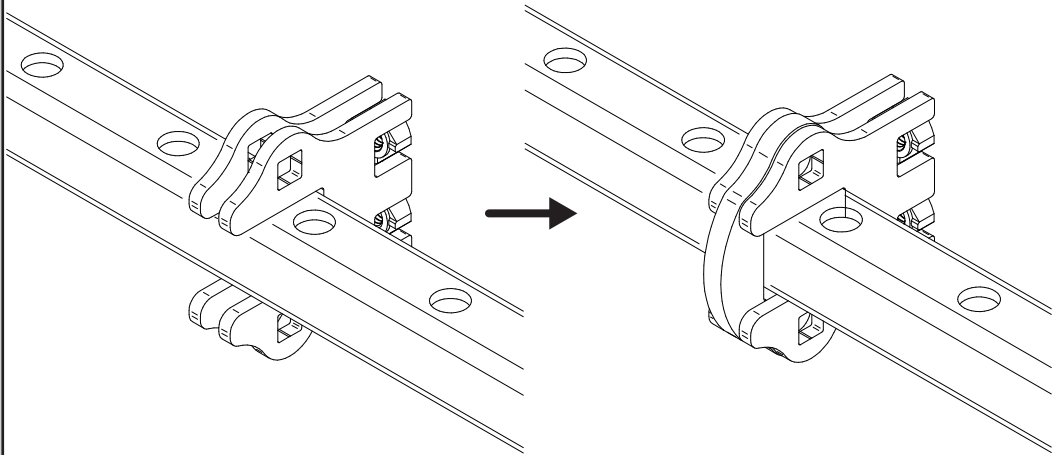
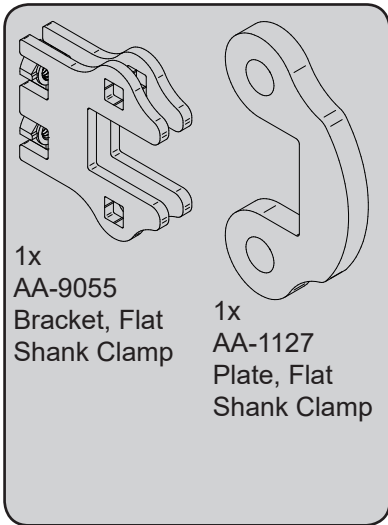


2x
90.0808
1/2" Bolt



2x
99.E0103
1/2" Flange
Nut

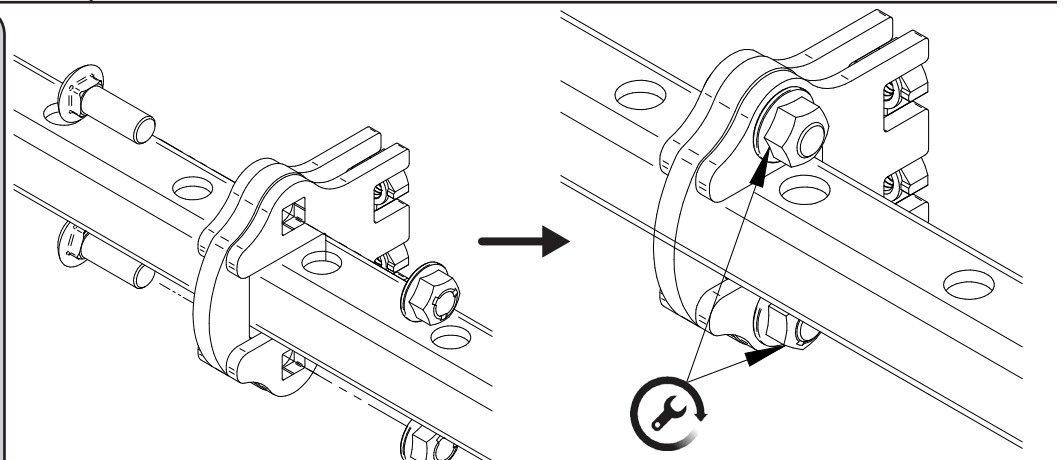
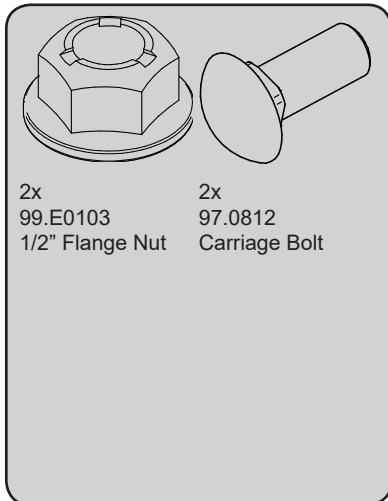
ASSEMBLY



1



3/4" Wrench, 3/4" Socket, Torque Wrench

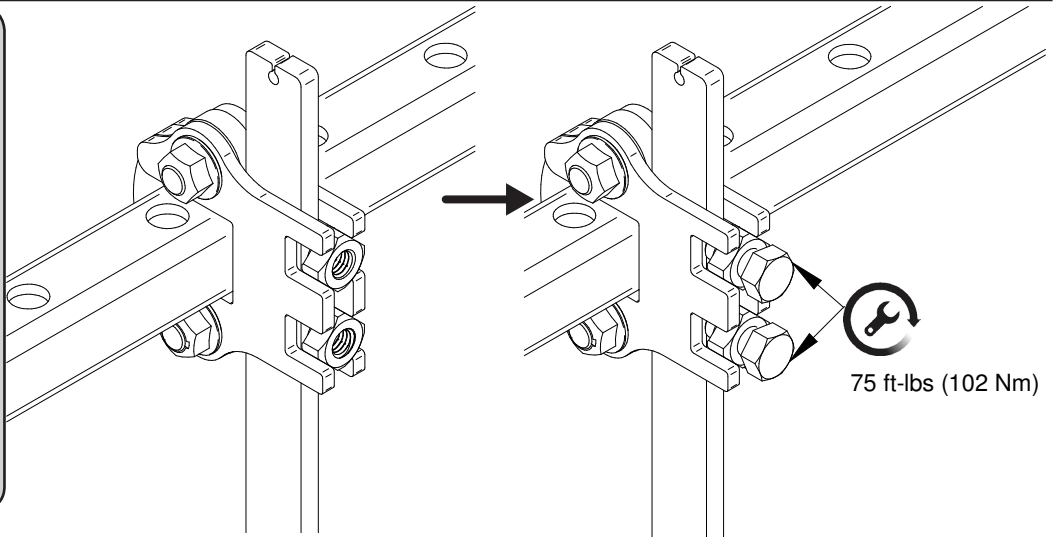
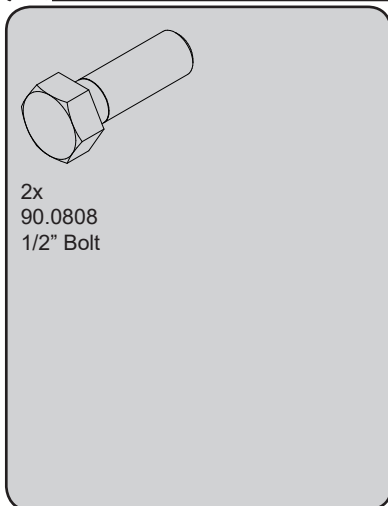


75 ft-lbs (102 Nm)

2



3/4" Wrench, 3/4" Socket, Torque Wrench



75 ft-lbs (102 Nm)

3