




1 1/2" Flat Shank Clamp Assembly AA-9055

Go to www.tilmor.com/resources for complete parts list, additional resources and replacement part ordering.

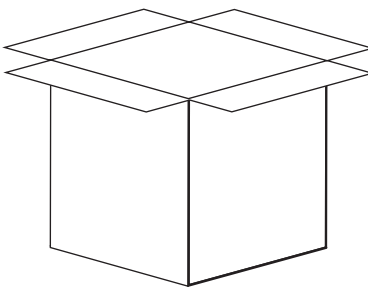
Release Date: 03/30/2021
Document Number: 12-70011
Revision Number: 01

ATTENTION
Review safety information before operation.


Tools	
	3/4" Wrench
	3/4" Socket
	Torque Wrench

Installation Time (estimated) 15 minutes

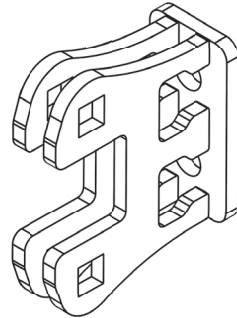
REQUIRED PARTS



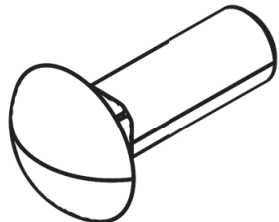
=



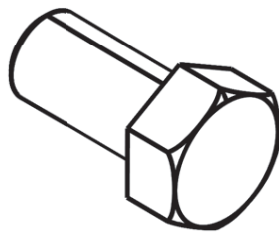
1x
AA-1127
Plate, Flat
Shank Clamp



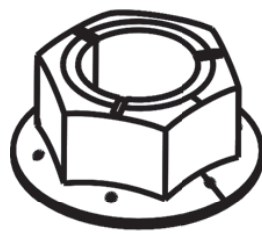
1x
AA-6038
Bracket, Flat
Shank Clamp



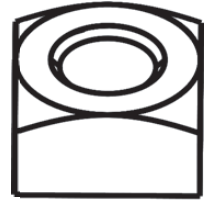
2x
97-0812
1/2"- 13 x 1-1/2"
Carriage Bolt



2x
90-0810
1/2"-13 USS x 1-1/4"
Bolt

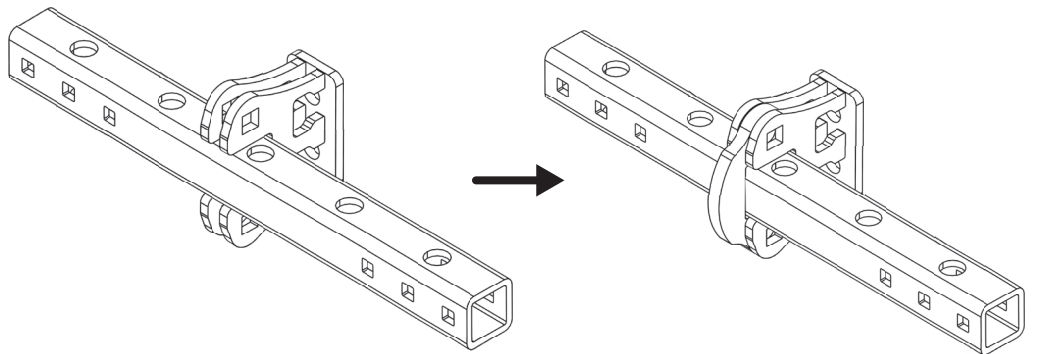
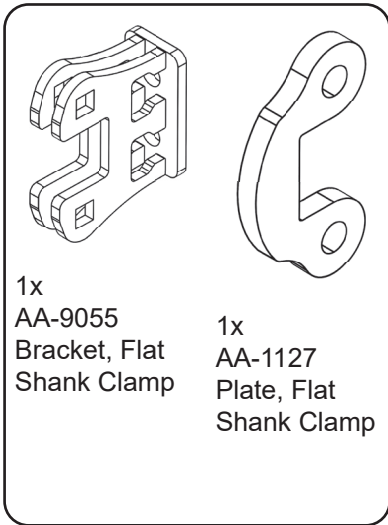


2x
99-E0103
1/2"-13
Flange Nut



2x
99-E0151
1/2"-13 ZP
Square Nut

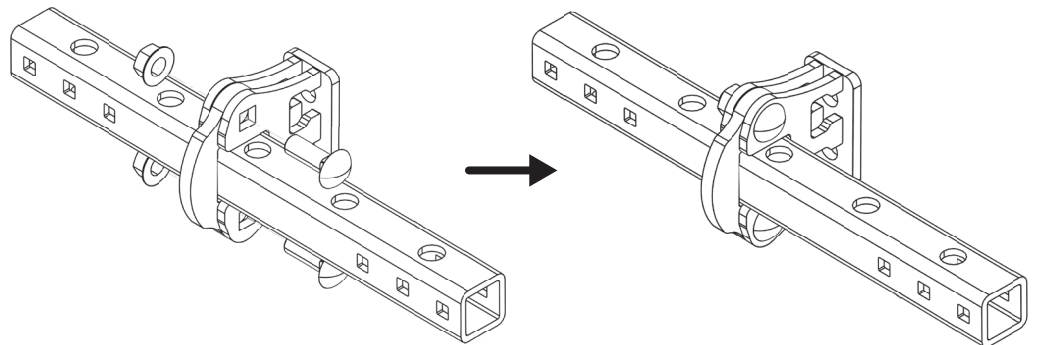
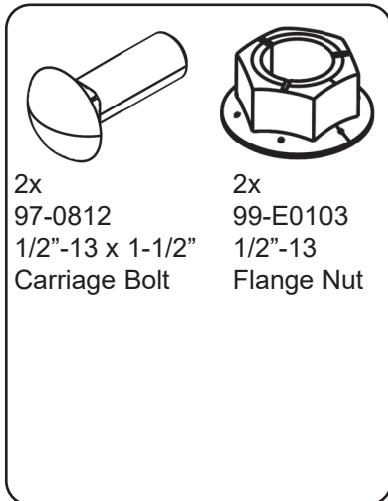
ASSEMBLY



1



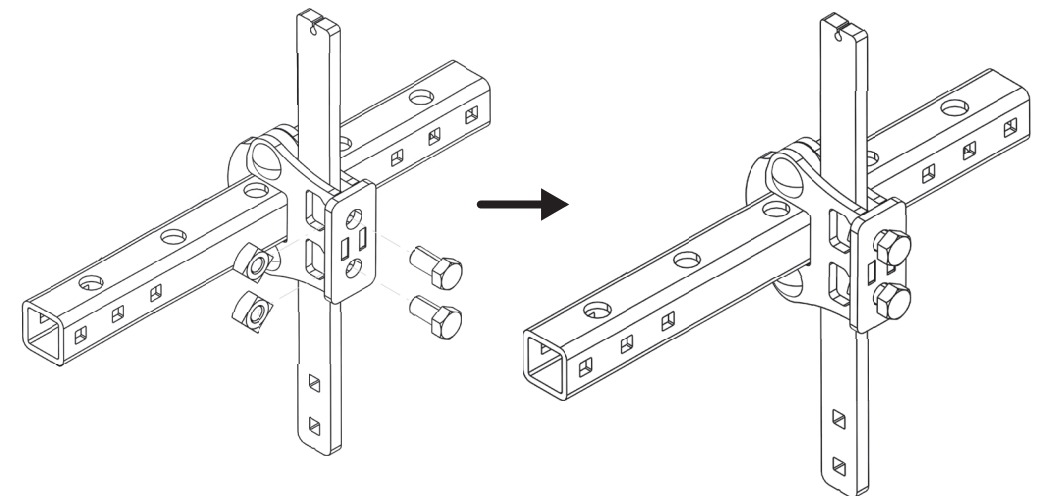
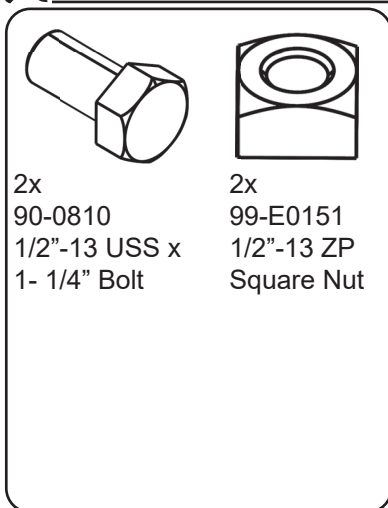
3/4" Wrench, 3/4" Socket, Torque Wrench



2



3/4" Wrench, 3/4" Socket, Torque Wrench



3