




1-1/2" Tube Round Shank Clamp AA-9062

Go to www.tilmor.com/resources for complete parts list, additional resources and replacement part ordering.

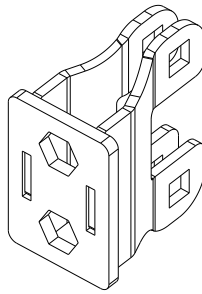
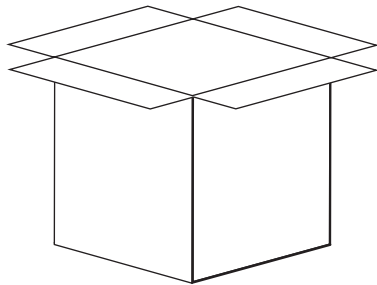
Release Date: 02/07/2019
Document Number: 12-70016
Revision Number: 03

ATTENTION
Review safety information before operation.

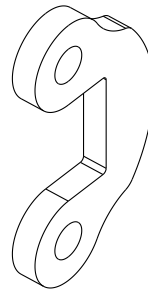
Tools	
	3/4" Wrench
	3/4" Socket

Installation Time (estimated) **15 minutes**

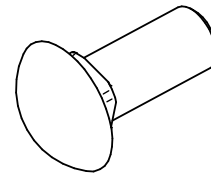
REQUIRED PARTS



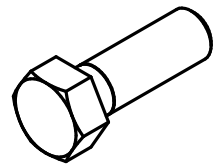
1x
AA-6044
Bracket,
1-1/2" Tube
Round Shank
Clamp



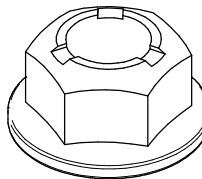
1x
AA-1127
Plate, Flat
Shank Clamp



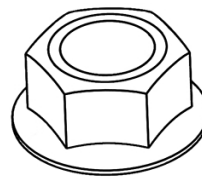
2x
97-0812
Carriage Bolt
1/2-13 x 1-1/2



2x
90-0812
1/2" X 1-1/2"
Bolt

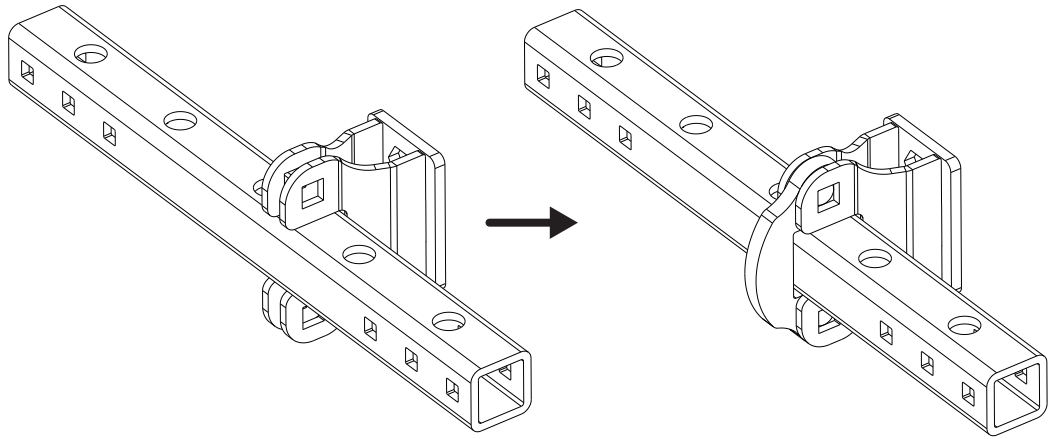
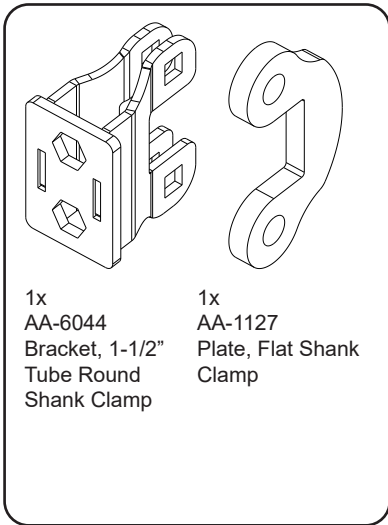


2x
99-E0103
1/2" Locking-
Flange Nut



2x
99-SF08
1/2" SRF Nut

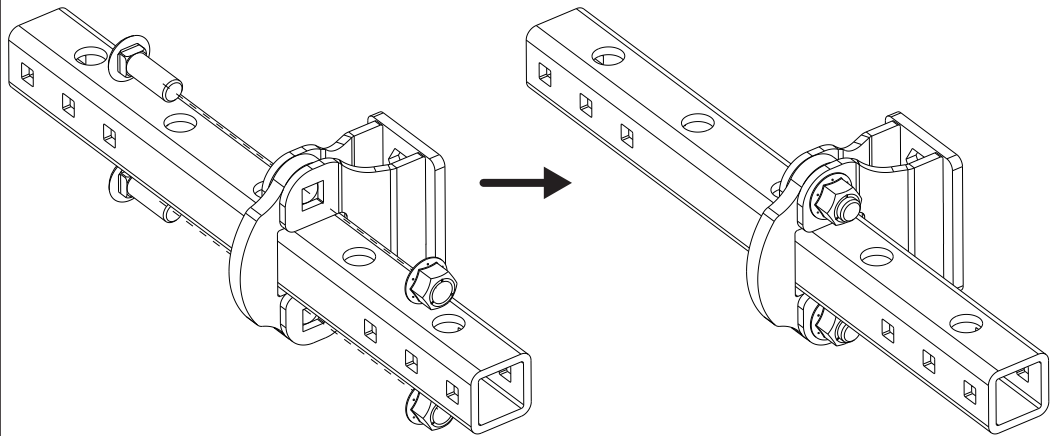
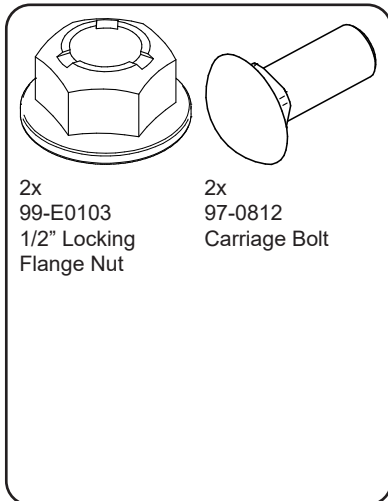
ASSEMBLY



1



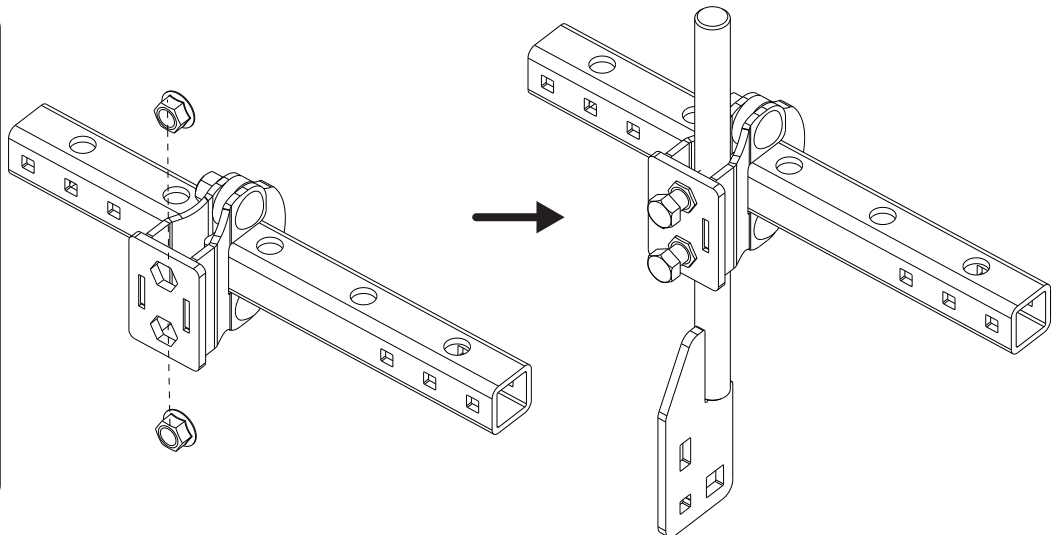
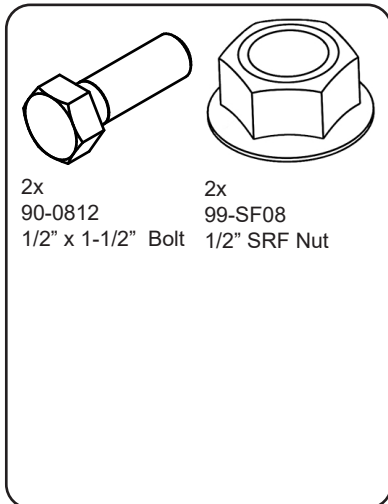
3/4" Wrench, 3/4" Socket



2



3/4" Wrench, 3/4" Socket



3