




1-1/2" Tube Round Shank Clamp AA-9062

Go to www.tilmor.com/resources for complete parts list, additional resources and replacement part ordering.

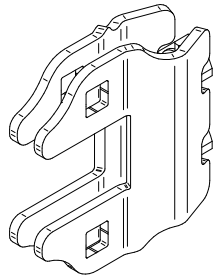
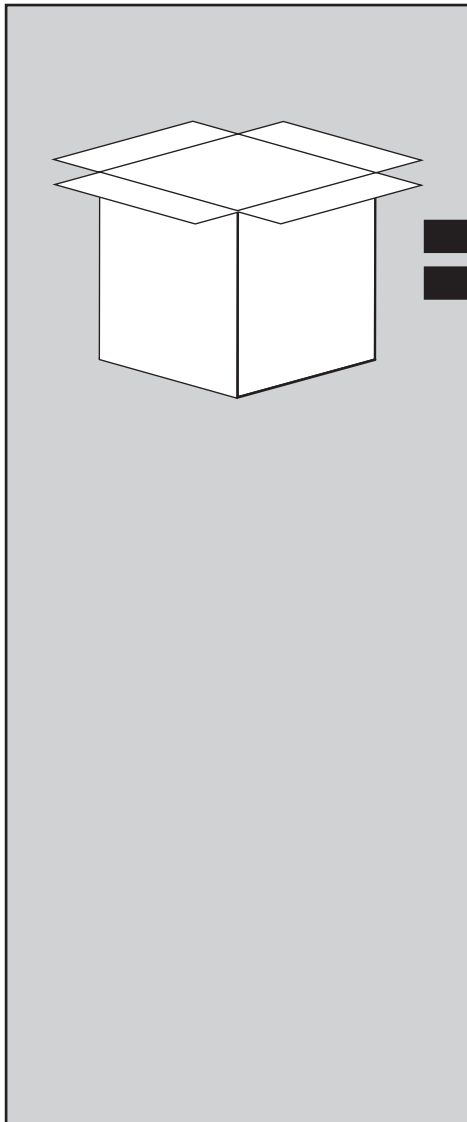
Release Date: 02/07/2019
Document Number: 12.70016
Revision Number: 00

ATTENTION
Review safety information before operation.

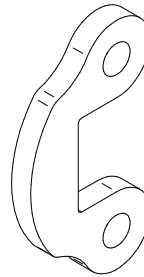
Tools	
	3/4" Wrench
	3/4" Socket
	Torque Wrench

Installation Time (estimated) 15 minutes

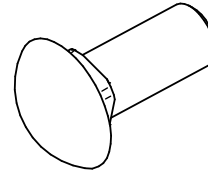
REQUIRED PARTS



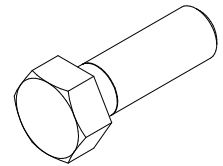
1x
AA-6044
Bracket,
1-1/2" Tube
Round Shank
Clamp



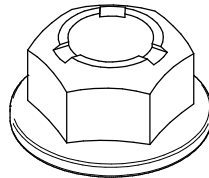
1x
AA-1127
Plate, Flat
Shank Clamp



2x
97.0812
Carriage Bolt

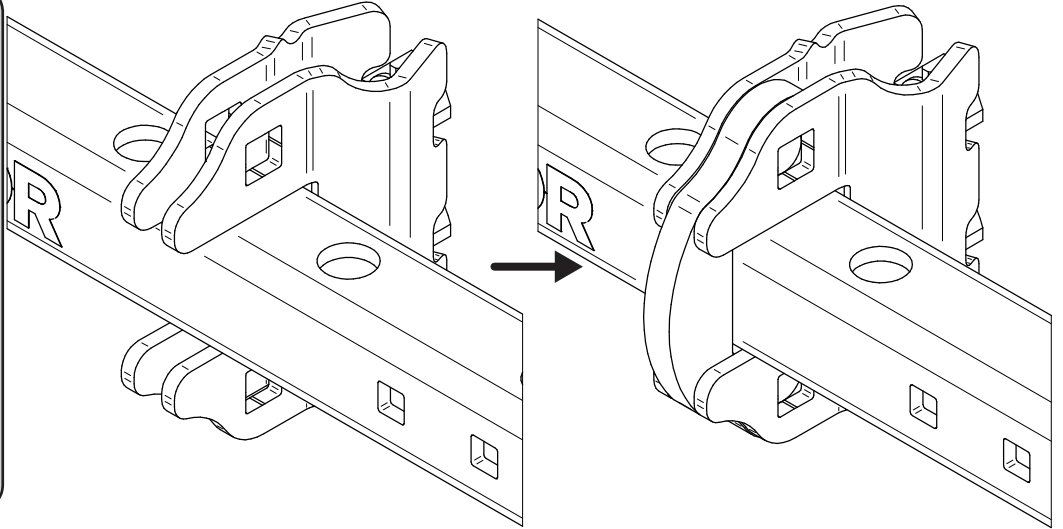
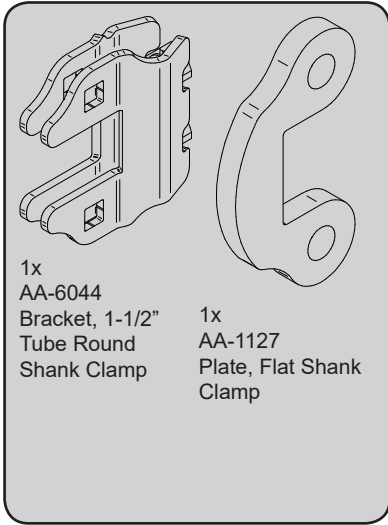


2x
90.0810
1/2" Bolt



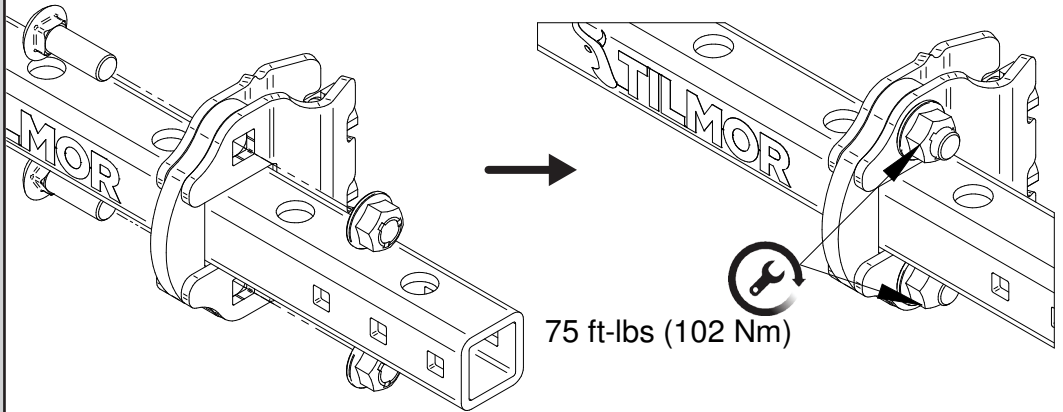
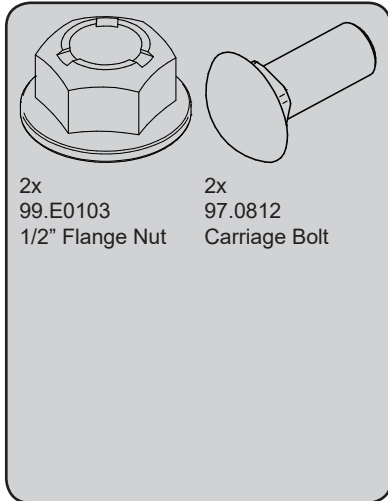
2x
99.E0103
1/2" Flange
Nut

ASSEMBLY



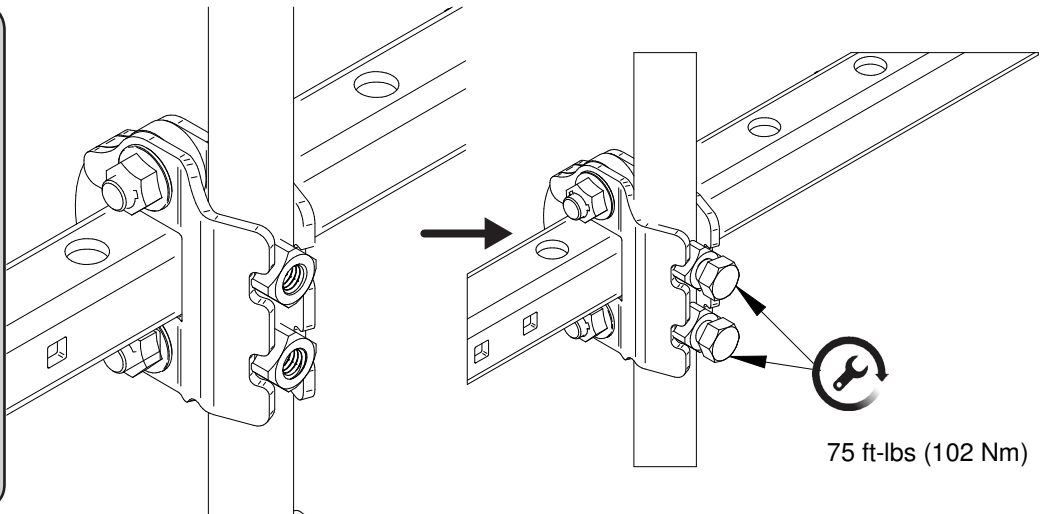
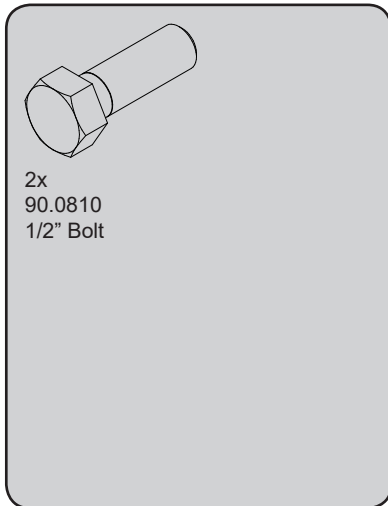
1

 3/4" Wrench, 3/4" Socket, Torque Wrench



2

 3/4" Wrench, 3/4" Socket, Torque Wrench



3