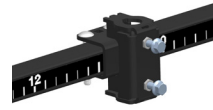




# Round Shank Clamp Installation AA-9033



Release Date: 11/16/2018  
Document Number: 12.70002  
Revision Number:

Go to [www.tilmor.com/resources](http://www.tilmor.com/resources) for complete parts list, additional resources and replacement part ordering.



## Tools

- 3/4" wrench
- 3/4" socket
- Ratchet
- Torque wrench



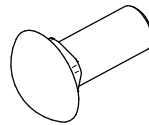
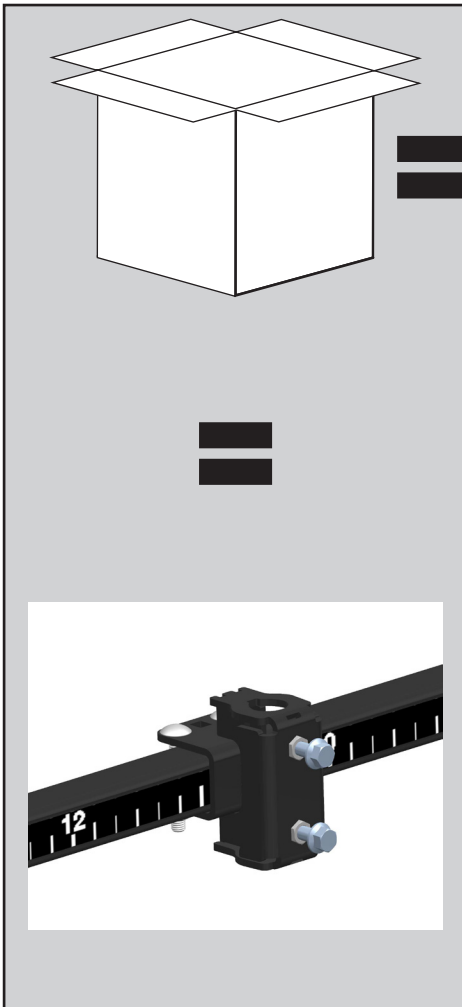
## ATTENTION

Review safety information before operation.

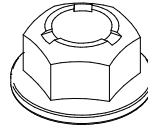
*Installation Time (estimated)*

*10 minutes*

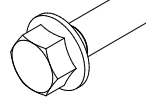
## REQUIRED PARTS



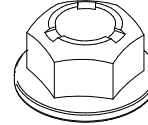
2x  
97.0828  
1/2" Carriage  
Bolt



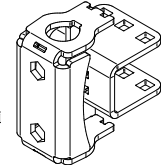
2x  
99.E0103  
1/2" Locking  
Flange Nut



2x  
91.0812  
1/2" Flange  
Bolt



2x  
99.SF08NF-8  
1/2" Flange  
Nut



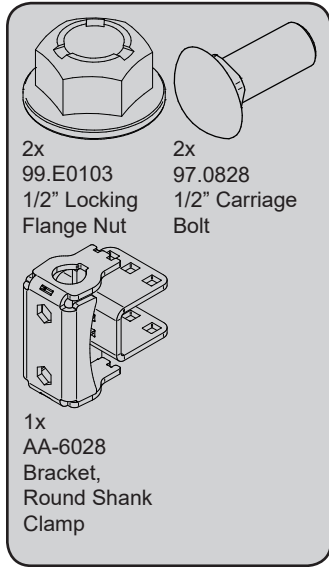
1x  
AA-6028  
Bracket,  
Round Shank  
Clamp



The flange nuts provided are the same size. However, one set of flange nuts has a fine thread while the other has a coarse thread. Ensure that the coarse thread flange nuts are used with the coarse thread carriage bolts. Failure to observe this caution can result in damage to the hardware.

# ROUND SHANK CLAMP INSTALLATION

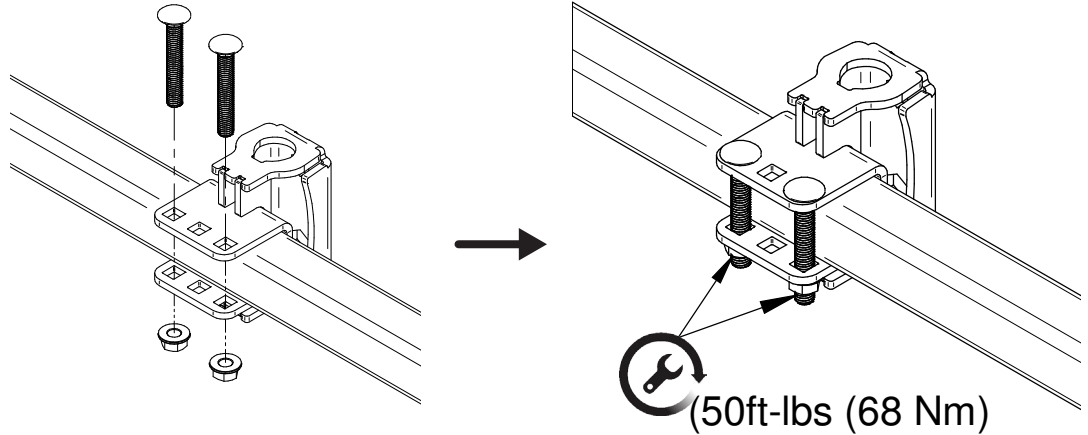
 3/4" socket, Torque Wrench



2x  
99.E0103  
1/2" Locking  
Flange Nut

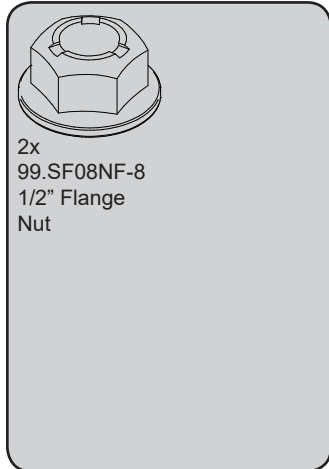
2x  
97.0828  
1/2" Carriage  
Bolt

1x  
AA-6028  
Bracket,  
Round Shank  
Clamp

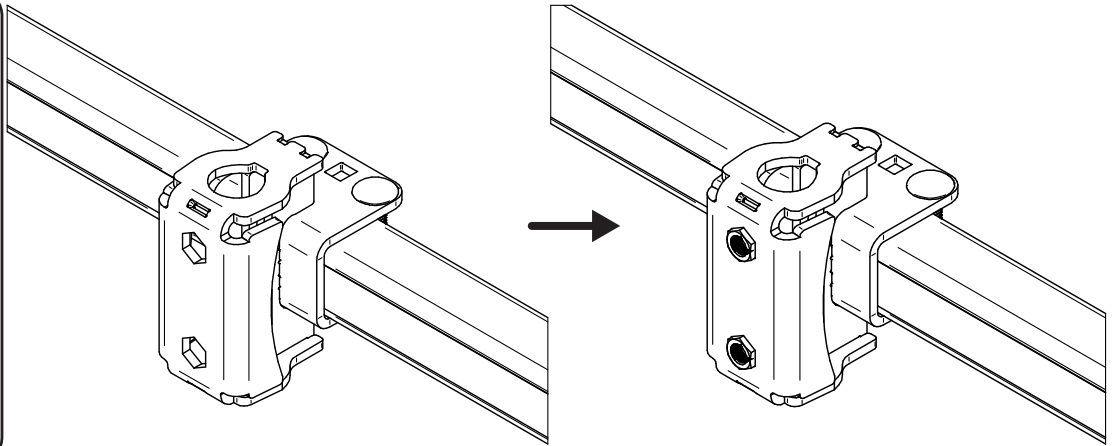


The flange nuts provided are the same size. However, one set of flange nuts has a fine thread while the other has a coarse thread. Ensure that the coarse thread flange nuts are used with the coarse thread carriage bolts. Failure to observe this caution can result in damage to the hardware.


1

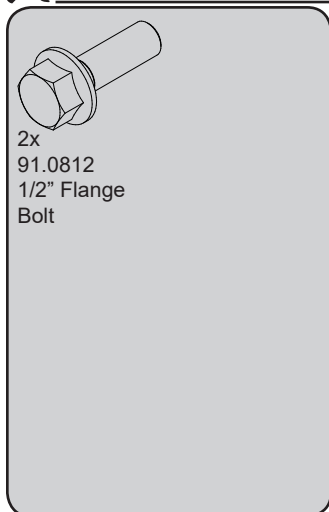


2x  
99.SF08NF-8  
1/2" Flange  
Nut

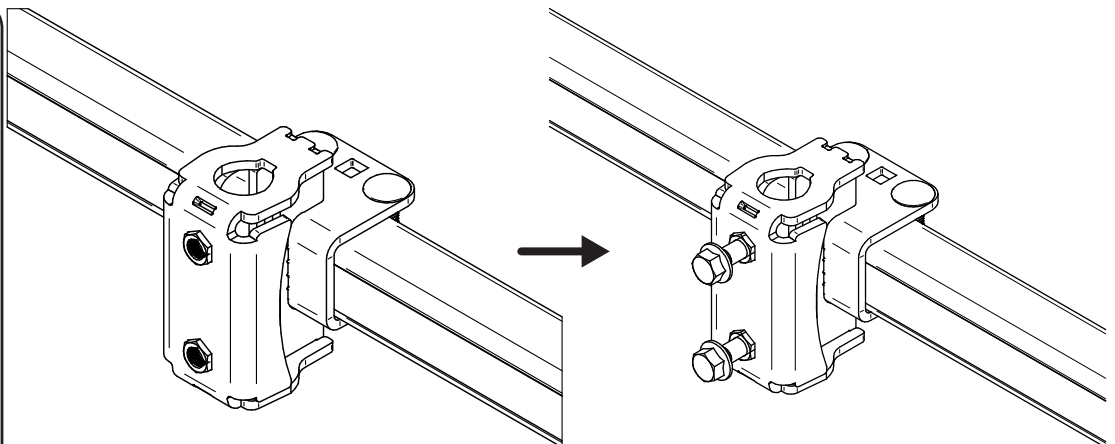


2

 3/4" wrench



2x  
91.0812  
1/2" Flange  
Bolt



The 1/2" flange bolts should be installed hand tight. When a round shank is installed through the clamp the 1/2" flange bolts will be torqued to 90 ft-lbs (122 Nm).

3